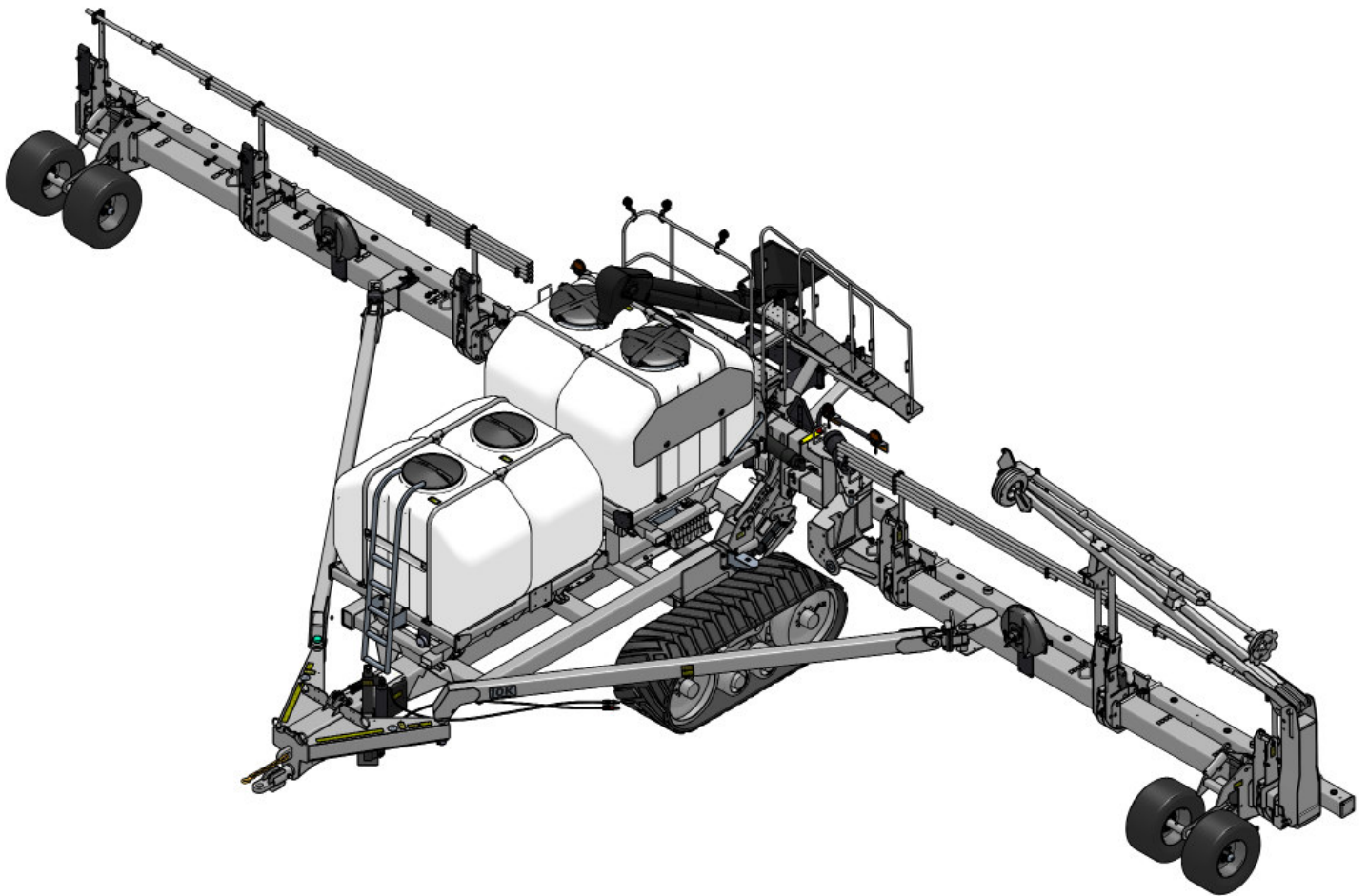


10K-24R-30 PLANTER BAR
Serial No.



I would like to thank you for purchasing a Väderstad Seeding System.

Your new Väderstad implement includes innovative features like the iCon™ Wireless Control System, electrically driven meters, wireless blockage monitor and individual compartment load cells. I'm confident it will take your seeding operation to a new level of precision.

However, our work doesn't end at delivery. If you have questions about your seeder or if you experience any issues, I encourage you to contact your Väderstad dealer first. We provide our dealer network with exceptional support in the areas of after-sales expertise and genuine Väderstad parts, to ensure they provide you with the support you need throughout the seeding season.

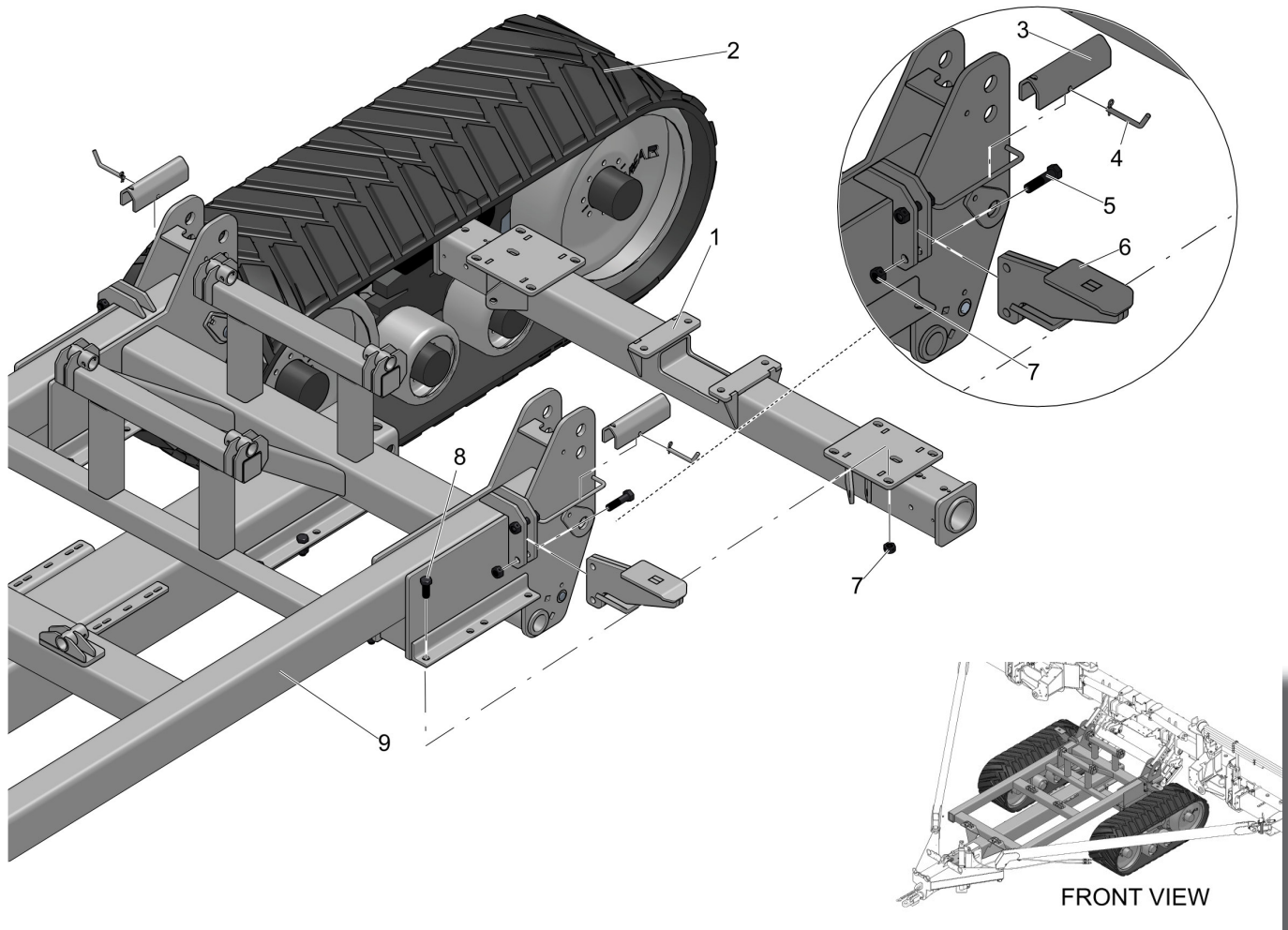
For more information, visit our website at www.vaderstad.com/ca-en. Follow us on Twitter @VaderstadCanada, where you can track current news and events in agriculture, stay connected with our company, and follow the work of fellow

Väderstad owners around the world.

Once again, from all of us at Väderstad Industries Inc., thank you.

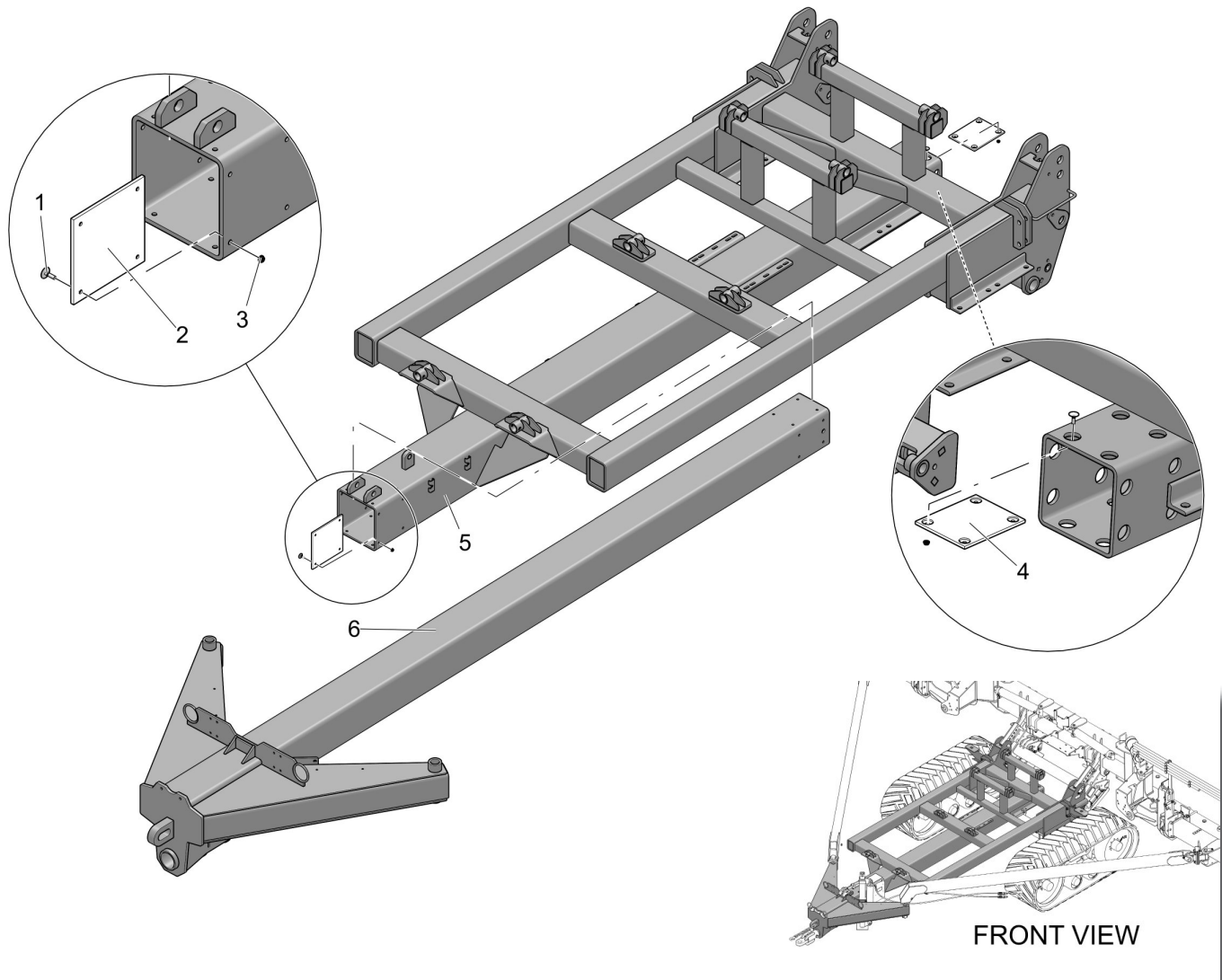
Best Regards,

Nigel Jones



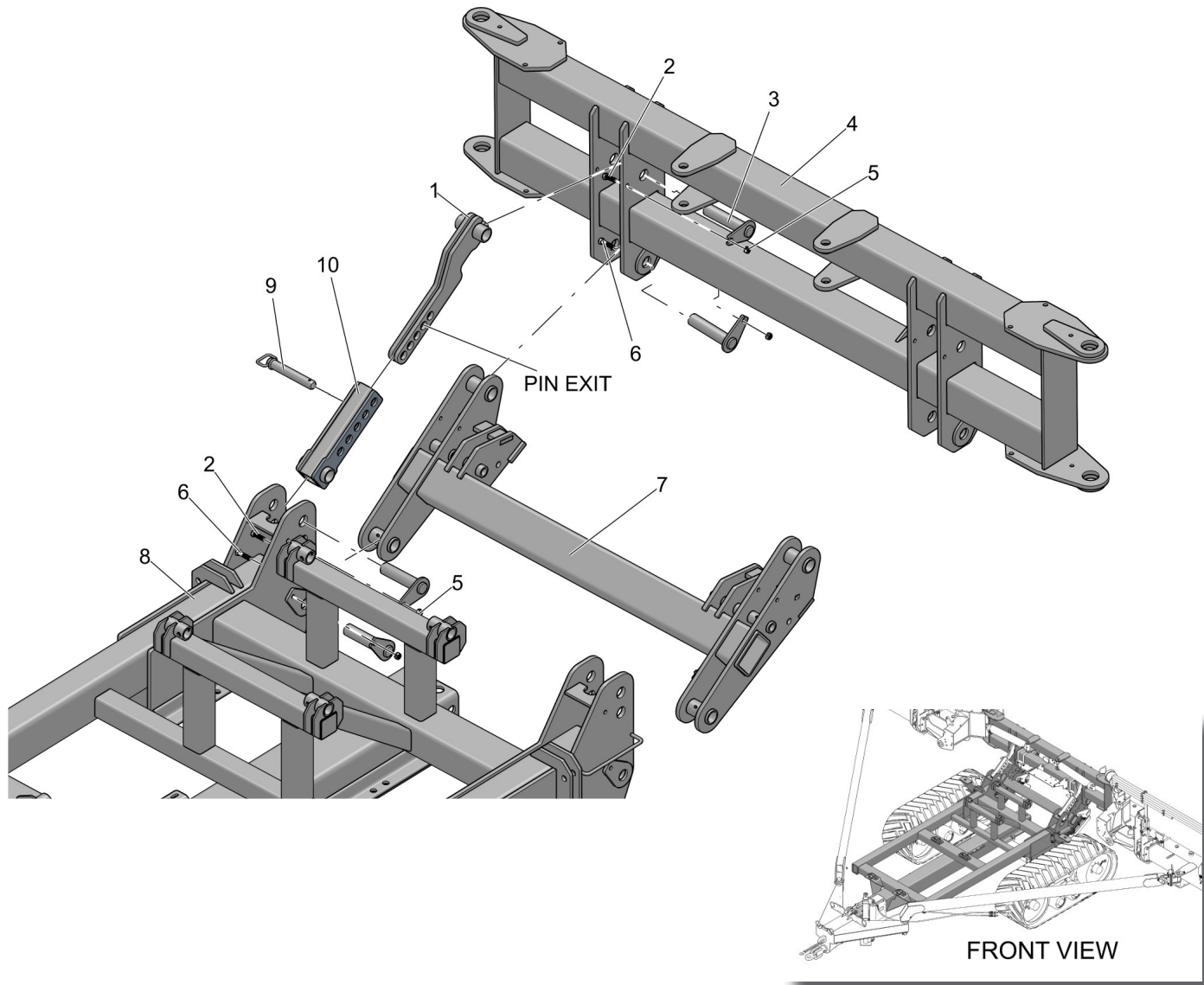
TRACKS & AXLE (60' & 66')

| ITEM | PART NUMBER | QTY | DESCRIPTION |
|------|-------------|----------|--|
| 1 | P354431 | 1 | AXLE WELD-TRACK30W 120CTR 4-1/2IN PIN (SHOWN) |
| -- | P354433 | OPTIONAL | AXLE WELD-TRACK25W 110CTR 4-1/2IN |
| 2 | P354418 | 2 | 30x67 RUBBER TRACK SYSTEM 70-3012GY1-0049 (SHOWN) |
| | P354417 | OPTIONAL | 25X67 RUBBER TRACK SYSTEM 70-2516GY |
| 3 | P241640 | 2 | 12 INCH CHANNEL LOCK |
| 4 | P234811 | 2 | 1/2 X 4 BENT PIN W/HAIR PIN |
| 5 | P88398 | 4 | BOLT-HEX: 1-8NC X 4 5ZP |
| 6 | P242184 | 2 | TRANSPORT SADDLE WELD 90FT |
| 7 | P88348 | 20 | NUT-LOCK: 2POS 1-8NC 2ZP |
| 8 | P88393 | 12 | BOLT-HEX: 1-8NC X 2-1/2 5ZP+ |
| -- | ----- | -- | TORQUE TO 650FTLBS |
| 9 | P350496CG | 1 | MAINFRAME WELD 60 & 66FT PB CHASSIS GRAY (SHOWN) |
| -- | P350496G | OPTIONAL | MAINFRAME WELD 60 & 66FT PB GREEN |
| -- | P350496 | OPTIONAL | MAINFRAME WELD 60 & 66FT PB RED |



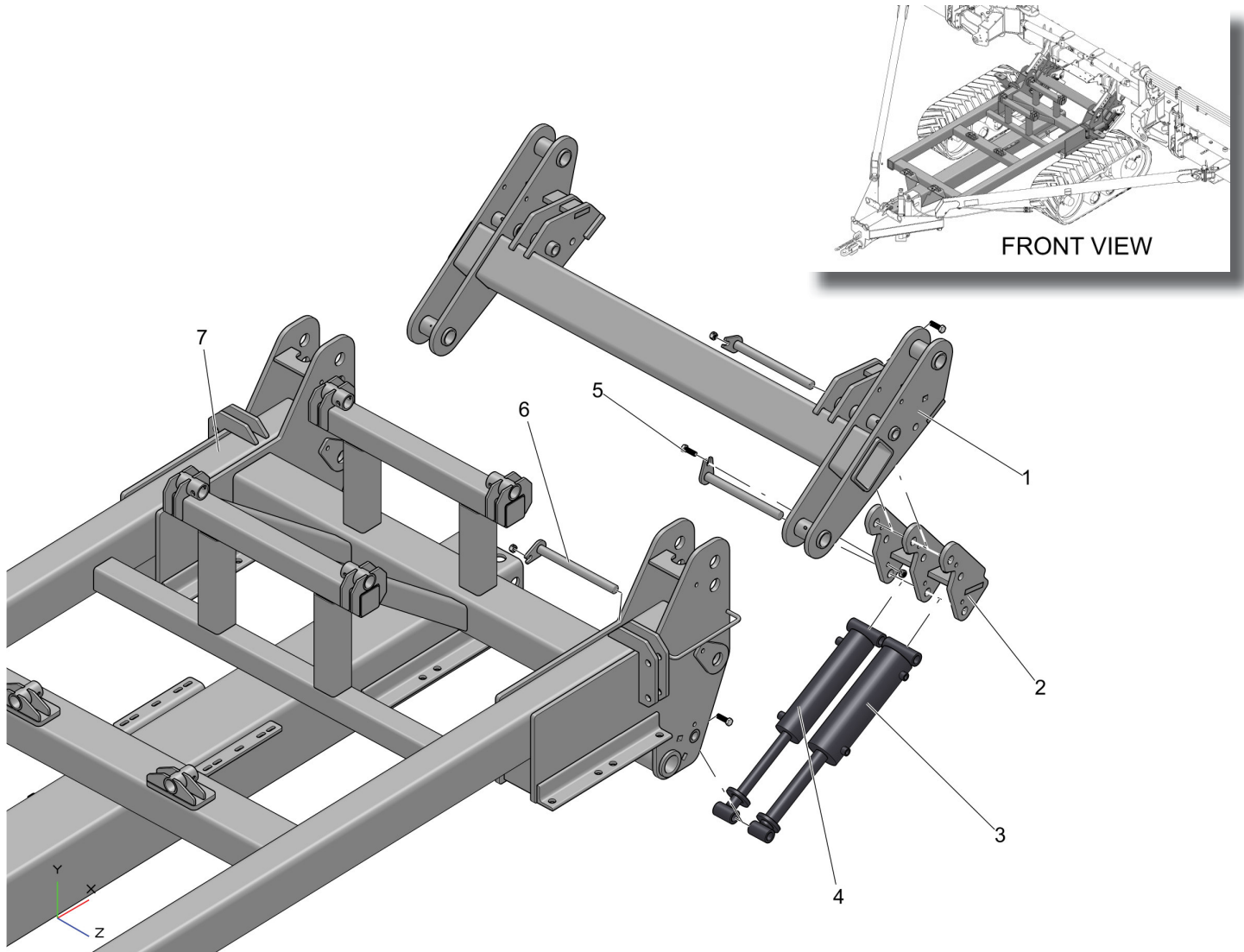
FRONT TELESCOPING TONGUE: PLASTIC SLIDES & MAIN FRAME

| ITEM | PART NUMBER | QTY | DESCRIPTION |
|------|-------------|----------|--|
| 1 | P89133 | 32 | BLT ELEV 5/16-18NCX1-1/4 FLTHD |
| 2 | P241102 | 4 | PLASTIC SLIDE 10X10 MAINFRAME |
| 3 | P88834 | 32 | NUT LK WHIZ 5/16-18NC(FLANGED) 5Z |
| 4 | P241103 | 4 | PLASTIC SLIDE 8X10 TELETONGUE |
| 5 | P350496CG | -- | MAINFRAME WELD 60 & 66FT PB CHASSIS GRAY |
| -- | P350496G | OPTIONAL | MAINFRAME WELD 60 & 66FT PB GREEN |
| -- | P350496 | OPTIONAL | MAINFRAME WELD 60 & 66FT PB RED |
| 6 | P241220 | 1 | TONGUE WELD 60FT |



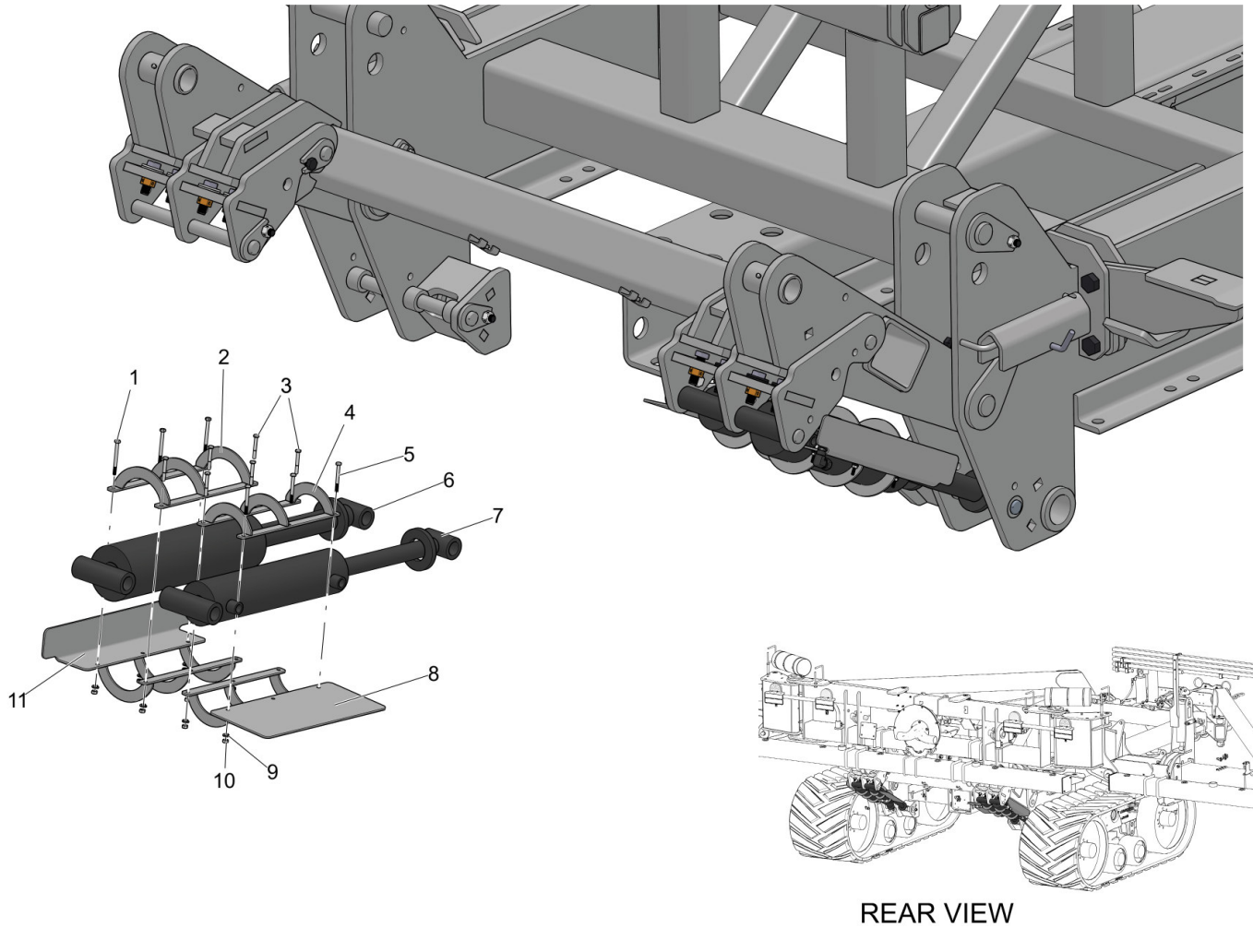
CENTER FRAME & CENTER SECTION

| ITEM | PART NUMBER | QTY | DESCRIPTION |
|------|-------------|----------|---|
| 1 | P245293 | 2 | UPPER LINK ARM WELD-INNER |
| 2 | P88294 | 4 | BOLD-HEX: 5/8-11 X 2 5ZP |
| 3 | P241182 | 8 | PIN WELD 2 DIA X 8-3/4+ |
| 4 | P241171CG | 1 | CENTER LIFT FRAME CHASSIS GRAY (SHOWN) |
| -- | P241171G | OPTIONAL | CENTER LIFT FRAME GREEN |
| -- | P241171 | OPTIONAL | CENTER LIFT FRAME RED |
| 5 | P88369 | 8 | NUT-LOCK: 2 POS 5/8-11NC 5YZP |
| 6 | P88409 | 4 | BOLD-HEX: 5/8-11 X 2-1/2 5ZP |
| 7 | P241170CG | 1 | LOWER LIFT ARM WELD CHASSIS GRAY (SHOWN) |
| -- | P241170G | OPTIONAL | LOWER LIFT ARM WELD GREEN |
| -- | P241170 | OPTIONAL | LOWER LIFT ARM WELD RED |
| 8 | P350496CG | -- | MAINFRAME WELD 60 & 66FT PB CHASSIS GRAY (SHOWN) |
| -- | P350496G | OPTIONAL | MAINFRAME WELD 60 & 66FT PB GREEN |
| -- | P350496 | OPTIONAL | MAINFRAME WELD 60 & 66FT PB RED |
| 9 | P245297 | 2 | 1-1/2DIA 3PT PIN |
| 10 | P245294 | 2 | UPPER LINK ARM WELD-OUTER |



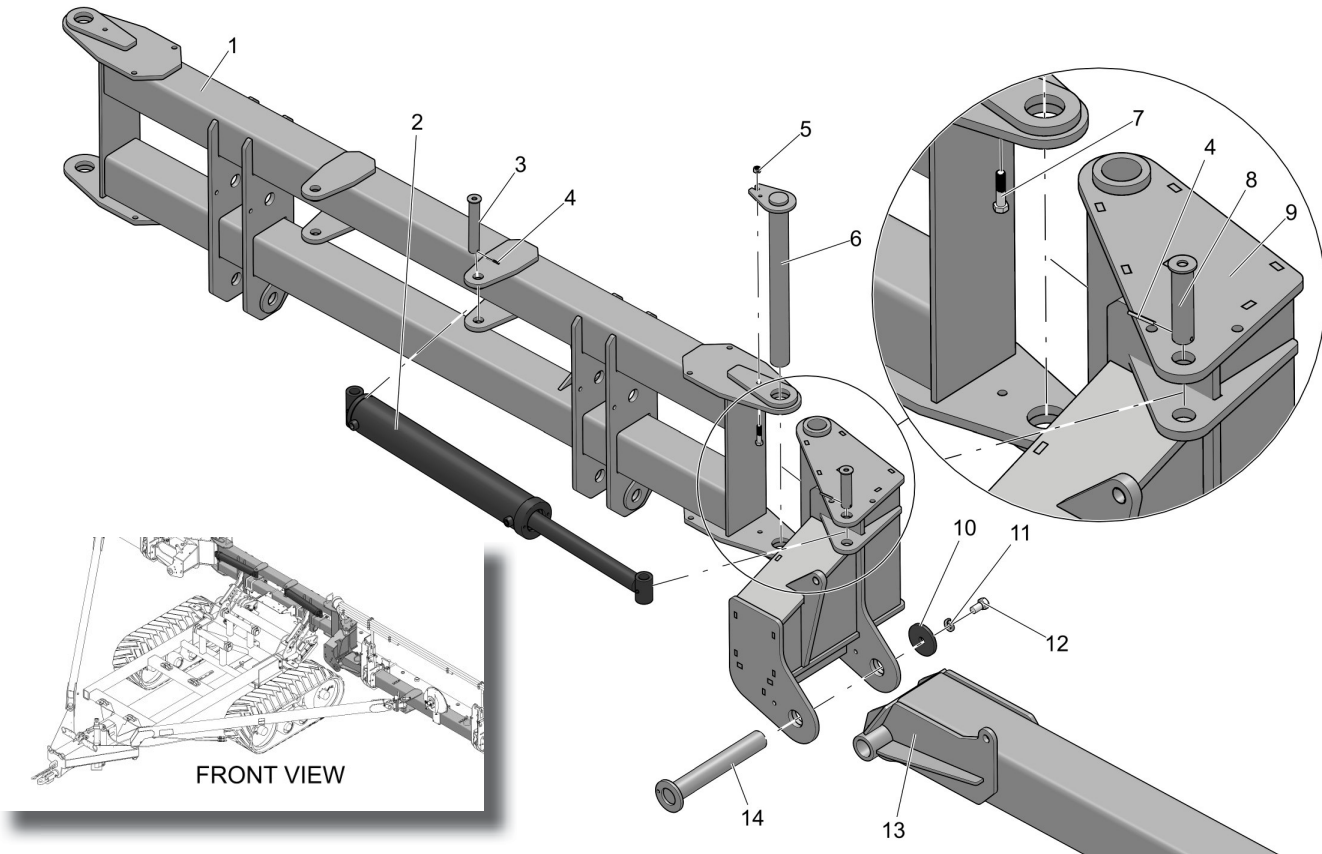
CENTER FRAME & CENTER SECTION (CYLINDER)

| ITEM | PART NUMBER | QTY | DESCRIPTION |
|------|-------------|----------|---|
| 1 | P241170CG | -- | LOWER LIFT ARM WELD CHASSIS GRAY (SHOWN) |
| -- | P241170G | OPTIONAL | LOWER LIFT ARM WELD GREEN |
| -- | P241170 | OPTIONAL | LOWER LIFT ARM WELD RED |
| 2 | P243597 | 2 | CYLINDER LINK WELD-DUAL |
| 3 | P241338 | 2 | HYD CYL 4-1/2X12 SEQ WELDED |
| -- | P242254 | 2 | SEAL KT 4-1/2X12SEQ CYL CTD |
| 4 | P243810 | 2 | HYD CYL, 3-1/2X12 SEQ WELD CYL PORT ROTATED |
| -- | P242256 | 2 | SEAL KT 3-1/2X12SEQ CYL CTD |
| 5 | P88294 | 6 | BOLD-HEX: 5/8-11 X 2 5ZP |
| 6 | P243803 | 6 | HINGE PIN WELD 1-1/4DIA X 14-1/2 |
| 7 | P350496CG | -- | MAINFRAME WELD 60 & 66FT PB CHASSIS GRAY (SHOWN) |
| -- | P350496G | OPTIONAL | MAINFRAME WELD 60 & 66FT PB GREEN |
| -- | P350496 | OPTIONAL | MAINFRAME WELD 60 & 66FT PB RED |



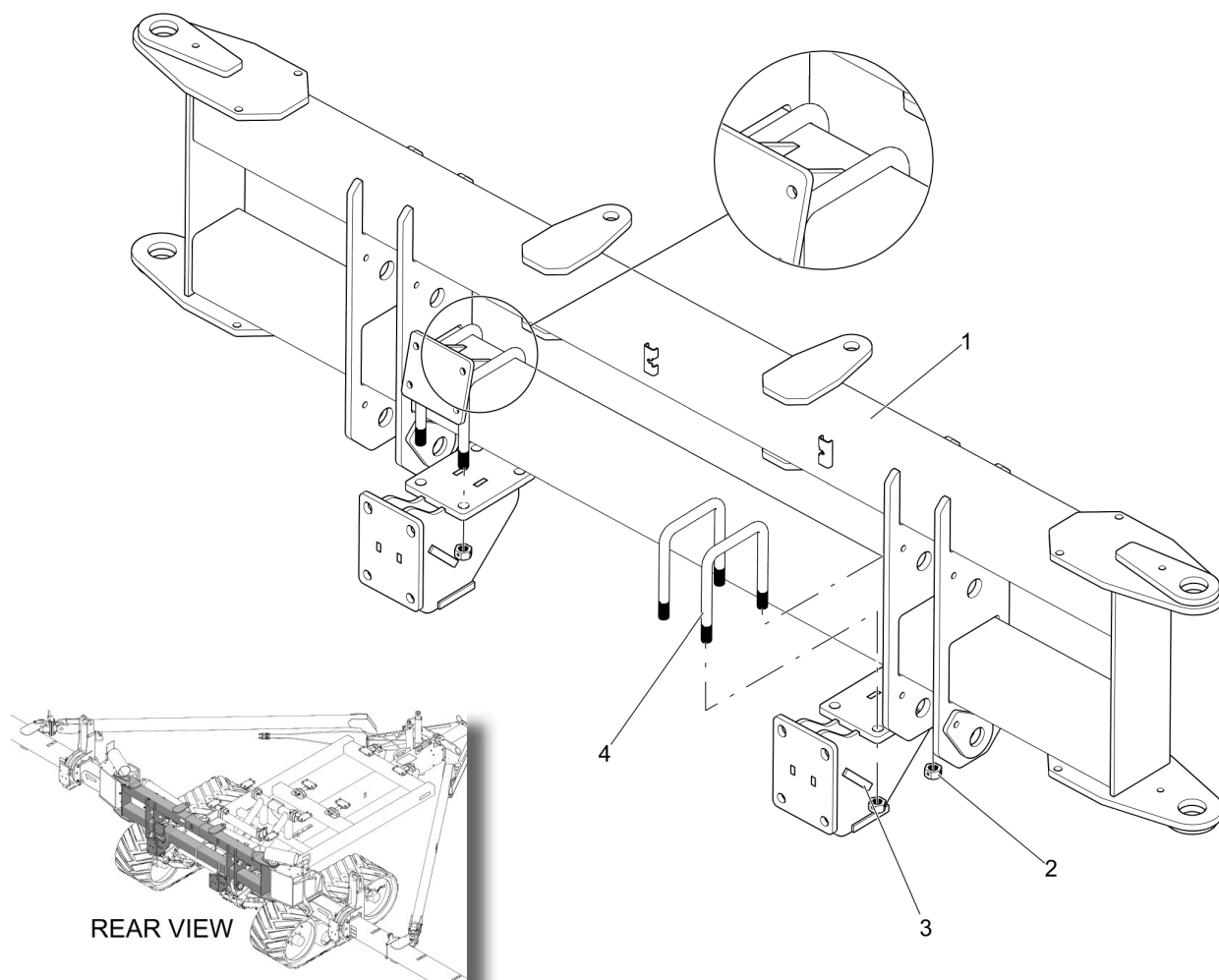
HYDRAULIC CYLINDER GUARDS FOR 120 AXLE (2 PLACES)

| ITEM | PART NUMBER | QTY | DESCRIPTION |
|------|-------------|-----|-------------------------------------|
| 1 | P88285 | 3 | BOLT-HEX: 1/4-20NC X 3 5Z |
| 2 | P353256 | 1 | 4-1/2 DIA CLAMP WELD TOP HALF |
| 3 | P89058 | 6 | BOLT-HEX: 1/4-20NC X 2 5Z |
| 4 | P353260 | 1 | 3-1/2 DIA CLAMP WELD-TOP HALF |
| 5 | P88171 | 3 | BOLT-HEX: 1/4-20NC X 2-1/2 5ZP |
| 6 | P241338 | 1 | HYD CYL 4-1/2 X 12 SEQ WELDED |
| 7 | P243810 | 1 | 3-1/2X12SEQ HYD WELD CYL PORT ROTAT |
| 8 | P353261 | 1 | 3-1/2 DIA CLAMP WELD BOTTOM HALF |
| 9 | P88262 | 12 | WASHER-LOCK: 1/4ID (5/16ACT) ZP |
| 10 | P88172 | 12 | NUT-HEX: 1/4-20NC 5ZP |
| 11 | P353257 | 1 | 4-1/2 DIA CLAMP WELD-BOTTOM HALF |



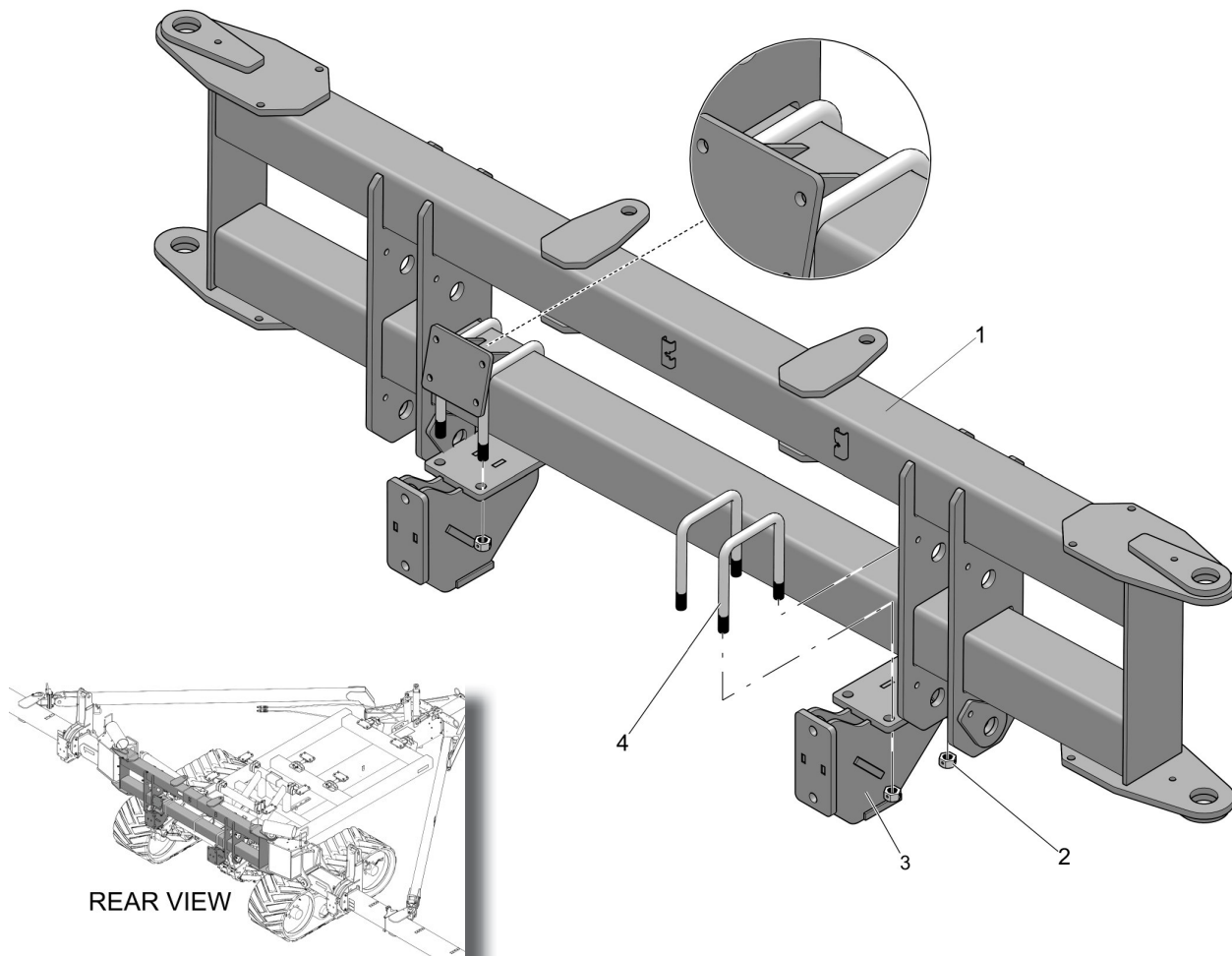
CENTER LIFT FRAME ASSEMBLY

| ITEM | PART NUMBER | QTY | DESCRIPTION |
|------|-------------|----------|---|
| 1 | P241171CG | -- | CENTER LIFT FRAME CHASSIS GRAY (SHOWN) |
| -- | P241171G | OPTIONAL | CENTER LIFT FRAME GREEN |
| -- | P241171 | OPTIONAL | CENTER LIFT FRAME RED |
| 2 | P353240 | 2 | 5X30 HYDRAULIC CYLINDER-SAE |
| 3 | P241323 | 2 | PIN WELD 1-1/2 DIA X 9-3/16 |
| 4 | P42484 | 4 | PIN-ROLL: 1/4 X 2-1/4 ZP |
| 5 | P88369 | 8 | NUT-LOCK: 2 POS 5/8-11NC 5YZP |
| 6 | P241188 | 2 | PIN WELD 2-3/4 DIA X 28-1/4 |
| 7 | P88949 | 2 | BOLT-HEX: 5/8-11NC X 2-3/4 8YZ |
| 8 | P241186 | 2 | PIN WELD 1-1/2 DIA X 6-1/4 |
| 9 | P360490CG | 1 | MAIN WING HINGE WELD-LEFT CHASSIS GRAY (SHOWN) |
| -- | P360491CG | 1 | MAIN WING HINGE WELD-RIGHT CHASSIS GRAY |
| -- | P360490G | OPTIONAL | MAIN WING HINGE WELD-LEFT GREEN |
| -- | P360491G | OPTIONAL | MAIN WING HINGE WELD-RIGHT GREEN |
| -- | P360491 | OPTIONAL | MAIN WING HINGE WELD-LEFT RED |
| -- | P360491 | OPTIONAL | MAIN WING HINGE WELD-RIGHT RED |
| 10 | P357873 | 2 | WASHER-HORIZONTAL WING PIN PAINTED |
| 11 | P88617 | 2 | WSHR HLK 5/8ID (11/16ACT) Z |
| 12 | P88400 | 2 | BOLT-HEX: 1-8NC X 2 5ZP |
| 13 | P360499CG | 1 | WING WELD - LEFT 24R30 60FT CHASSIS GRAY (SHOWN) |
| -- | P360500CG | 1 | WING WELD - RIGHT 24R30 60FT CHASSIS GRAY |
| -- | P360499G | OPTIONAL | WING WELD - LEFT 24R30 60FT GREEN |
| -- | P360500G | OPTIONAL | WING WELD - RIGHT 24R30 60FT GREEN |
| -- | P360499 | OPTIONAL | WING WELD - LEFT 24R30 60FT RED |
| -- | P360500 | OPTIONAL | WING WELD - RIGHT 24R30 60FT RED |
| 14 | P360494 | 2 | PIN WELD 2-3/4 DIA X 19 WING HINGE |



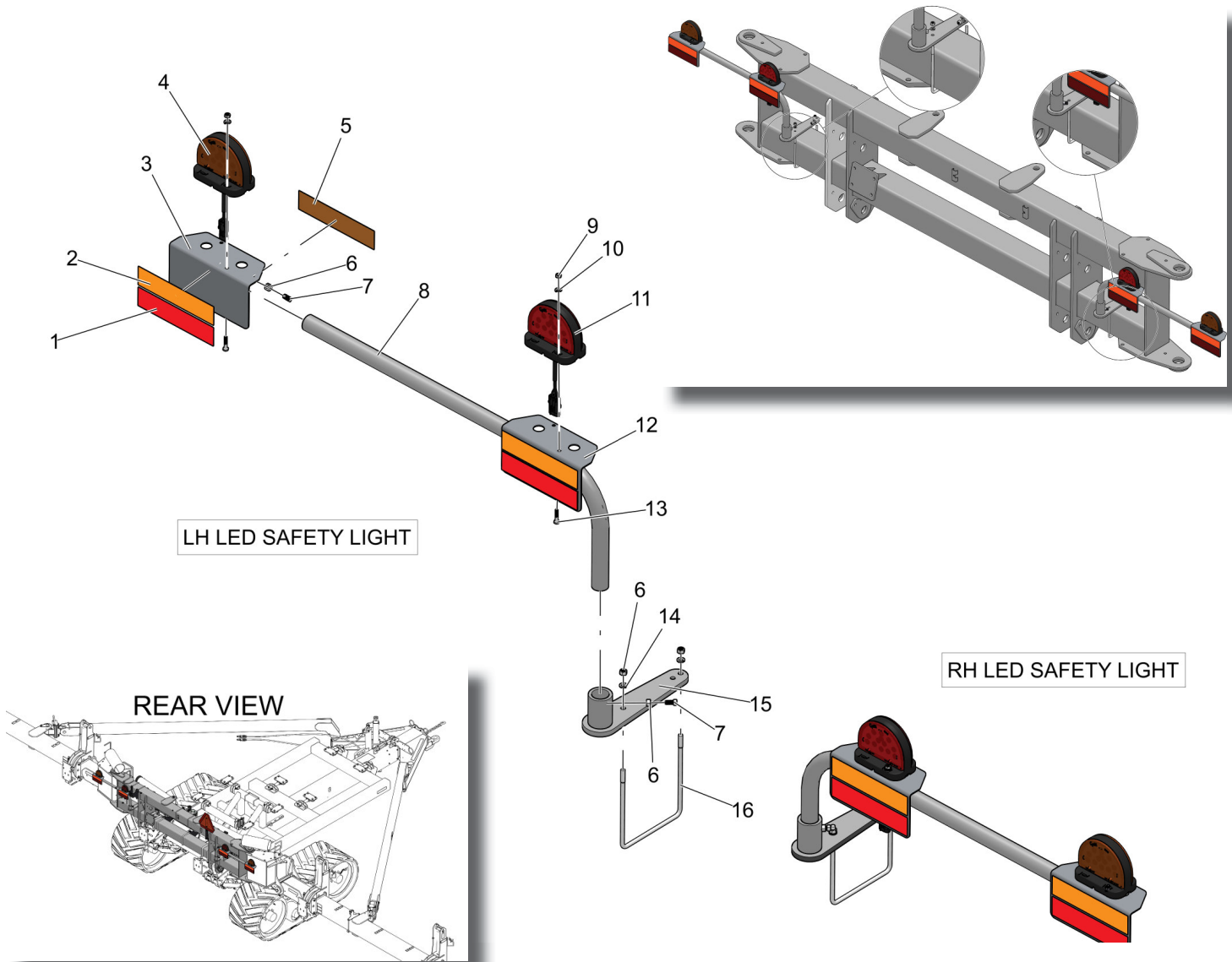
CENTER SECTION-TOOLBAR MOUNT

| ITEM | PART NUMBER | QTY | DESCRIPTION |
|------|-------------|----------|---|
| 1 | P241171CG | -- | CENTER LIFT FRAME CHASSIS GRAY (SHOWN) |
| -- | P241171G | OPTIONAL | CENTER LIFT FRAME GREEN |
| -- | P241171 | OPTIONAL | CENTER LIFT FRAME RED |
| 2 | P88348 | 8 | NUT-LOCK: 2 POS 1-8NC 2ZP |
| 3 | P360116 | 2 | MOUNTING BRKT WELD-CENTER TB SEC BO |
| 4 | P241344 | 4 | BLT-U 1-8NC X 7 X 9-1/2 Z |



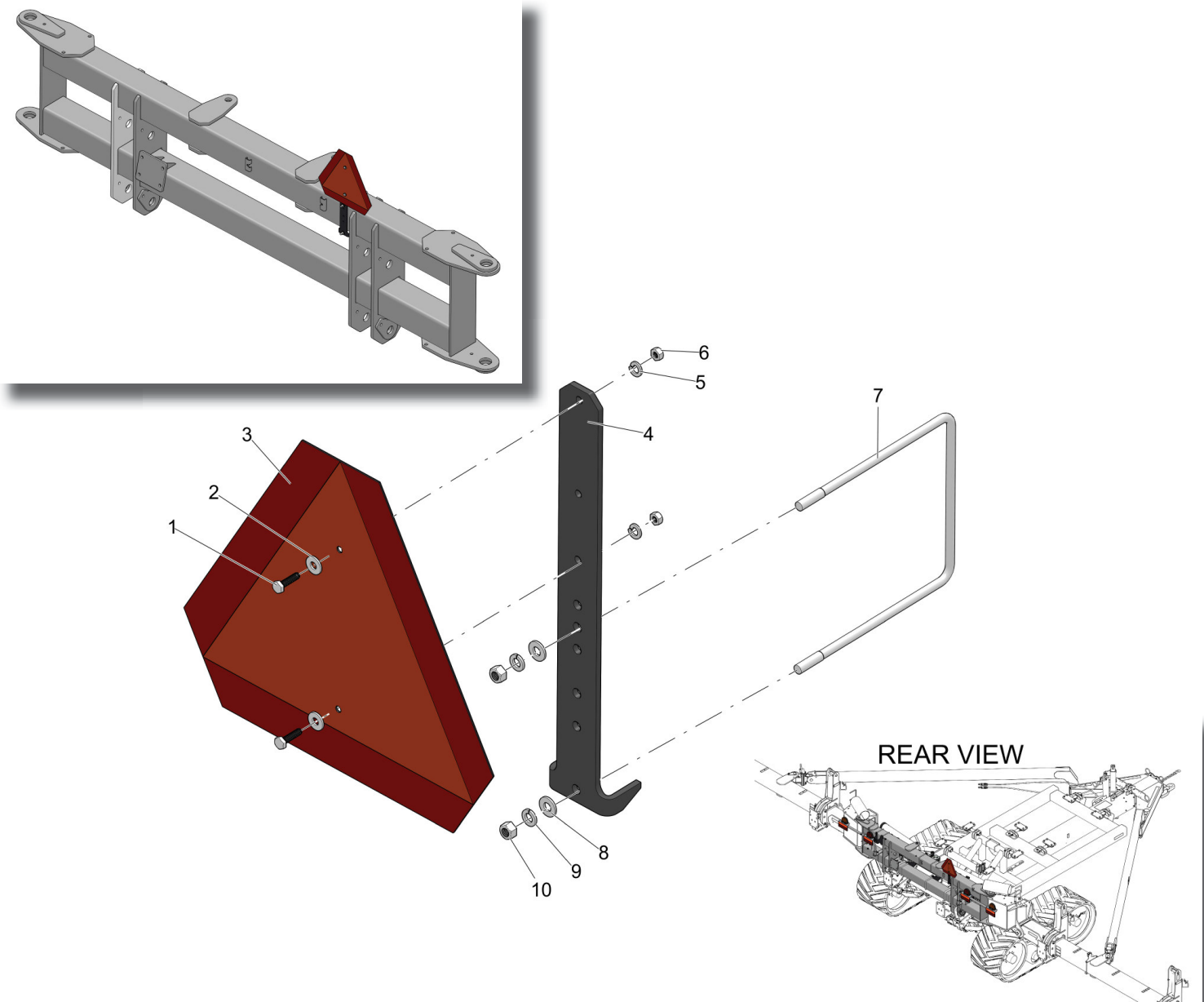
CENTER SECTION-TOOLBAR MOUNT (SINGLE STYLE BOLT BAR)

| ITEM | PART NUMBER | QTY | DESCRIPTION |
|------|-------------|----------|---|
| 1 | P241171CG | -- | CENTER LIFT FRAME CHASSIS GRAY (SHOWN) |
| -- | P241171G | OPTIONAL | CENTER LIFT FRAME GREEN |
| -- | P241171 | OPTIONAL | CENTER LIFT FRAME RED |
| 2 | P88348 | 8 | NUT-LOCK: 2 POS 1-8NC 2ZP |
| 3 | 360464 | 2 | MOUNTING BRKT WELD-CENTER TB SEC SINGLE BOLT MNT CG |
| 4 | P241344 | 4 | BLT-U 1-8NC X 7 X 9-1/2 Z |



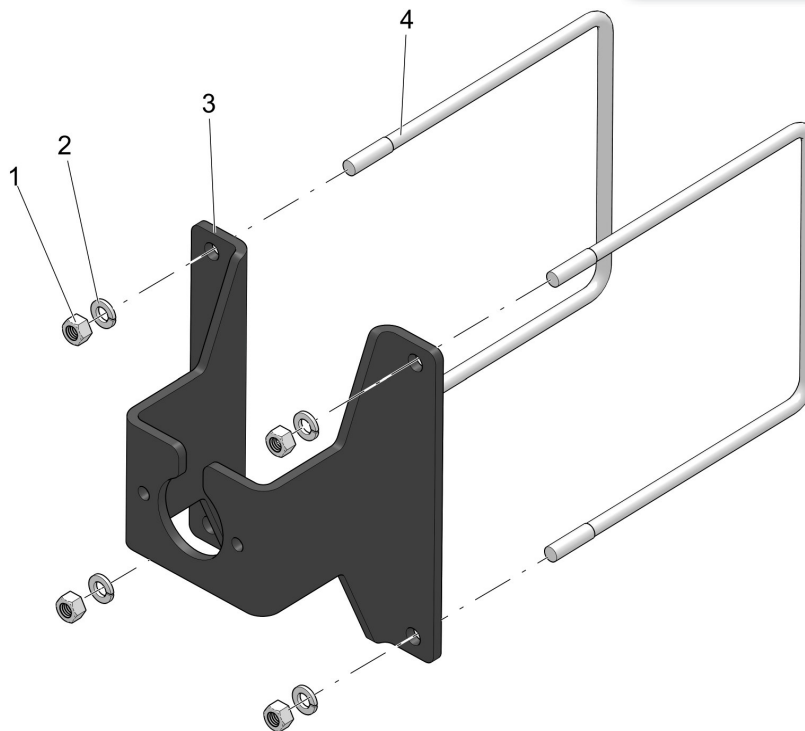
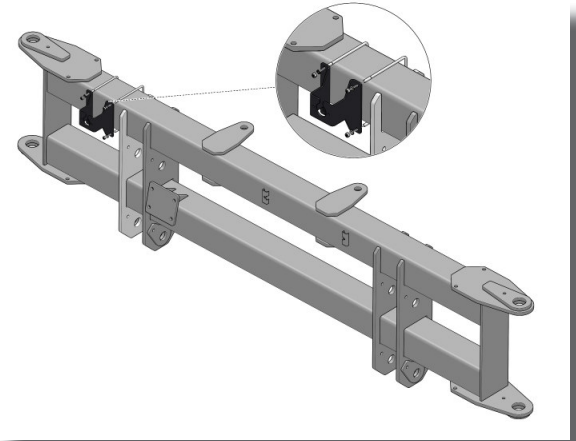
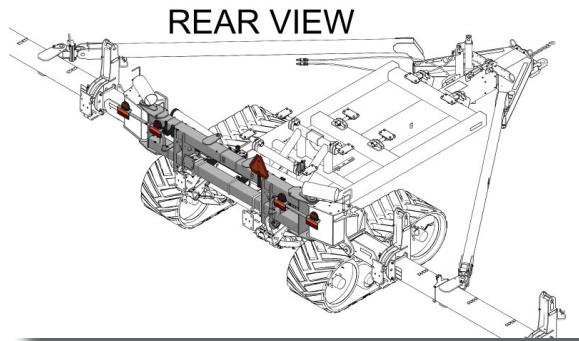
LED SAFETY LIGHTS

| ITEM | PART NUMBER | QTY | DESCRIPTION |
|------|-------------|-----|--|
| 1 | P22371 | -- | RED REFLECTOR (PART OF ITEM #12) |
| 2 | P223118 | -- | SMV TAPE 2X9 FLUORESCENT ORANGE (PART OF ITEM #12) |
| 3 | 223125 | -- | FORMED PLATE (PART OF ITEM #12) |
| 4 | P321362 | 2 | LIGHT-AMBER HAZARD LED SURF (GROTE) |
| 5 | P22372 | -- | REFLECTOR - RETROREFLECTIVE AMBER (PART OF ITEM #12) |
| 6 | P88103 | 10 | NUT-HEX: 3/8-16 5ZP |
| 7 | P88702 | 6 | SCREW-SET: 3/8NC X 3/4 SQHD CUP-PT ZP |
| 8 | P235460 | 2 | 12 X 36 LIGHT ARM CHASSIS GRAY |
| 9 | P88172 | 8 | NUT-HEX: 1/4-20 5ZP |
| 10 | P88362 | 8 | WASHER-HELICAL: 3/8ID ZP |
| 11 | P321363 | 2 | LIGHT-RED STOP/TAIL LED SURF (GROTE) |
| 12 | P223126 | 4 | LIGHT/REFLECTOR BRACKET - W/REFLECTORS |
| 13 | P89028 | 8 | BOLT-HEX: 1/4-20NC X 1-1/4 5ZP |
| 14 | P88262 | 4 | WASHER-LOCK: 1/4ID (5/16ACT) ZP |
| 15 | P223131 | 2 | LONG BASE PIVOT |
| 16 | P89277 | 2 | BOLT-U: 3/8-16NC X 7 X 8-1/4 ZP |
| -- | P360476 | 1 | HARNES-LED SAFETY LIGHT 10K 60FT |
| -- | P33096 | 25 | TIE WRAP (CABLE TIE 32") |



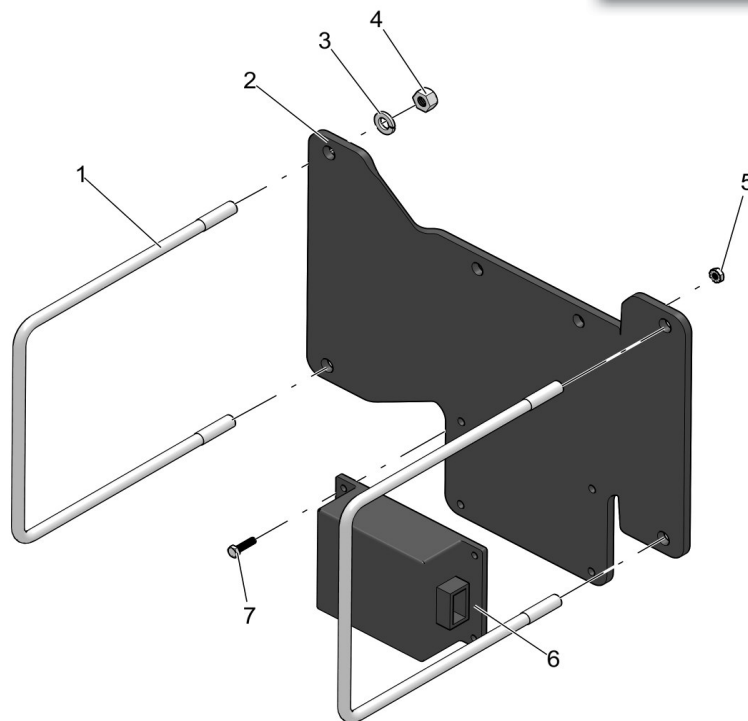
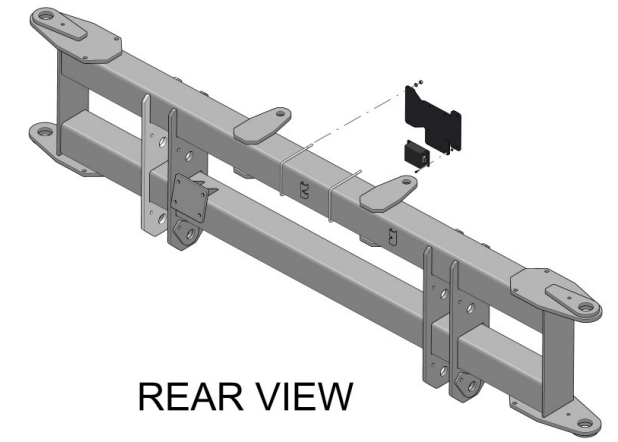
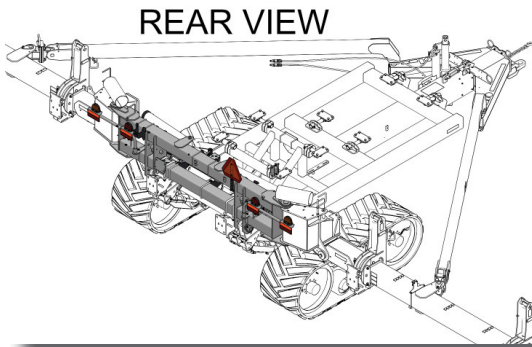
SMV EMBLEM

| ITEM | PART NUMBER | QTY | DESCRIPTION |
|------|-------------|-----|---|
| 1 | P88203 | 2 | BOLT-HEX: 1/4-20 X 1 5ZP |
| 2 | P88261 | 2 | WASHER-FLAT: 1/4 (5/16 X 3/4ACT) 2ZP |
| 3 | P30651 | 1 | SMV EMBLEM S276.6 |
| 4 | P350933 | 1 | SMV BRACKET - CHASSIS GRAY |
| 5 | P88262 | 2 | WASHER-LOCK: 1/4ID (5/16ACT) ZP |
| 6 | P88172 | 2 | NUT-HEX: 1/4-20 5ZP |
| 7 | P89277 | 1 | BOLT-U: 3/8-16NC X 7 X 8-1/4 ZP |
| 8 | P88739 | 2 | WASHER-FLAT: 3/8SAE (12/32 X 13/16) 2ZP |
| 9 | P88362 | 2 | WASHER-HELICAL: 3/8ID ZP |
| 10 | P88103 | 2 | NUT-HEX: 3/8-16 5ZP |



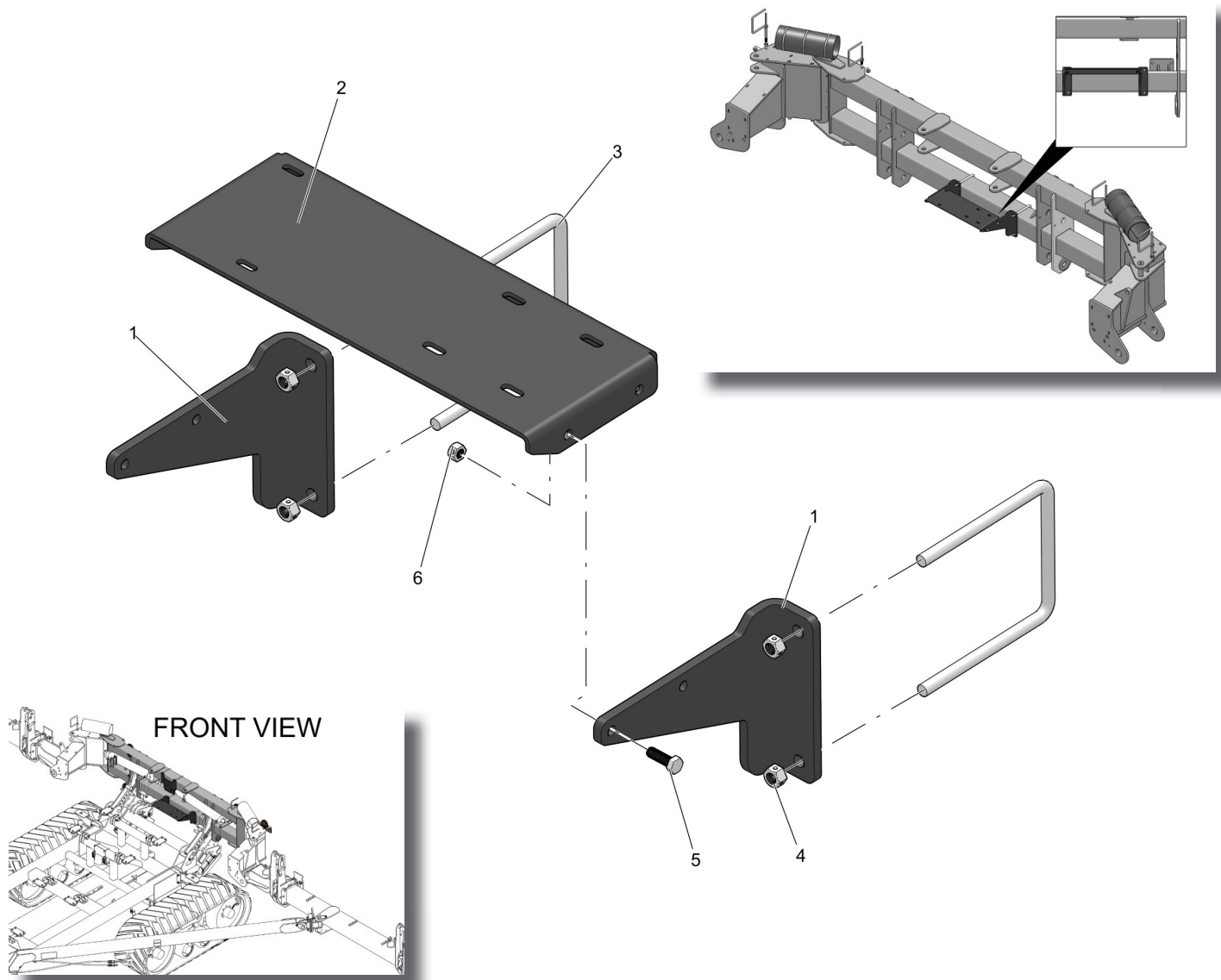
TRAILER MOUNT

| ITEM | PART NUMBER | QTY | DESCRIPTION |
|------|-------------|-----|--|
| 1 | P88103 | 4 | NUT-HEX: 3/8-16 5ZP |
| 2 | P88362 | 4 | WASHER-HELICAL: 3/8ID ZP |
| 3 | P360482 | 1 | FORMED PLATE - 7 PIN TRAILER PLUG CHASSIS GRAY |
| 4 | P89277 | 2 | BOLT-U: 3/8-16NC X 7 X 8-1/4 ZP |



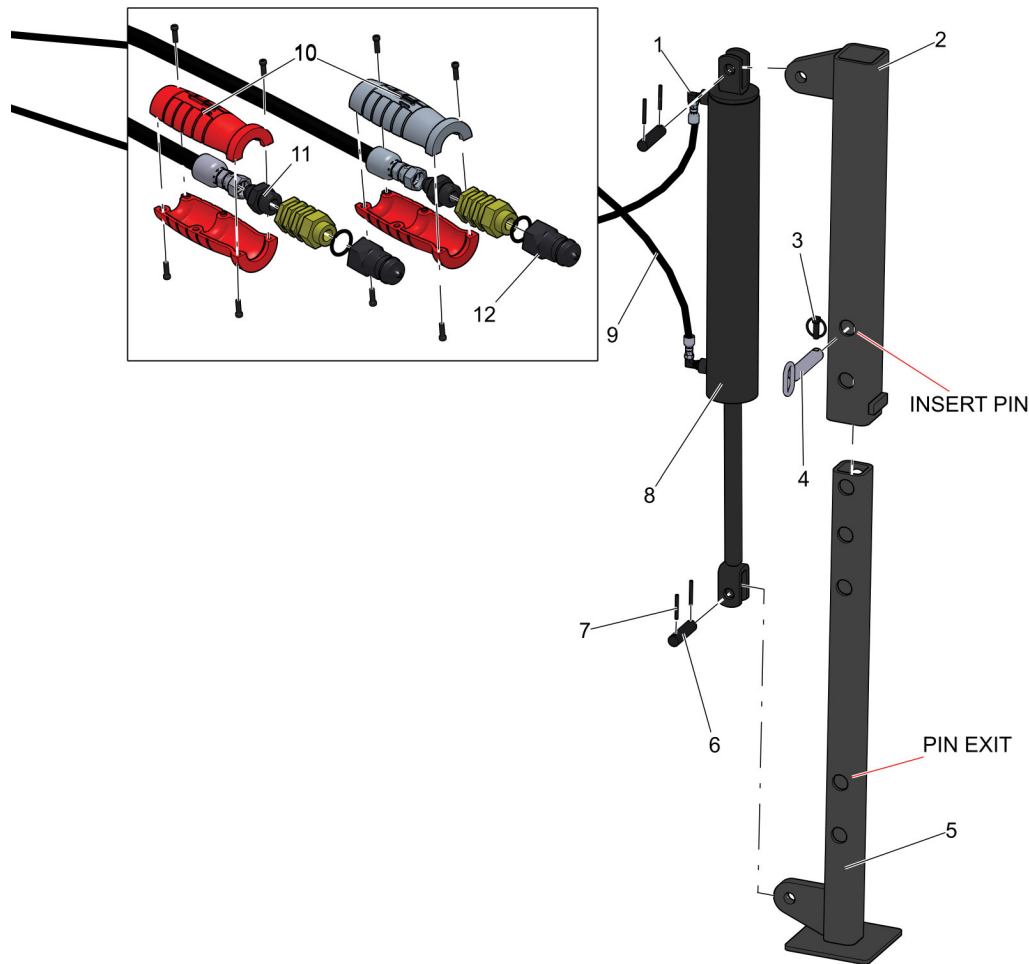
MODULE MOUNT

| ITEM | PART NUMBER | QTY | DESCRIPTION |
|------|-------------|-----|---|
| 1 | P89277 | 2 | BOLT-U: 3/8-16NC X 7 X 8-1/4 ZP |
| 2 | P360361 | 1 | FORMED PLATE-TILT & FOLD VALVE BLOCK CHASSIS GRAY |
| 3 | P88362 | 4 | WASHER-HELICAL: 3/8ID ZP |
| 4 | P88103 | 4 | NUT-HEX: 3/8-16 5ZP |
| 5 | P1026591 | 4 | NUT-K-LOCK: #10-24NC ZP |
| 6 | PA65341 | 1 | MODULE-INTERFACE |
| 7 | P89339 | 4 | BOLT-HEX: 3/16-24NC X 3/4 ZP |



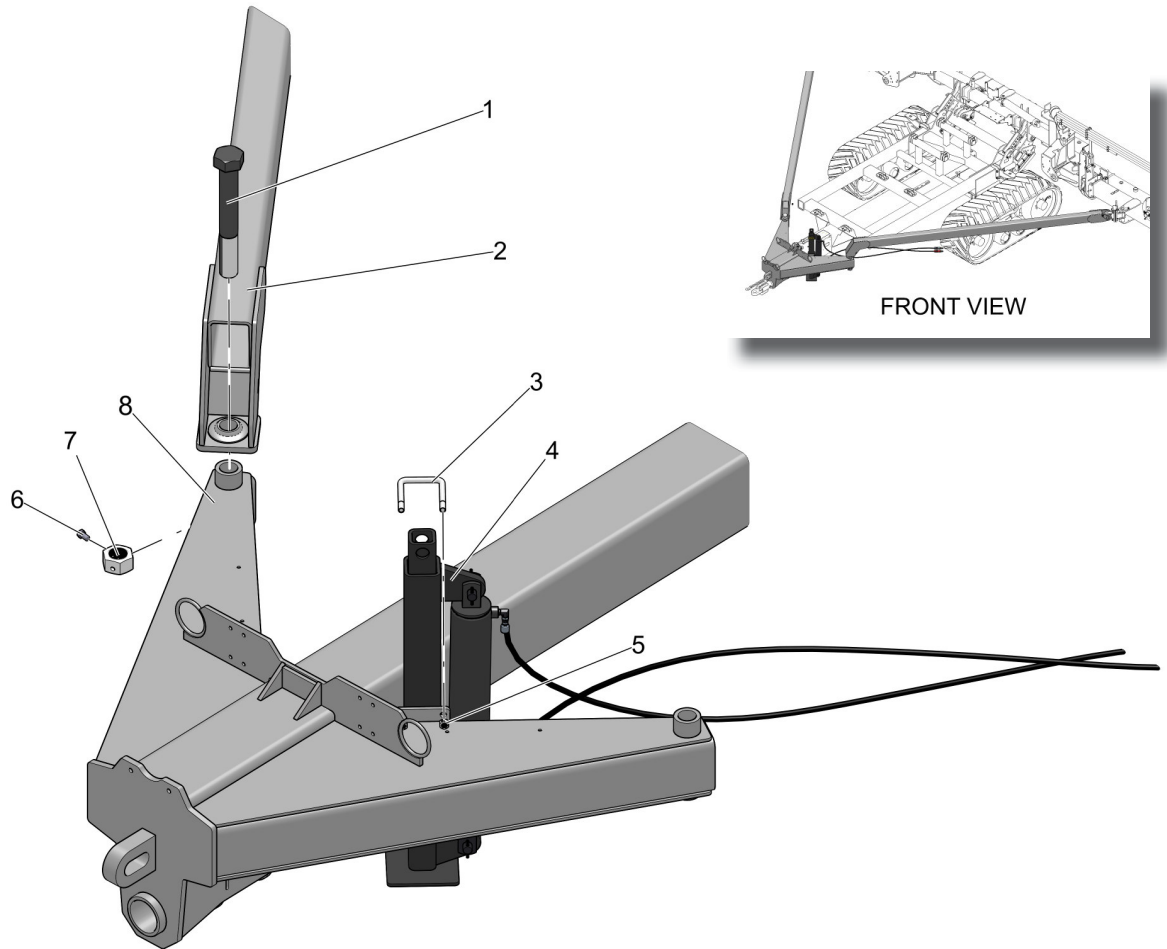
ALTERNATOR BRACKET

| ITEM | PART NUMBER | QTY | DESCRIPTION |
|------|-------------|-----|---------------------------------|
| 1 | 359965 | 2 | FORMED PLATE-SIDE ALT MNT |
| 2 | 359964 | 1 | FORMED PLATE-ALTERNATOR BOLT ON |
| 3 | P89351 | 2 | BLT-U 5/8-11NC X 7 X 8-1/2 Z |
| 4 | P88369 | 4 | NUT-LOCK: 2 POS 5/8-11NC 5YZP |
| 5 | P88475 | 4 | BOLT-HEX: 1/2-13NC X 1-1/2 5ZP |
| 6 | 88363 | 4 | NUT-LOCK: 2 POS 1/2-13NC 2ZP |



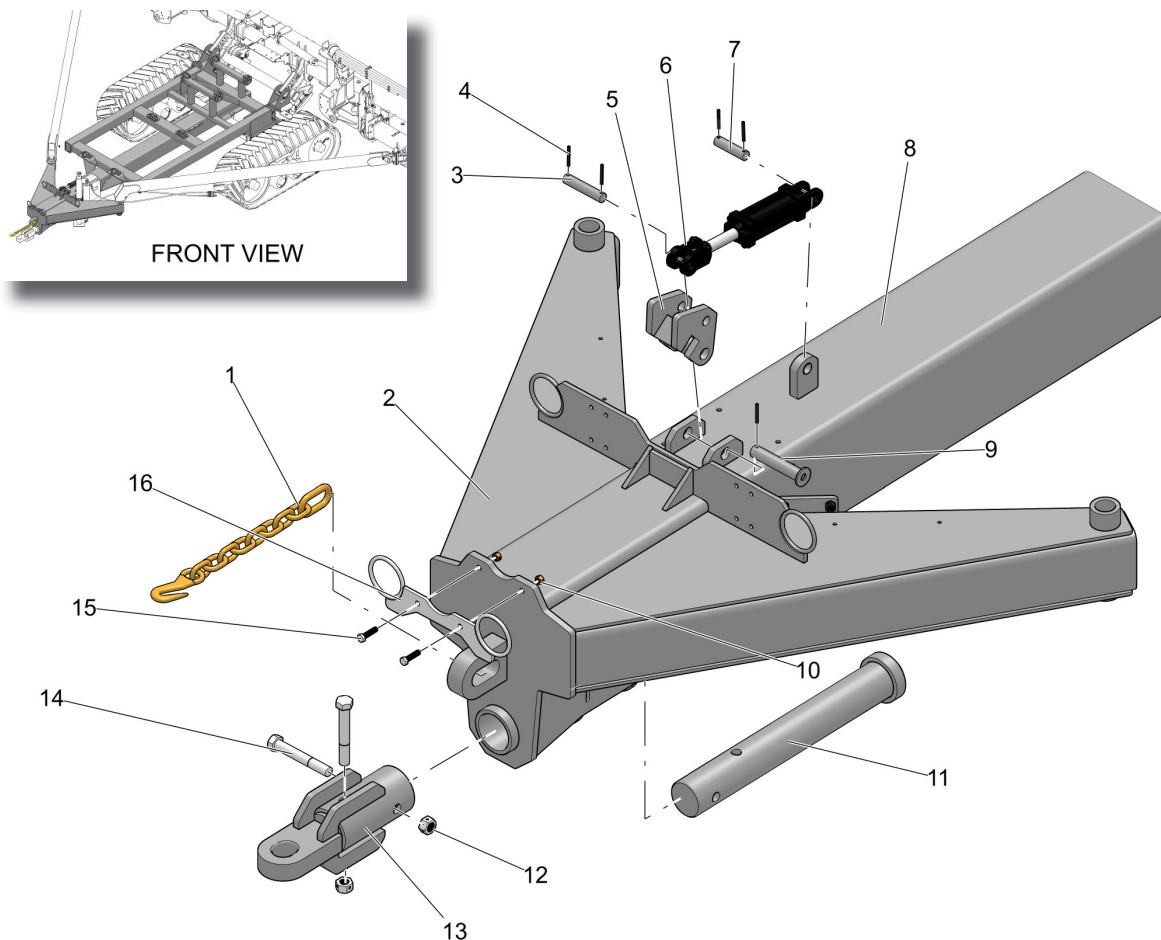
HYDRAULIC JACK

| ITEM | PART NUMBER | QTY | DESCRIPTION |
|------|-------------|-----|------------------------------------|
| 1 | P61239 | 2 | ELB 6MJ X 6 MORB |
| 2 | P239728 | 1 | JACK TUBE WELDMENT |
| 3 | P32990 | 1 | CLICK PIN 7/16 X 1-1/2 |
| 4 | P23011 | 1 | HITCH PIN 1-1/8 X 4-3/4 |
| 5 | P239727 | 1 | JACK LEG WELDMENT |
| 6 | P221714 | 2 | HEADLESS PIN(2) 1X4 |
| 7 | P42484 | 4 | ROLL PIN: 1/4 X 2-1/4ZP |
| 8 | P51241F | 1 | CYL HYD 3X24 FGS #A519CY10 |
| - | P233729 | 1 | SEAL KIT 3 INCH (FGS-SK-ABC Z3Q1S) |
| 9 | P238617 | 2 | HSE 3KPSI 1/4X120 6FJX |
| 10 | P301908 | 2 | HYD LABEL: .50 RED/GREY SET |
| 11 | PA36290 | 2 | QUICK COUPLER 8010-15 (#8 ORB) |
| 12 | P58543 | 2 | ADP 6 MJ X 8 MORB |



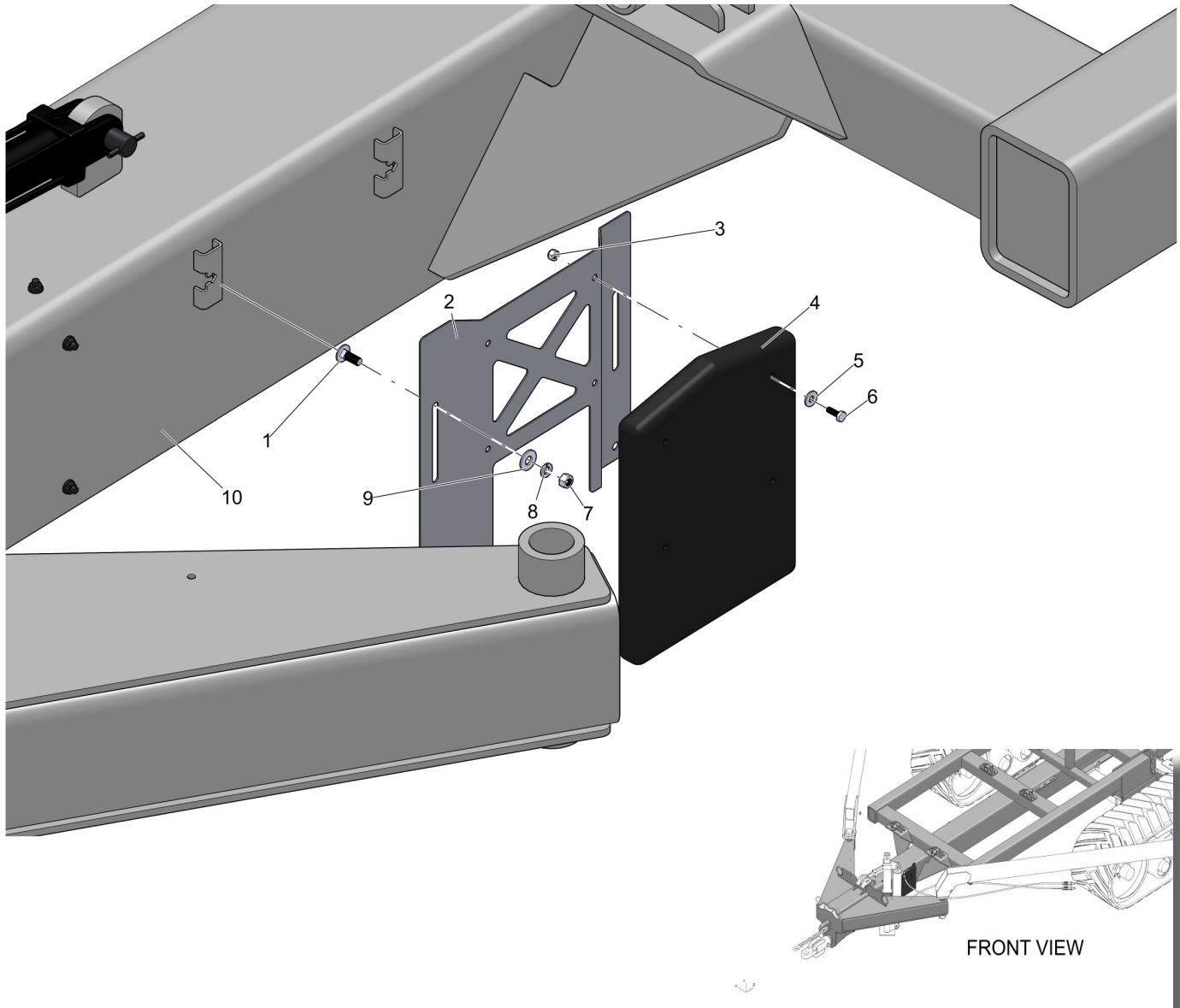
FRONT TELESCOPING TONGUE: WING BRACE & HYDRAULIC JACK

| ITEM | PART NUMBER | QTY | DESCRIPTION |
|------|-------------|-----|--|
| 1 | P89444 | 2 | BOLT-HEX; 2IN-4-1/2NC X 15 (A354) 8YZ |
| -- | ----- | -- | BOLT TO BE INSERTED AS SHOWN. |
| 2 | P360505 | 2 | WING BRACE WELD - 60FT/10SQ |
| 3 | P45633 | 3 | BLT-U 5/8-11NC X 4 X 5-1/2 Z |
| 4 | 700127 | 1 | 957 HYD JACK ILL |
| 5 | P88369 | 6 | NUT-LOCK: 2 POS 5/8-11NC 5YZP |
| 6 | P89449 | 2 | BOLT-HEX: 9/16-12NC X 1 8YZ |
| 7 | PW1506-9-16 | 2 | 2IN NUT CROSS DRILL 9/16 UNC (W/SET SCREW) |
| 8 | P241220 | -- | TONGUE WELD 60FT |



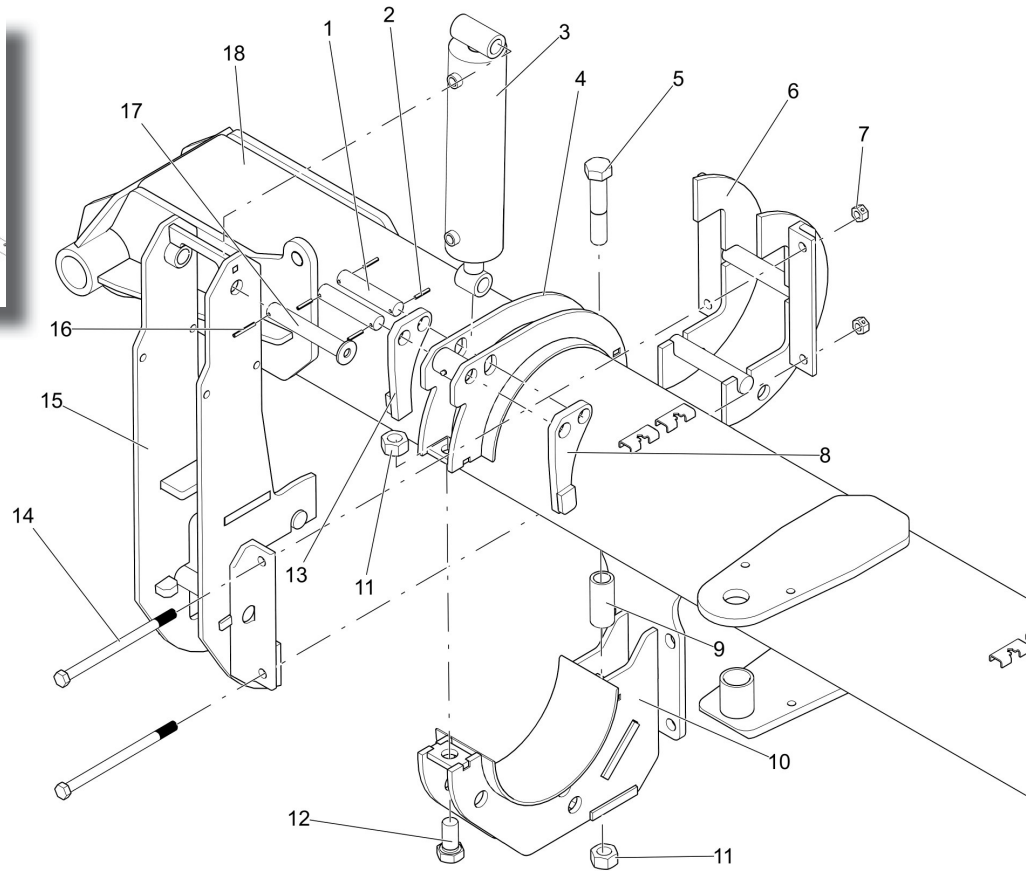
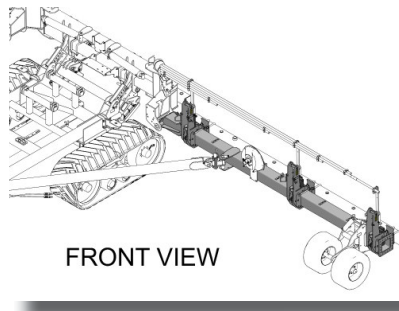
FRONT TELESCOPING TONGUE

| ITEM | PART NUMBER | QTY | DESCRIPTION |
|------|-------------|----------|---|
| 1 | P238225 | 1 | 40K SAFTY CHAIN |
| 2 | P241220 | -- | TONGUE WELD 60FT |
| 3 | P221344 | 1 | HEADLESS PIN(2) 1X5.12 |
| 8 | P42484 | 5 | PIN-ROLL: 1/4 X 2-1/4 ZP |
| 5 | P241163 | 1 | TONGUE LATCH WELD |
| 6 | PB112426 | 1 | CYLINDER 2-1/2X4 TIE ROD |
| 7 | P221714 | 1 | HEADLESS PIN(2) 1X4.00 |
| 8 | P350496CG | -- | MAINFRAME WELD 60 & 66FT PB CHASSIS GRAY (SHOWN) |
| -- | P350496G | OPTIONAL | MAINFRAME WELD 60 & 66FT PB GREEN |
| -- | P350496 | OPTIONAL | MAINFRAME WELD 60 & 66FT PB RED |
| 9 | P241219 | 1 | PIN WELD 1-1/4 DIA X 6-3/8 |
| 10 | P88363 | 2 | NUT 2POSLK 1/2-13NC 5Z |
| 11 | P357842 | 1 | PIVOT PIN WELD - TB HITCH |
| 12 | P88348 | 2 | NUT 2POSLK 1-8NC 5Z |
| 13 | P241305 | 1 | SWIVEL HITCH WELD-CAT IV (SHOWN) |
| -- | P243805 | OPTIONAL | SWIVEL HITCH WELD-CAT V |
| 14 | P88687 | 2 | BOLT-HEX: 1-8NC X 7 8YZ |
| 15 | P88679 | 2 | BLT HEX 1/2-13NC X 25Z |
| 16 | P354192 | 1 | HOSE BRACKET WELD - FRONT TONGUE |



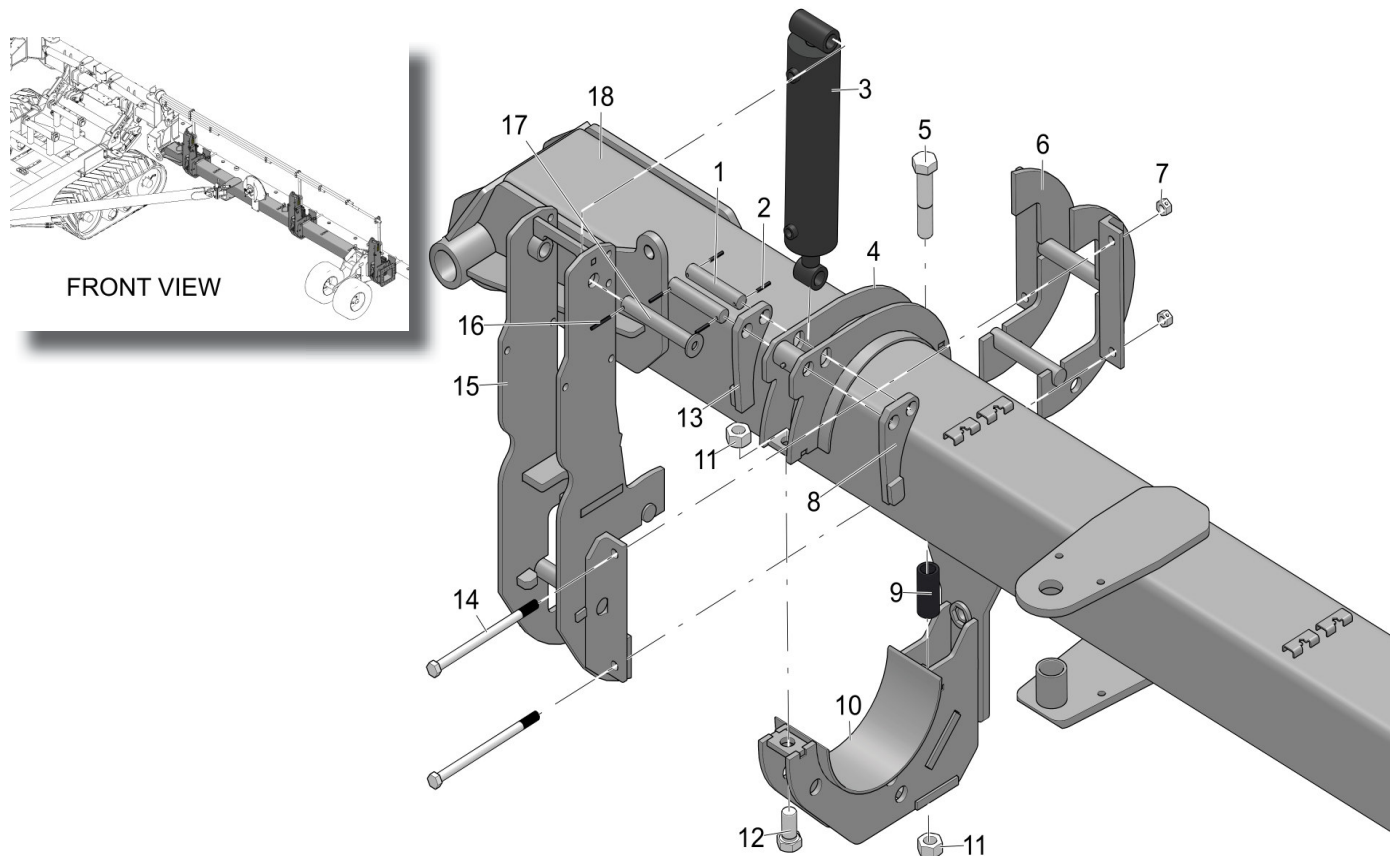
MANUAL STORAGE CASE

| ITEM | PART NUMBER | QTY | DESCRIPTION |
|------|-------------|-----|---|
| 1 | P89009 | 2 | BLT CRG 3/8-16NC X 1 (88467) 5Z |
| 2 | 322801 | 1 | SHEET-MOUNT MANUAL HOLDER |
| 3 | P89056 | 4 | NUT-NYLOCK: 1/4-20NC 2ZP |
| 4 | PA64635 | 1 | CASE-MANUAL STORAGE |
| 5 | P88261 | 4 | WASHER-FLAT: 1/4 (5/16 X 3/4ACT) 2ZP |
| 6 | P88993 | 4 | BOLT-HEX: 1/4-20NC X 3/4 5ZP |
| 7 | P88103 | 2 | NUT-HEX: 3/8-16NC 5ZP |
| 8 | P88362 | 2 | WASHER-HELICAL: 3/8ID ZP |
| 9 | P88282 | 2 | WASHER-FLAT: 3/8 (7/16 X 1ACT) 2ZP |
| 10 | P350496CG | 1 | MAINFRAME WELD 60 & 66FT PB CHASSIS GRAY (SHOWN) |
| -- | P350496G | -- | MAINFRAME WELD 60 & 66FT PB GREEN |
| -- | P350496 | -- | MAINFRAME WELD 60 & 66FT PB RED |



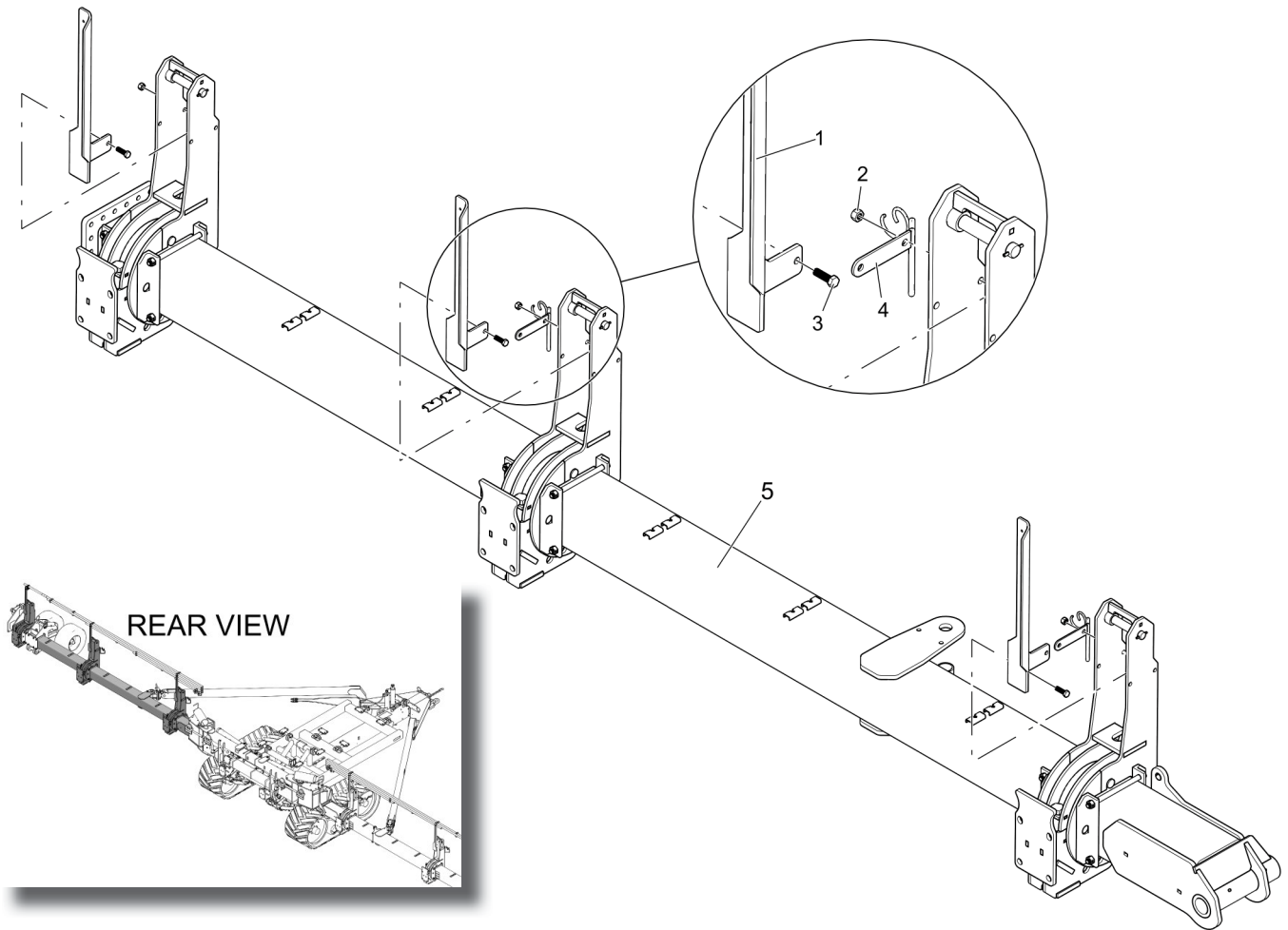
BEARING W/TILT CYLINDER 10SQ_LH FRONT VIEW (6 PLACES)

| ITEM | PART NUMBER | QTY | DESCRIPTION |
|------|-------------|----------|---|
| 1 | P68030 | 2 | HEADLESS PIN(2) 1-1/4X6.13 |
| 2 | P88415 | 4 | PIN-ROLL: 1/4 DIA X 1-1/2 ZP |
| 3 | P247349 | 1 | 4X14 WELDED HYDRAULIC CYL C40-264A |
| -- | P242258 | 1 | SEAL KT 4X12 CYL CTD |
| 4 | P247519 | 1 | 10IN TOOLBAR BEARING WELD-UPPER |
| 5 | P89470 | 1 | BOLT-HEX: 1-1/4-12NF X 6-1/2 GR8 Z |
| 6 | P247514 | 1 | 10IN TUBE BEARING WELD-REAR |
| 7 | P88356 | 4 | NUT-LOCK: 2POS 3/4-10NC 5YZP |
| 8 | P247525 | 1 | LOCK LINK WELD-LEFT |
| 9 | P247530 | 1 | BUSHING |
| 10 | P360513 | 1 | 10IN TOOLBAR BEARING WELD-BOTTOM 74 DEG |
| 11 | P89472 | 2 | NUT 2POSLK 1-1/4-12NF 8GR |
| 12 | P89471 | 1 | BOLT-HEX: 1-1/4-12NF X 2-1/2 GR8 Z |
| 13 | P247524 | 1 | LOCK LINK WELD-RIGHT |
| 14 | P88871 | 4 | BOLT-HEX: 3/4-10NC X 12 5Z |
| 15 | P247516 | 1 | 10IN TOOLBAR BEARING WELD-FRONT |
| 16 | P42484 | 2 | PIN-ROLL: 1/4 X 2-1/4 ZP |
| 17 | P241184 | 2 | PIN WELD 1-1/4 DIA X 8-1/8 |
| 18 | P360499CG | -- | WING WELD - LEFT 24R30 60FT CHASSIS GRAY (SHOWN) |
| -- | P360500CG | -- | WING WELD - RIGHT 24R30 60FT CHASSIS GRAY |
| -- | P360499G | OPTIONAL | WING WELD - LEFT 24R30 60FT GREEN |
| -- | P360500G | OPTIONAL | WING WELD - RIGHT 24R30 60FT GREEN |
| -- | P360499 | OPTIONAL | WING WELD - LEFT 24R30 60FT RED |
| -- | P360500 | OPTIONAL | WING WELD - RIGHT 24R30 60FT RED |



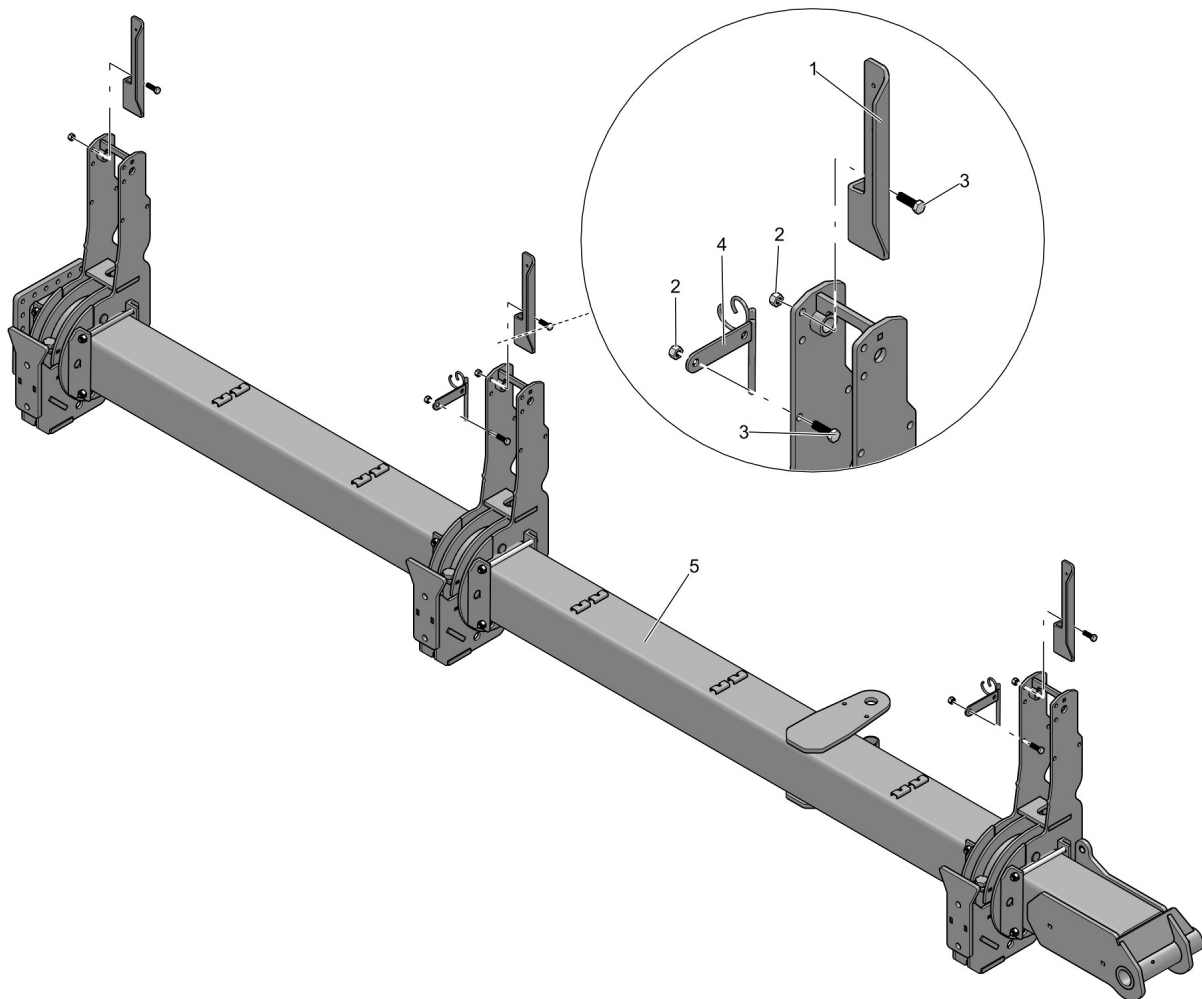
BEARING W/TILT CYLINDER 10SQ_LH FRONT VIEW (6 PLACES) (CURRENT)

| ITEM | PART NUMBER | QTY | DESCRIPTION |
|------|-------------|----------|---|
| 1 | P68030 | 2 | HEADLESS PIN(2) 1-1/4X6.13 |
| 2 | P88415 | 4 | PIN-ROLL: 1/4 DIA X 1-1/2 ZP |
| 3 | | 1 | 4X14 WELDED HYDRAULIC CYL C40-264A |
| -- | P247349 | 1 | SEAL KT 4X12 CYL CTD |
| | P242258 | 1 | |
| 4 | P247519 | 1 | 10IN TOOLBAR BEARING WELD-UPPER |
| 5 | P89470 | 1 | BOLT-HEX: 1-1/4-12NF X 6-1/2 GR8 Z |
| 6 | P247514 | 1 | 10IN TUBE BEARING WELD-REAR |
| 7 | P88356 | 4 | NUT-LOCK: 2POS 3/4-10NC 5YZP |
| 8 | P247525 | 1 | LOCK LINK WELD-LEFT |
| 9 | P247530 | 1 | BUSHING |
| 10 | P360463 | 1 | 10IN TOOL BAR BEARING WELD-BOTTOM |
| 11 | P89472 | 2 | NUT 2POSLK 1-1/4-12NF 8GR |
| 12 | P89471 | 1 | BOLT-HEX: 1-1/4-12NF X 2-1/2 GR8 Z |
| 13 | P247524 | 1 | LOCK LINK WELD-RIGHT |
| 14 | P88871 | 4 | BOLT-HEX: 3/4-10NC X 12 5Z |
| 15 | P247516 | 1 | 10IN TOOLBAR BEARING WELD-FRONT |
| 16 | P42484 | 2 | PIN-ROLL: 1/4 X 2-1/4 ZP |
| 17 | P241184 | 2 | PIN WELD 1-1/4 DIA X 8-1/8 |
| 18 | P360499CG | -- | WING WELD - LEFT 24R30 60FT CHASSIS GRAY (SHOWN) |
| -- | P360500CG | -- | WING WELD - RIGHT 24R30 60FT CHASSIS GRAY |
| -- | P360499G | OPTIONAL | WING WELD - LEFT 24R30 60FT GREEN |
| -- | P360500G | OPTIONAL | WING WELD - RIGHT 24R30 60FT GREEN |
| -- | P360499 | OPTIONAL | WING WELD - LEFT 24R30 60FT RED |
| -- | P360500 | OPTIONAL | WING WELD - RIGHT 24R30 60FT RED |



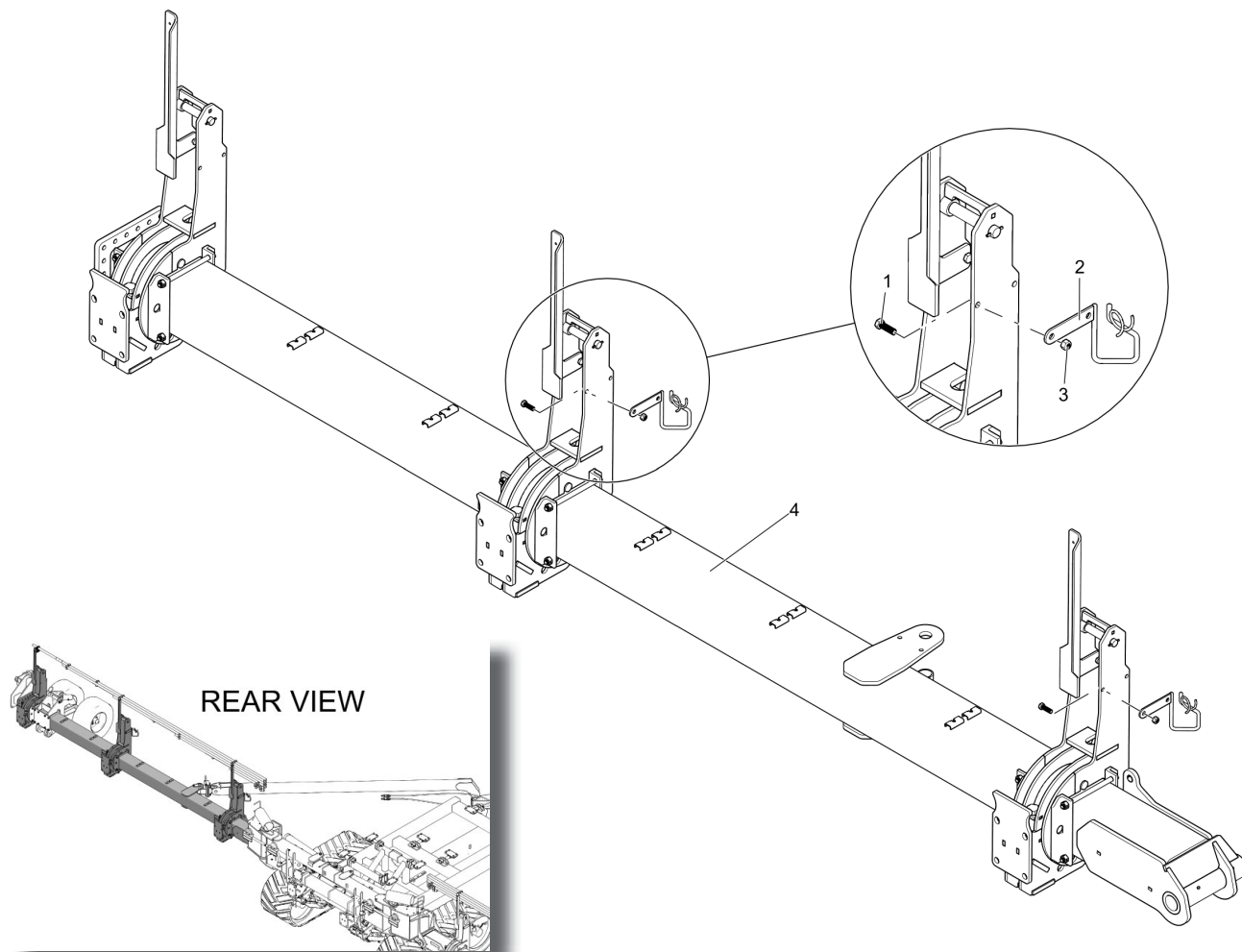
SEED TUBE MOUNTING BRACKETS & LH HYDRAULIC TUBE MOUNTS (2 PLS) (NOT CURRENT)

| ITEM | PART NUMBER | QTY | DESCRIPTION |
|------|-------------|----------|---|
| 1 | P359992 | 3 | BRACKET-SEED TUBE MOUNT TOWER 10SQ |
| 2 | P88845 | 6 | NUT TOP LK 5/8-11NC 5Z |
| 3 | P88294 | 6 | BOLT-HEX: 5/8-11NC X 2 5ZP |
| 4 | P360363 | 2 | BRACKET WELD-LH HYD HOSE MOUNT 10 S |
| 5 | P360499CG | -- | WING WELD - LEFT 24R30 60FT CHASSIS GRAY (SHOWN) |
| -- | P360500CG | -- | WING WELD - RIGHT 24R30 60FT CHASSIS GRAY |
| -- | P360499G | OPTIONAL | WING WELD - LEFT 24R30 60FT GREEN |
| -- | P360500G | OPTIONAL | WING WELD - RIGHT 24R30 60FT GREEN |
| -- | P360499 | OPTIONAL | WING WELD - LEFT 24R30 60FT RED |
| -- | P360500 | OPTIONAL | WING WELD - RIGHT 24R30 60FT RED |

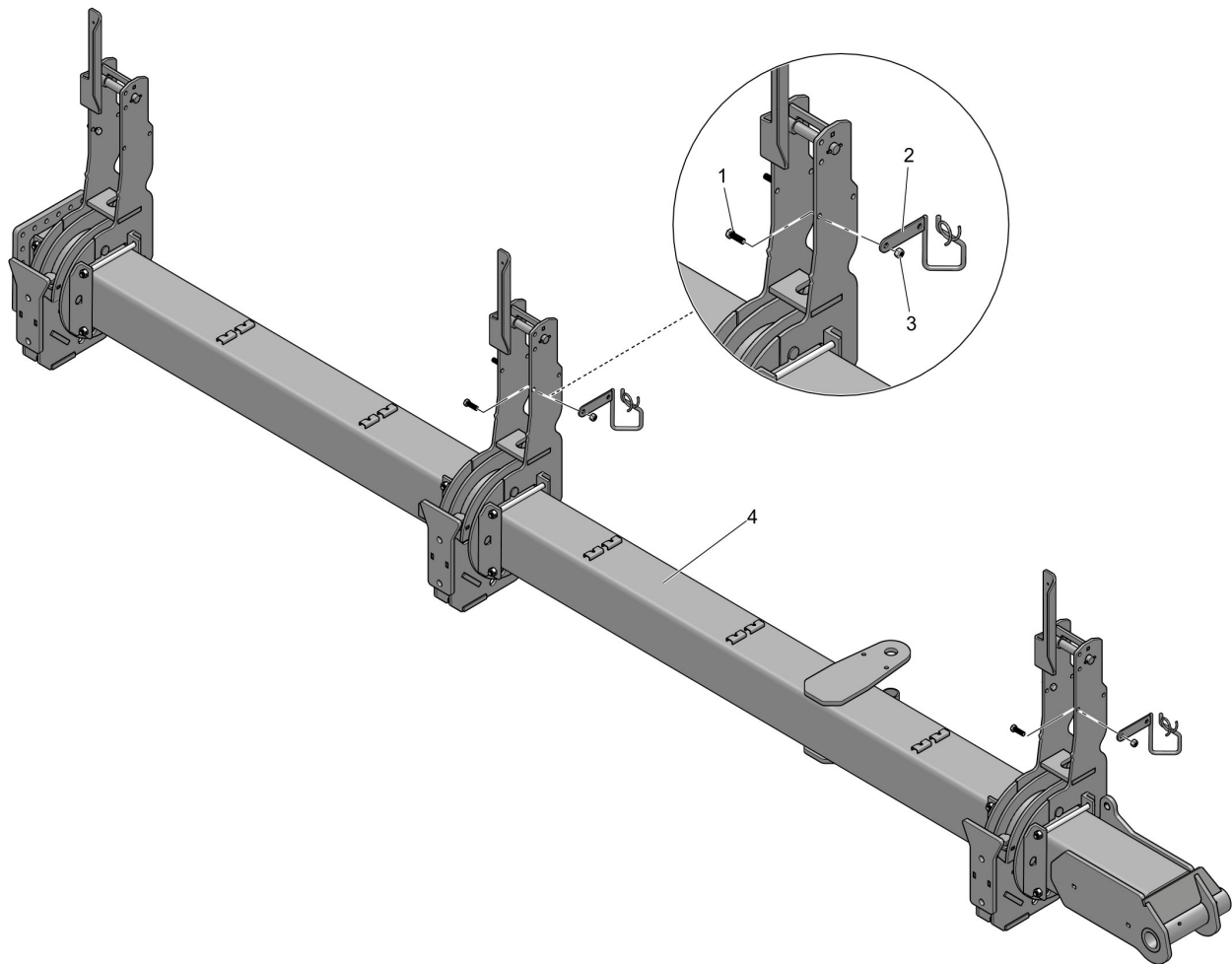


SEED TUBE MOUNTING BRACKETS & LH HYDRAULIC TUBE MOUNTS (2 PLACES) (CURRENT)

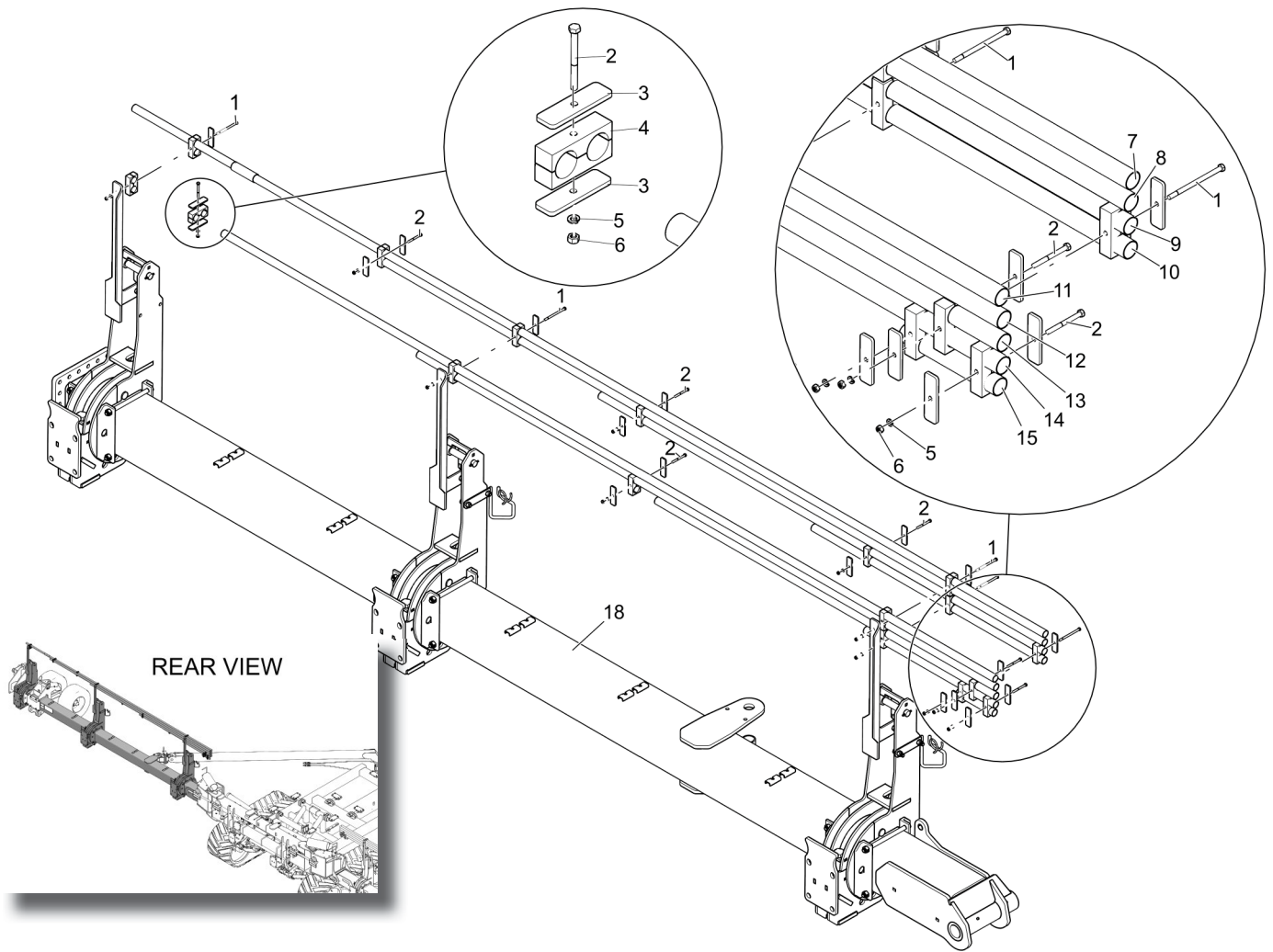
| ITEM | PART NUMBER | QTY | DESCRIPTION |
|------|-------------|----------|---|
| 1 | 4000360875 | 3 | BRACKET-SEED TUBE MOUNT-SHORT 10SQ CG |
| 2 | P88845 | 10 | NUT TOP LK 5/8-11NC 5Z |
| 3 | P88294 | 10 | BOLT-HEX: 5/8-11NC X 2 5ZP |
| 4 | P360363 | 2 | BRACKET WELD-LH HYD HOSE MOUNT 10 S |
| 5 | P360499CG | -- | WING WELD - LEFT 24R30 60FT CHASSIS GRAY (SHOWN) |
| -- | P360500CG | -- | WING WELD - RIGHT 24R30 60FT CHASSIS GRAY |
| -- | P360499G | OPTIONAL | WING WELD - LEFT 24R30 60FT GREEN |
| -- | P360500G | OPTIONAL | WING WELD - RIGHT 24R30 60FT GREEN |
| -- | P360499 | OPTIONAL | WING WELD - LEFT 24R30 60FT RED |
| -- | P360500 | OPTIONAL | WING WELD - RIGHT 24R30 60FT RED |


LH HYDRAULIC TUBE MOUNTS (2 PLACES) (NOT CURRENT)

| ITEM | PART NUMBER | QTY | DESCRIPTION |
|------|-------------|----------|---|
| 1 | P88294 | 4 | BOLT-HEX: 5/8-11NC X 2 5ZP |
| 2 | P360364 | 2 | BRACKET WELD-RH HYD HOSE MOUNT 10 S |
| 3 | P88845 | 4 | NUT TOP LK 5/8-11NC 5Z |
| 4 | P360499CG | -- | WING WELD - LEFT 24R30 60FT CHASSIS GRAY (SHOWN) |
| -- | P360500CG | -- | WING WELD - RIGHT 24R30 60FT CHASSIS GRAY |
| -- | P360499G | OPTIONAL | WING WELD - LEFT 24R30 60FT GREEN |
| -- | P360500G | OPTIONAL | WING WELD - RIGHT 24R30 60FT GREEN |
| -- | P360499 | OPTIONAL | WING WELD - LEFT 24R30 60FT RED |
| -- | P360500 | OPTIONAL | WING WELD - RIGHT 24R30 60FT RED |

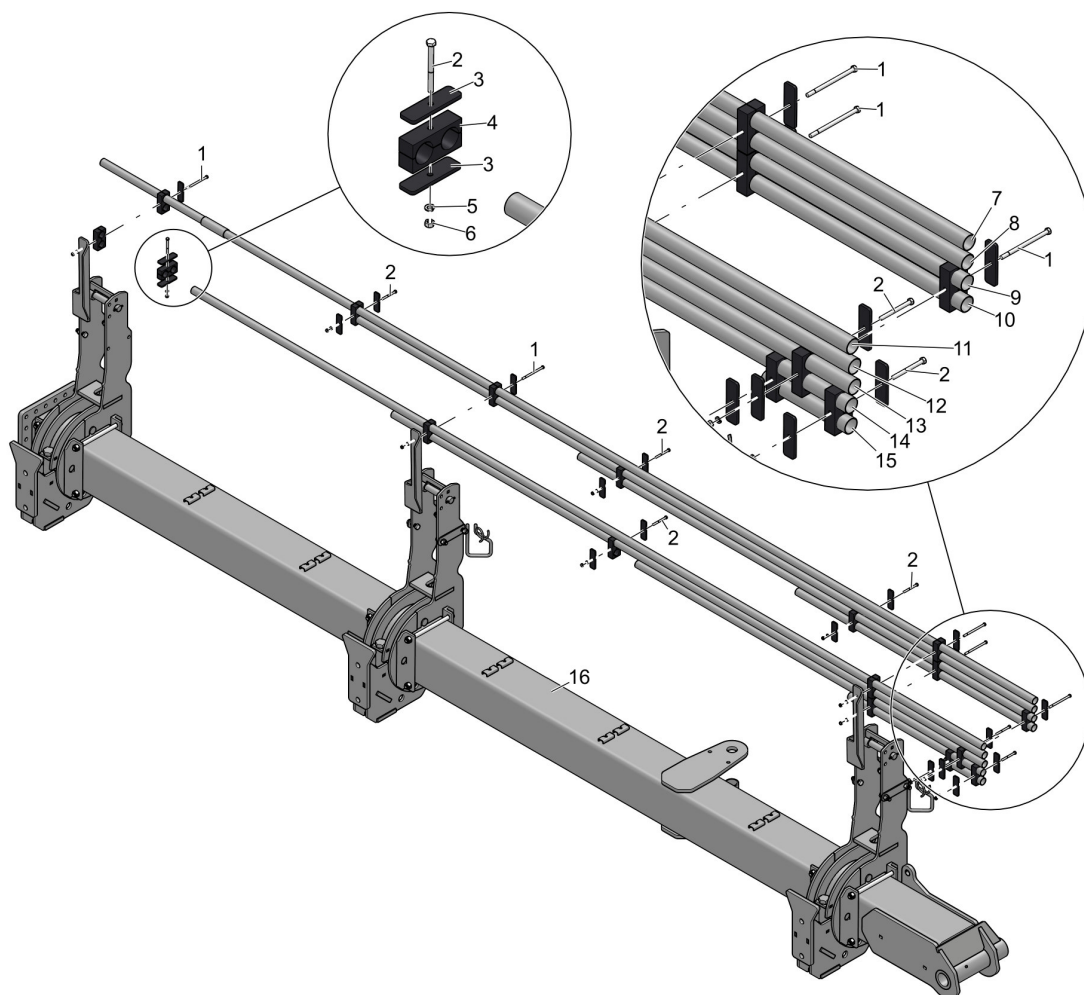

LH HYDRAULIC TUBE MOUNTS (2 PLACES) (CURRENT)

| ITEM | PART NUMBER | QTY | DESCRIPTION |
|------|-------------|----------|---|
| 1 | P88294 | 4 | BOLT-HEX: 5/8-11NC X 2 5ZP |
| 2 | P360364 | 2 | BRACKET WELD-RH HYD HOSE MOUNT 10 S |
| 3 | P88845 | 4 | NUT TOP LK 5/8-11NC 5Z |
| 4 | P360499CG | -- | WING WELD - LEFT 24R30 60FT CHASSIS GRAY (SHOWN) |
| -- | P360500CG | -- | WING WELD - RIGHT 24R30 60FT CHASSIS GRAY |
| -- | P360499G | OPTIONAL | WING WELD - LEFT 24R30 60FT GREEN |
| -- | P360500G | OPTIONAL | WING WELD - RIGHT 24R30 60FT GREEN |
| -- | P360499 | OPTIONAL | WING WELD - LEFT 24R30 60FT RED |
| -- | P360500 | OPTIONAL | WING WELD - RIGHT 24R30 60FT RED |

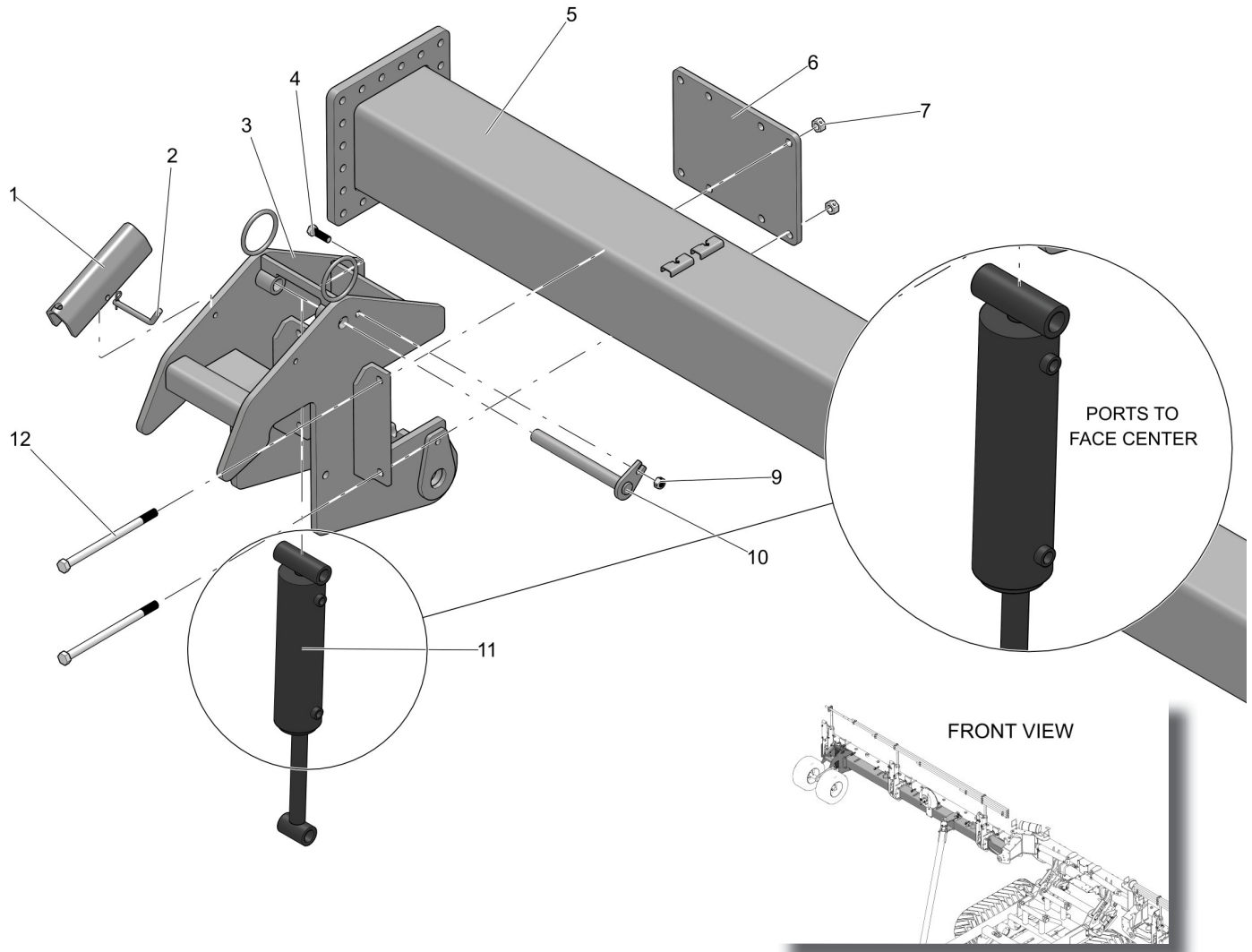


LH SEED DELIVERY TUBES (2 PLACES) (NOT CURRENT)

| ITEM | PART NUMBER | QTY | DESCRIPTION |
|------|-------------|----------|---|
| 1 | P88802 | 8 | BOLT-HEX: 5/16-18NC X 5-1/2 5Z |
| 2 | P88810 | 12 | BOLT-HEX: 5/16-18NC X 3-1/2 5Z |
| 3 | P245113 | 40 | BACK PLATE 1-1/2 DIA TUBE CLAMP |
| 4 | P247331 | 34 | CLAMP HALF 1-1/2 TWIN |
| 5 | P88358 | 24 | WASHER-HELICAL: 5/16ID ZP |
| 6 | P88127 | 24 | NUT-HEX: 5/16-18NC 5ZP |
| 7 | P351313 | 2 | 1-1/2 DIA SEED DELIVERY TUBE 220IN |
| 8 | P353011 | 2 | 1-1/2 DIA SEED DELIVERY TUBE 184IN |
| 9 | P353006 | 2 | 1-1/2 DIA SEED DELIVERY TUBE 123IN |
| 10 | P353012 | 2 | 1-1/2 DIA SEED DELIVERY TUBE 160IN |
| 11 | P353010 | 2 | 1-1/2 DIA SEED DELIVERY TUBE 214IN |
| 12 | P353012 | 2 | 1-1/2 DIA SEED DELIVERY TUBE 160IN |
| 13 | P353013 | 2 | 1-1/2 DIA SEED DELIVERY TUBE 94IN |
| 14 | P352600 | 2 | 1-1/2 DIA SEED DELIVERY TUBE 36IN |
| 15 | P353005 | 2 | 1-1/2 DIA SEED DELIVERY TUBE 10IN |
| 16 | P360499CG | -- | WING WELD - LEFT 24R30 60FT CHASSIS GRAY (SHOWN) |
| -- | P360500CG | -- | WING WELD - RIGHT 24R30 60FT CHASSIS GRAY |
| -- | P360499G | OPTIONAL | WING WELD - LEFT 24R30 60FT GREEN |
| -- | P360500G | OPTIONAL | WING WELD - RIGHT 24R30 60FT GREEN |
| -- | P360499 | OPTIONAL | WING WELD - LEFT 24R30 60FT RED |
| -- | P360500 | OPTIONAL | WING WELD - RIGHT 24R30 60FT RED |

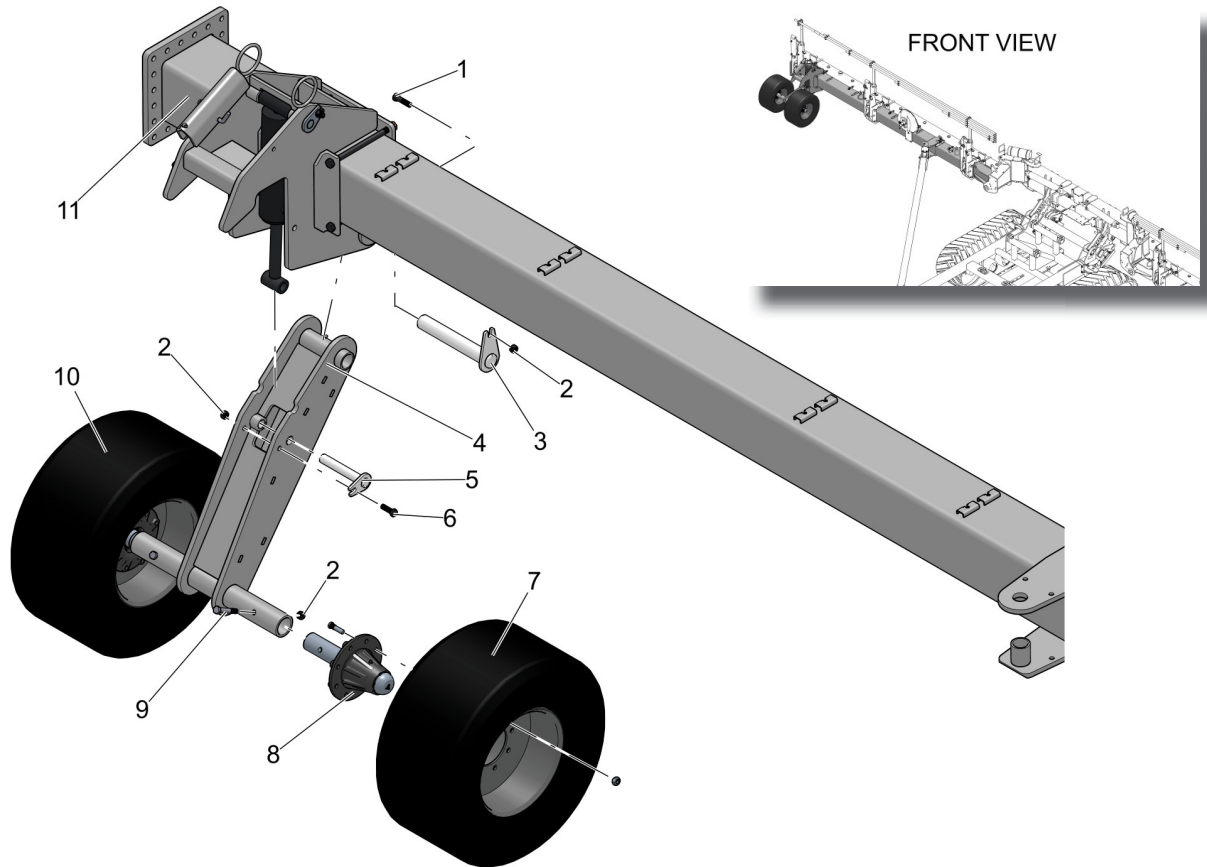

LH SEED DELIVERY TUBES (2 PLACES) (CURRENT)

| ITEM | PART NUMBER | QTY | DESCRIPTION |
|------|-------------|----------|---|
| 1 | P88802 | 8 | BOLT-HEX: 5/16-18NC X 5-1/2 5Z |
| 2 | P88810 | 12 | BOLT-HEX: 5/16-18NC X 3-1/2 5Z |
| 3 | P245113 | 40 | BACK PLATE 1-1/2 DIA TUBE CLAMP |
| 4 | P247331 | 34 | CLAMP HALF 1-1/2 TWIN |
| 5 | P88358 | 24 | WASHER-HELICAL: 5/16ID ZP |
| 6 | P88127 | 24 | NUT-HEX: 5/16-18NC 5ZP |
| 7 | P351313 | 2 | 1-1/2 DIA SEED DELIVERY TUBE 220IN |
| 8 | P353011 | 2 | 1-1/2 DIA SEED DELIVERY TUBE 184IN |
| 9 | P353006 | 2 | 1-1/2 DIA SEED DELIVERY TUBE 123IN |
| 10 | P353012 | 2 | 1-1/2 DIA SEED DELIVERY TUBE 160IN |
| 11 | P353010 | 2 | 1-1/2 DIA SEED DELIVERY TUBE 214IN |
| 12 | P353012 | 2 | 1-1/2 DIA SEED DELIVERY TUBE 160IN |
| 13 | P353013 | 2 | 1-1/2 DIA SEED DELIVERY TUBE 94IN |
| 14 | P352600 | 2 | 1-1/2 DIA SEED DELIVERY TUBE 36IN |
| 15 | P353005 | 2 | 1-1/2 DIA SEED DELIVERY TUBE 10IN |
| 16 | P360499CG | -- | WING WELD - LEFT 24R30 60FT CHASSIS GRAY (SHOWN) |
| -- | P360500CG | -- | WING WELD - RIGHT 24R30 60FT CHASSIS GRAY |
| -- | P360499G | OPTIONAL | WING WELD - LEFT 24R30 60FT GREEN |
| -- | P360500G | OPTIONAL | WING WELD - RIGHT 24R30 60FT GREEN |
| -- | P360499 | OPTIONAL | WING WELD - LEFT 24R30 60FT RED |
| -- | P360500 | OPTIONAL | WING WELD - RIGHT 24R30 60FT RED |



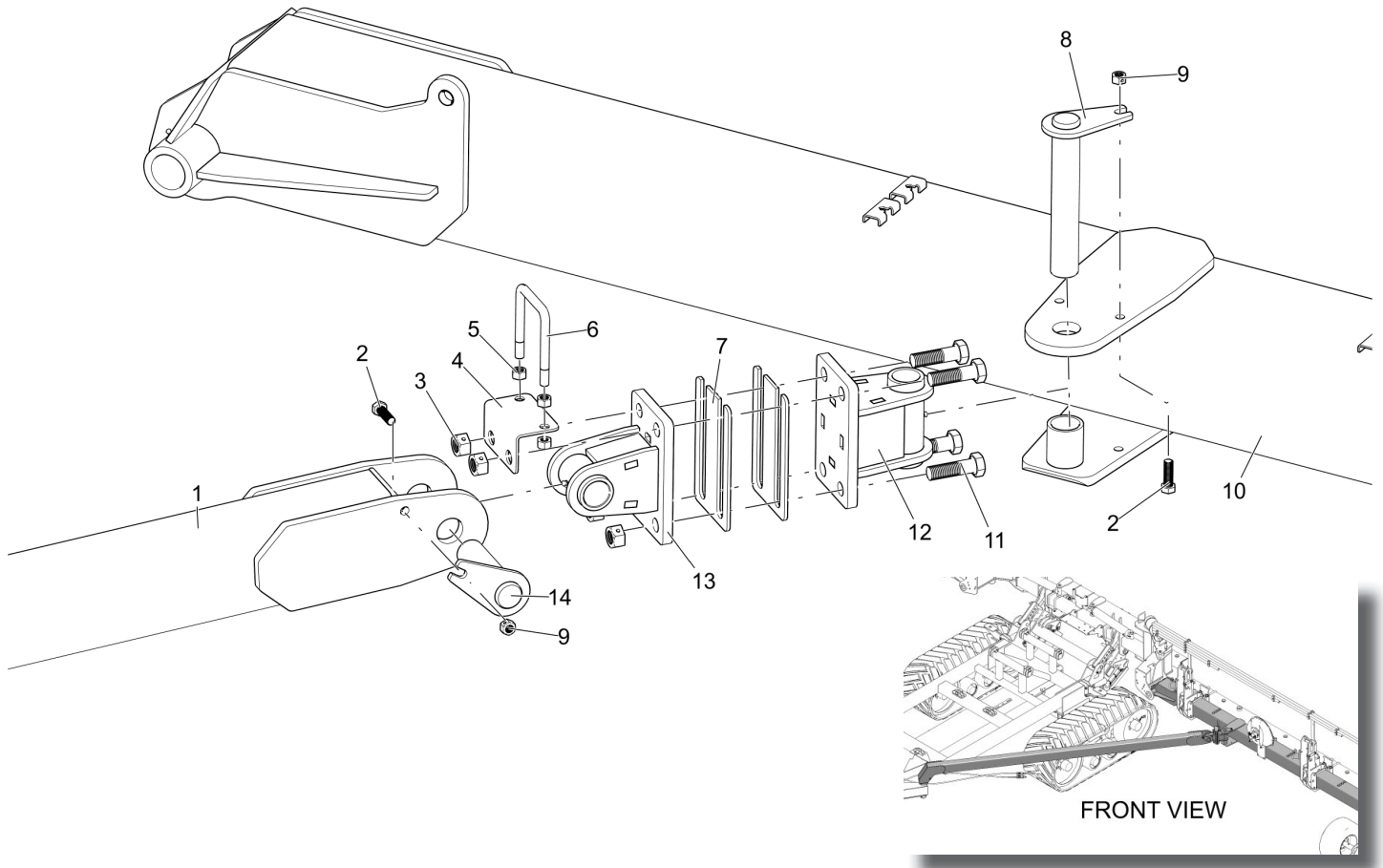
RH WING - WHEEL OUTER WING (2 PLACES)

| ITEM | PART NUMBER | QTY | DESCRIPTION |
|------|-------------|----------|--|
| 1 | P241640 | 1 | 12" CHANNEL LOCK |
| 2 | P234811 | 1 | 1/2 X 4 BENT PIN W/HAIRPIN |
| 3 | P351383 | 1 | WING WHEEL MOUNT WELD 10SQ |
| 4 | P88294 | 2 | BOLT-HEX: 5/8-11NC X 2 5ZP |
| 5 | P360500CG | -- | WING WELD - RIGHT 24R30 60FT CHASSIS GRAY (SHOWN) |
| -- | P360499CG | -- | WING WELD - LEFT 24R30 60FT CHASSIS GRAY |
| -- | P360499G | OPTIONAL | WING WELD - LEFT 24R30 60FT GREEN |
| -- | P360500G | OPTIONAL | WING WELD - RIGHT 24R30 60FT GREEN |
| -- | P360499 | OPTIONAL | WING WELD - LEFT 24R30 60FT RED |
| -- | P360500 | OPTIONAL | WING WELD - RIGHT 24R30 60FT RED |
| 6 | P351385 | 1 | BACK PLATE-10SQ WING WHEEL MNT |
| 7 | P88356 | 8 | NUT-LOCK: 2 POS 3/4-10NC 5YZP |
| 9 | P88369 | 5 | NUT-LOCK: 2 POS 5/8-11NC 5YZP |
| 10 | P241325 | 1 | PIN WELD 1-1/4 DIA X 11-3/4 |
| 11 | P241339 | 1 | HYD CYL 4X12 SEQ WELDED |
| -- | P242255 | 1 | SEAL KIT 4X12 SEQ CYL CTD |
| 12 | P88871 | 8 | BOLT-HEX: 3/4-10NC X 12 5Z |



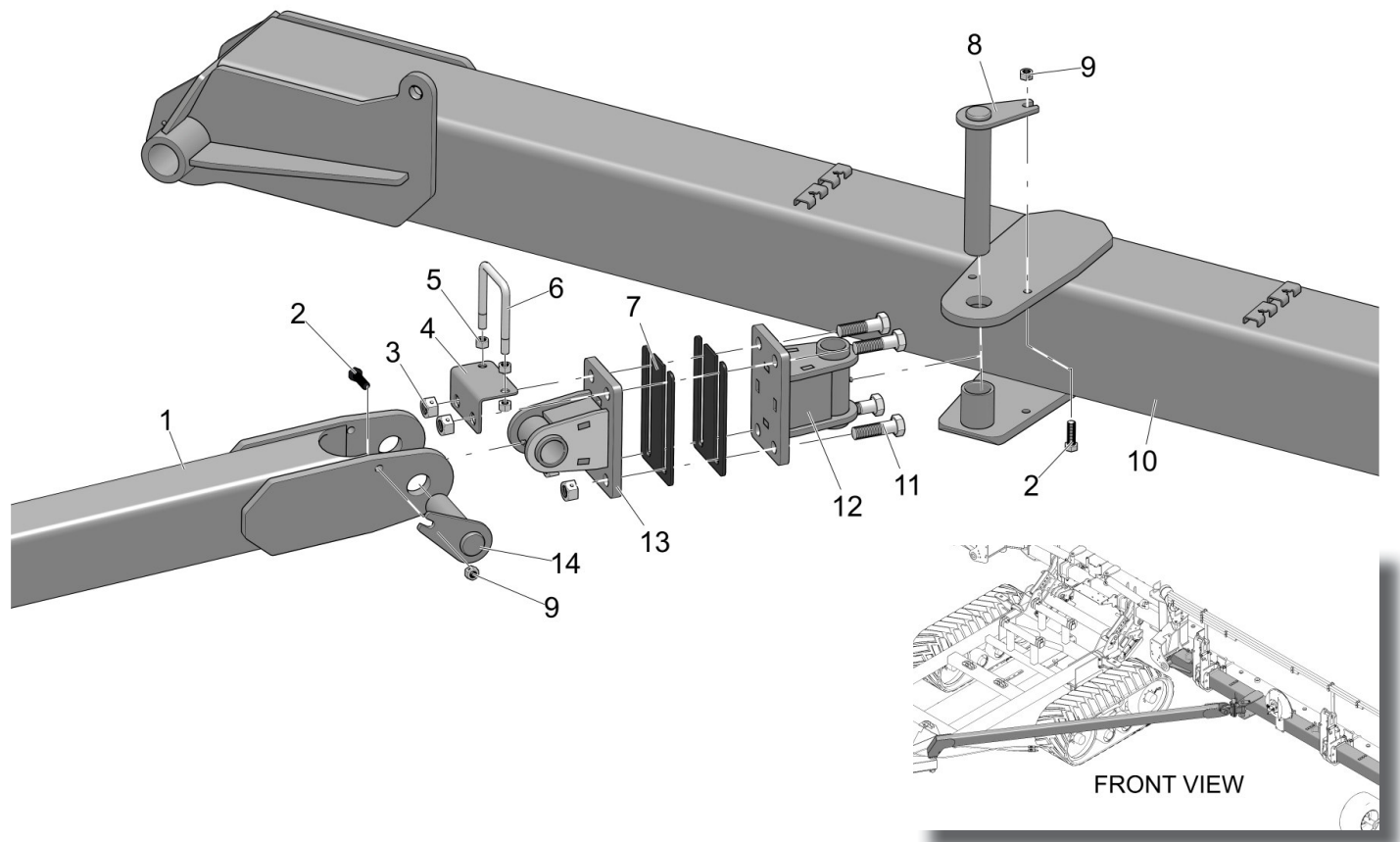
RH WING-WHEEL LEG (2 PLACES)

| ITEM | PART NUMBER | QTY | DESCRIPTION |
|------|-------------|----------|--|
| 1 | P88409 | 1 | BOLT-HEX: 5/8-11NC X 2-1/2 5ZP |
| 2 | P88369 | 3 | NUT-LOCK: 2 POS 5/8-11NC 5YZP |
| 3 | P241329 | 1 | PIN WELD 2 DIA X 12-3/4 WW PIVOT |
| 4 | P241286 | 1 | WING WHEEL LEG |
| 5 | P241176 | 1 | PIN WELD 1-1/4 DIA X 7-3/4 |
| 6 | P88294 | 2 | BOLT-HEX: 5/8-11NC X 2 5ZP |
| 7 | P241331 | 1 | WHL ASSY 16.5 X 12 10PLY LEFT |
| -- | P241191 | -- | (12 X 16.5 RIM SKID STEER) |
| -- | P241287 | -- | (TIRE 33X15.5-16.5NHS 12PLY SKID STE) |
| 8 | 247987 | 2 | R/B P247987 2-1/2" HUB AND SPINDLE ASSY |
| 9 | P88298 | 2 | BOLT-HEX: 5/8-11NC X 4 5ZP |
| 10 | P241321 | 1 | WHL ASSY 16.5 X 12 10PLY RIGHT |
| -- | P241191 | -- | (12 X 16.5 RIM SKID STEER) |
| -- | P241287 | -- | (TIRE 33X15.5-16.5NHS 12PLY SKID STE) |
| 11 | P360500CG | -- | WING WELD - RIGHT 24R30 60FT CHASSIS GRAY (SHOWN) |
| -- | P360499CG | -- | WING WELD - LEFT 24R30 60FT CHASSIS GRAY |
| -- | P360499G | OPTIONAL | WING WELD - LEFT 24R30 60FT GREEN |
| -- | P360500G | OPTIONAL | WING WELD - RIGHT 24R30 60FT GREEN |
| -- | P360499 | OPTIONAL | WING WELD - LEFT 24R30 60FT RED |
| -- | P360500 | OPTIONAL | WING WELD - RIGHT 24R30 60FT RED |

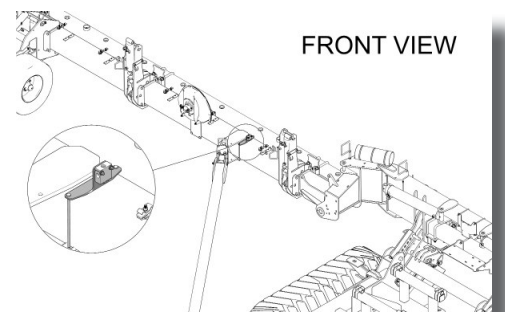
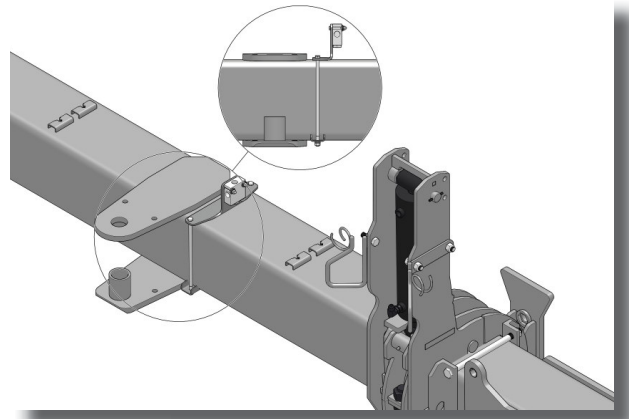
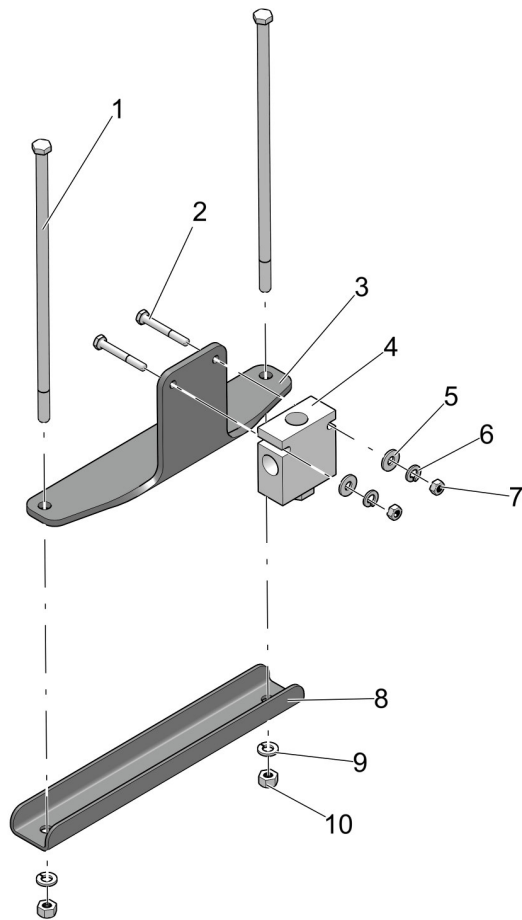


BRACE ARM HINGE (2 PLACES)

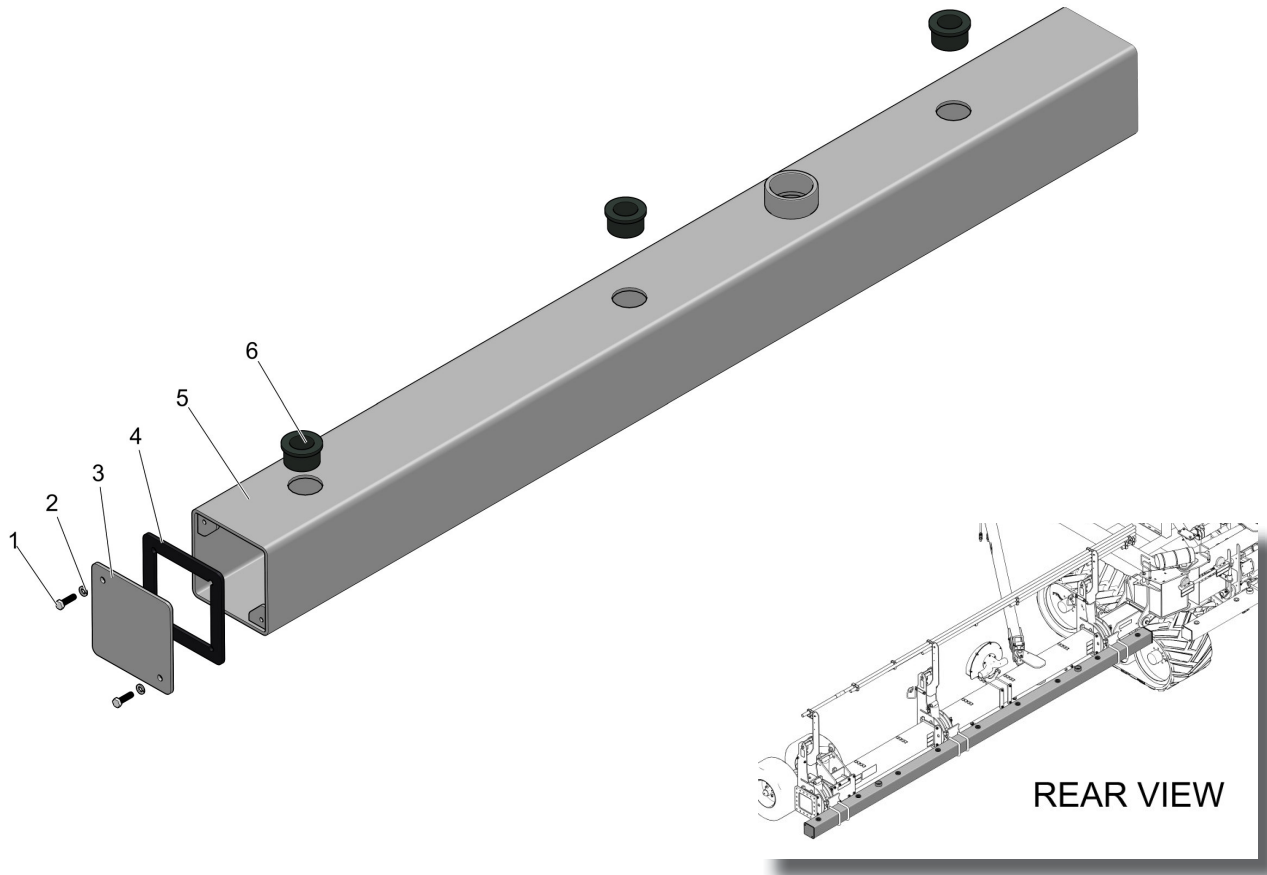
| ITEM | PART NUMBER | QTY | DESCRIPTION |
|------|-------------|----------|---|
| 1 | P360505 | -- | WING BRACE WELD - 60FT/10SQ |
| 2 | P88294 | 2 | BOLT-HEX: 5/8-11 X 2 5ZP |
| 3 | P88348 | 4 | NUT-LOCK: 2 POS 1-8NC 2ZP |
| 4 | P360150 | 1 | FORMED PLATE HOSE BRACKET |
| 5 | P88126 | 4 | NUT-HEX: 5/8-11 5ZP |
| 6 | P45633 | 1 | BOLT-U: 5/8-11NC X 4 X 5-1/2 ZP |
| 7 | P241265 | 2 | SPACER PLATE-WING BRACE HINGE |
| 8 | P247573 | 1 | PIN WELD - 2IN DIA X 11-3/4IN |
| 9 | P88369 | 2 | NUT-LOCK: 2 POS 5/8-11NC ZYZP |
| 10 | P360499CG | -- | WING WELD - LEFT 24R30 60FT CHASSIS GRAY (SHOWN) |
| -- | P360500CG | -- | WING WELD - RIGHT 24R30 60FT CHASSIS GRAY |
| -- | P360499G | OPTIONAL | WING WELD - LEFT 24R30 60FT GREEN |
| -- | P360500G | OPTIONAL | WING WELD - RIGHT 24R30 60FT GREEN |
| -- | P360499 | OPTIONAL | WING WELD - LEFT 24R30 60FT RED |
| -- | P360500 | OPTIONAL | WING WELD - RIGHT 24R30 60FT RED |
| 11 | P88447 | 4 | BOLT-HEX: 1-8 X 3-1/2 5ZP |
| 12 | P241279 | 1 | REAR HINGE WELD-WING BRACE |
| 13 | P241280 | 1 | FRONT HINGE WELD-WING BRACE |
| 14 | P241327 | 1 | PIN WELD 2 DIA X 6-3/4 |

**BRACE ARM HINGE (2 PLACES)**

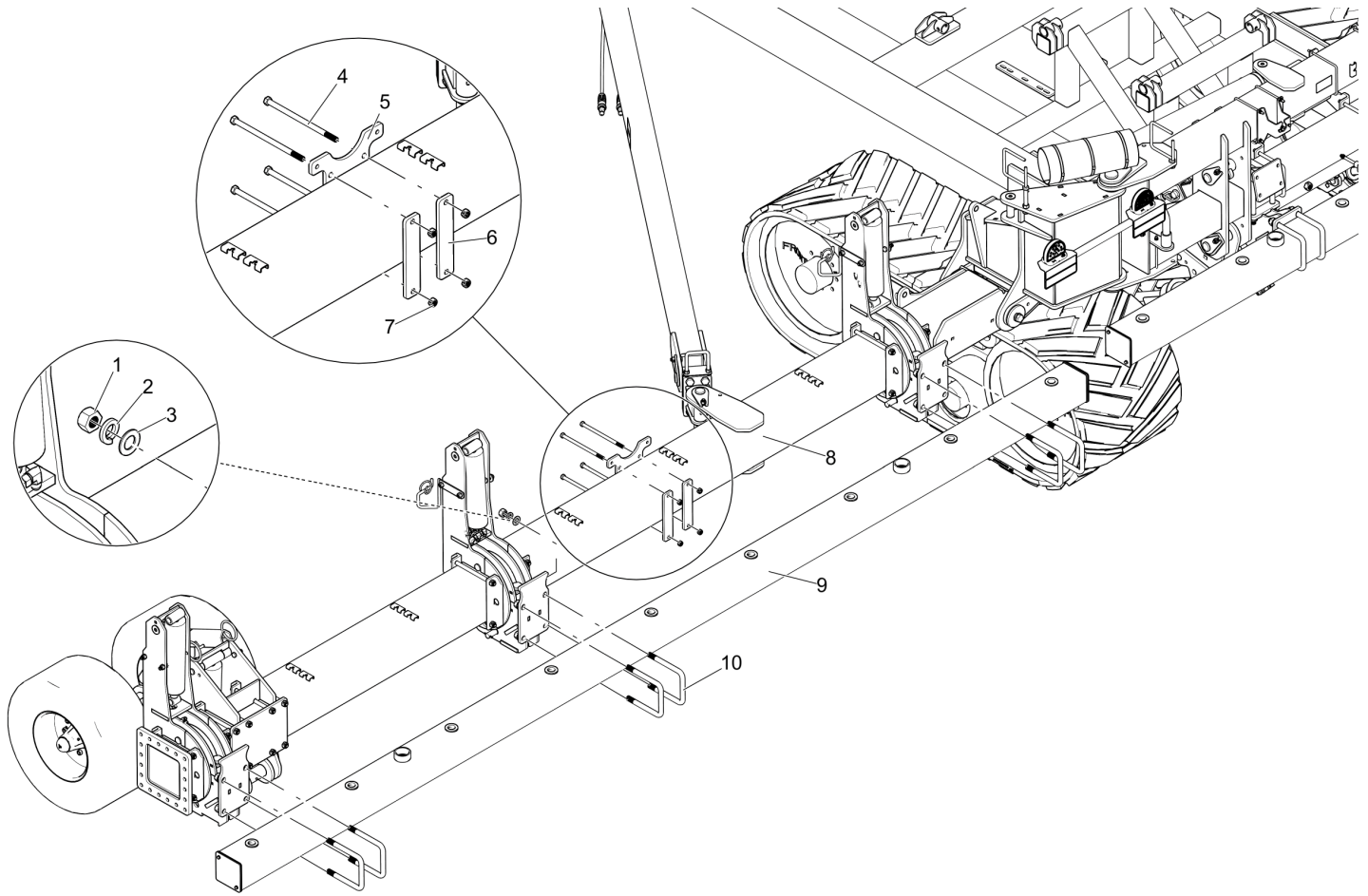
| ITEM | PART NUMBER | QTY | DESCRIPTION |
|------|-------------|----------|---|
| 1 | P360505 | -- | WING BRACE WELD - 60FT/10SQ |
| 2 | P88294 | 2 | BOLT-HEX: 5/8-11 X 2 5ZP |
| 3 | P88348 | 4 | NUT-LOCK: 2 POS 1-8NC 2ZP |
| 4 | P360150 | 1 | FORMED PLATE HOSE BRACKET |
| 5 | P88126 | 4 | NUT-HEX: 5/8-11 5ZP |
| 6 | P45633 | 1 | BOLT-U: 5/8-11NC X 4 X 5-1/2 ZP |
| 7 | P241265 | 2 | SPACER PLATE-WING BRACE HINGE |
| 8 | P247573 | 1 | PIN WELD - 2IN DIA X 11-3/4IN |
| 9 | P88369 | 2 | NUT-LOCK: 2 POS 5/8-11NC ZYZP |
| 10 | P360499CG | -- | WING WELD - LEFT 24R30 60FT CHASSIS GRAY (SHOWN) |
| -- | P360500CG | -- | WING WELD - RIGHT 24R30 60FT CHASSIS GRAY |
| -- | P360499G | OPTIONAL | WING WELD - LEFT 24R30 60FT GREEN |
| -- | P360500G | OPTIONAL | WING WELD - RIGHT 24R30 60FT GREEN |
| -- | P360499 | OPTIONAL | WING WELD - LEFT 24R30 60FT RED |
| -- | P360500 | OPTIONAL | WING WELD - RIGHT 24R30 60FT RED |
| 11 | P88447 | 4 | BOLT-HEX: 1-8 X 3-1/2 5ZP |
| 12 | P241279 | 1 | REAR HINGE WELD-WING BRACE |
| 13 | P241280 | 1 | FRONT HINGE WELD-WING BRACE |
| 14 | P241327 | 1 | PIN WELD 2 DIA X 6-3/4 |

**VALVE BLOCK BRACKET**

| ITEM | PART NUMBER | QTY | DESCRIPTION |
|------|-------------|-----|--------------------------------------|
| 1 | P89571 | 2 | BOLT-HEX: 3/8-NC X 11 5ZP |
| 2 | P89058 | 2 | BOLT-HEX: 1/4-20NC X 2 5Z |
| 3 | P354178 | 1 | MOUNTING PLATE CHECK VALVE PILOT 10 |
| 4 | P241317 | 1 | CHECK VALVE PILOT OPERATED |
| 5 | P88261 | 2 | WASHER FLAT: 1/4 (5/16 X 3/4ACT) 2ZP |
| 6 | P88262 | 2 | WASHER LOCK: 1/4ID (5/16ACT) ZP |
| 7 | P88172 | 2 | NUT-HEX-1/4-20NC 5ZP |
| 8 | P354184 | 1 | BACK PLATE CHECK VALVE MOUNT |
| 9 | P88362 | 2 | WASHER HELICAL: 3/8ID ZP |
| 10 | P88103 | 2 | NUT-HEX: 3/8-16NC 5ZP |

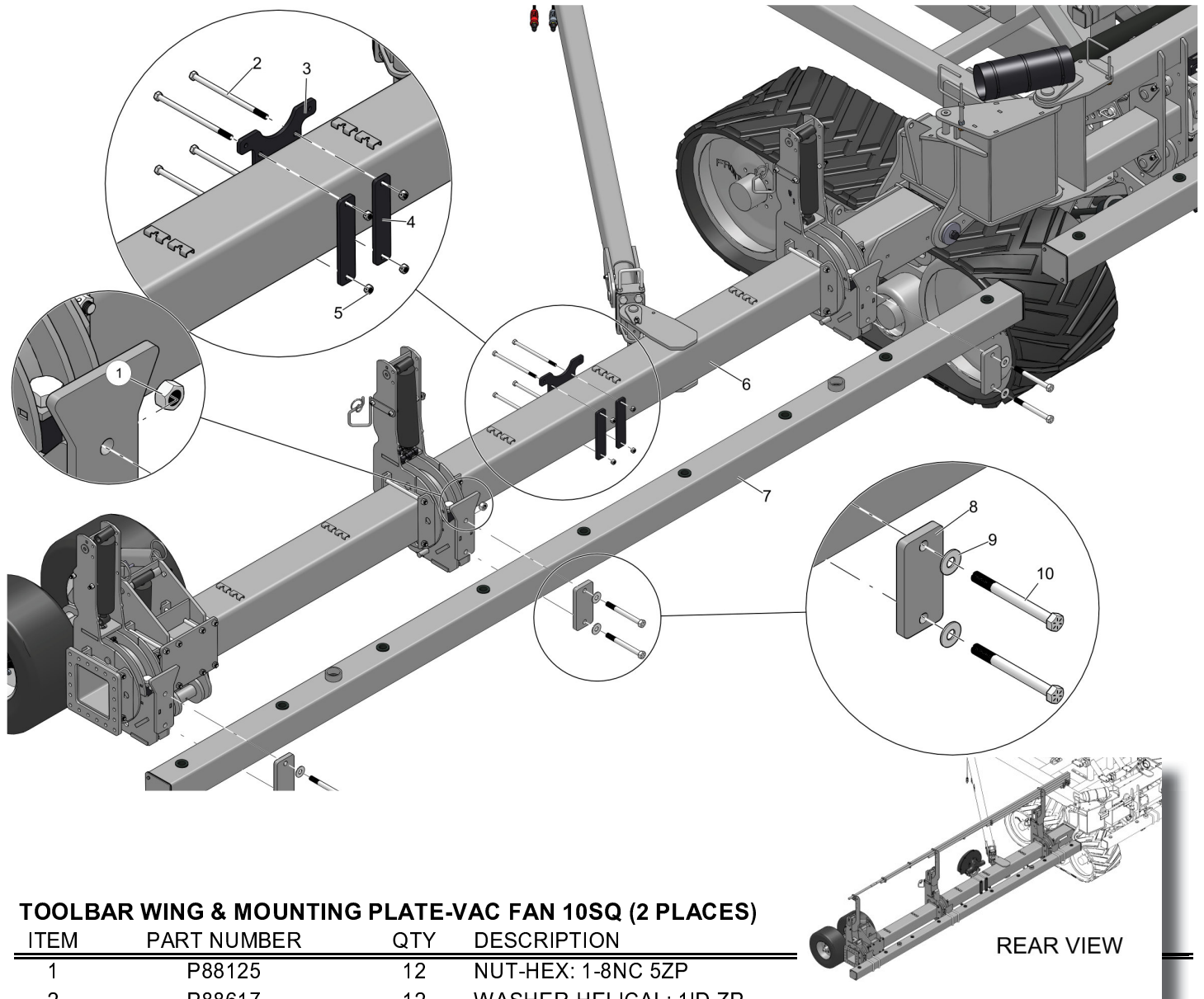
**TOOLBAR WELD WING (2 PLACES)**

| ITEM | PART NUMBER | QTY | DESCRIPTION |
|------|-------------|-----|--------------------------------|
| 1 | P88555 | 4 | BOLT-HEX: 3/8-16NC X 1-1/4 5ZP |
| 2 | P88362 | 4 | WASHER-HELICAL: 3/8 ID ZP |
| 3 | P246847 | 2 | END CAP-7SQ TUBE CLEAN OUT ZP |
| 4 | P246849 | 2 | GASKET-7SQ END CAP |
| 5 | 359938 | 1 | TOOLBAR WELD-WING 24R30 PP |
| 6 | P359939 | 9 | RUBBER BUSHING-REDUCER |



TOOLBAR WING & MOUNTING PLATE-VAC FAN 10SQ (2 PLACES) (NOT CURRENT)

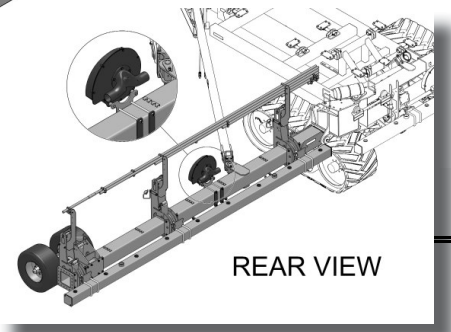
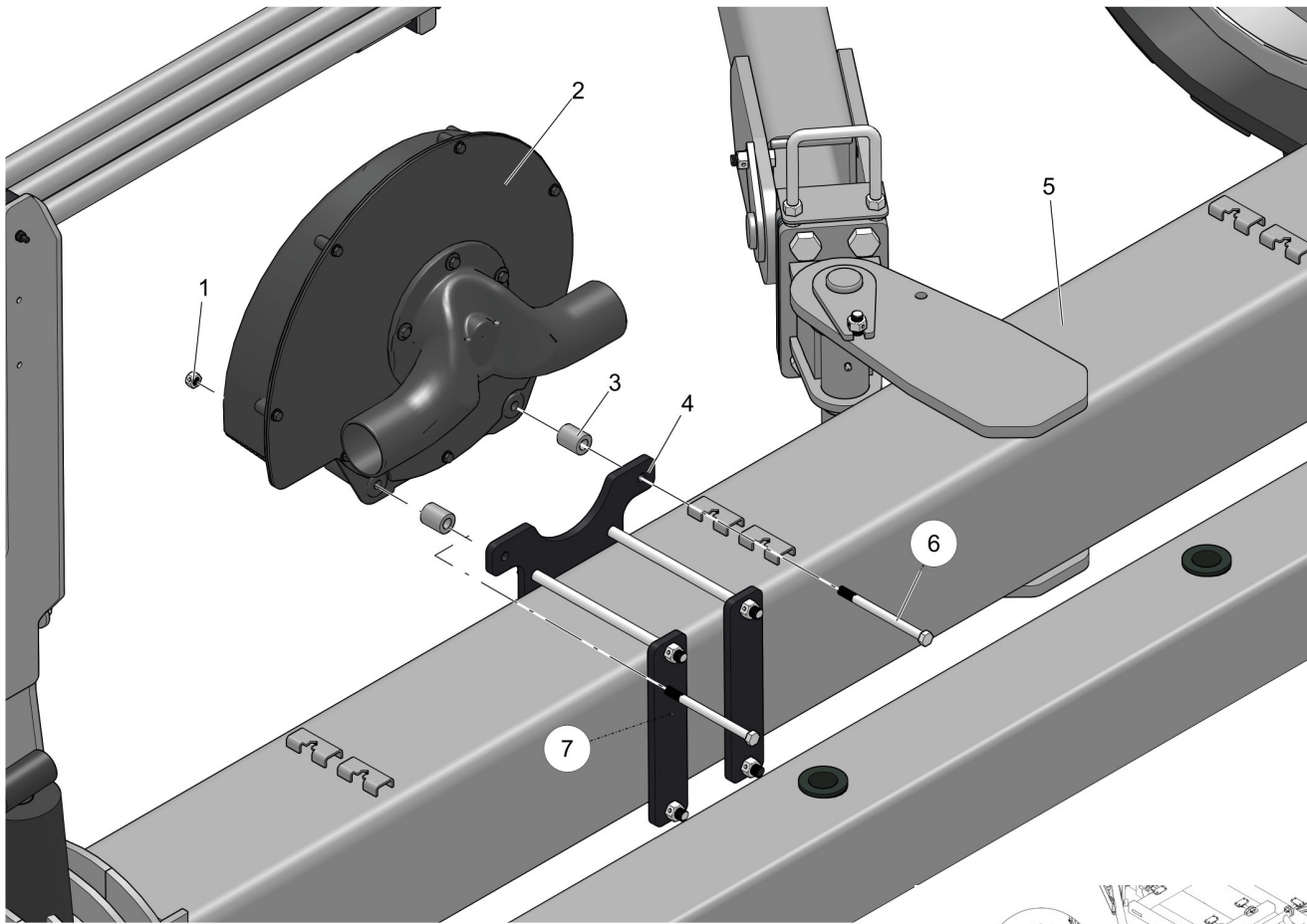
| ITEM | PART NUMBER | QTY | DESCRIPTION |
|------|-------------|----------|---|
| 1 | P88125 | 12 | NUT-HEX: 1-8NC 5ZP |
| 2 | P88617 | 12 | WASHER-HELICAL: 1ID ZP |
| 3 | P88738 | 12 | WASHER FLAT 1SAE (1-1/16 X 2 ACT) Z |
| 4 | P89341 | 4 | BOLT-HEX: 5/8-11NC X 12 5ZP |
| 5 | P360104 | 1 | MOUNTING PLATE-VAC FAN 10SQ |
| 6 | P360105 | 2 | BACK PLATE-VAC FAN 10SQ |
| 7 | P88369 | 4 | NUT-LOCK: 2POS 5/8-11NC 5YZP |
| 8 | P360499CG | -- | WING WELD - LEFT 24R30 60FT CHASSIS GRAY (SHOWN) |
| -- | P360500CG | -- | WING WELD - RIGHT 24R30 60FT CHASSIS GRAY |
| -- | P360499G | OPTIONAL | WING WELD - LEFT 24R30 60FT GREEN |
| -- | P360500G | OPTIONAL | WING WELD - RIGHT 24R30 60FT GREEN |
| -- | P360499 | OPTIONAL | WING WELD - LEFT 24R30 60FT RED |
| -- | P360500 | OPTIONAL | WING WELD - RIGHT 24R30 60FT RED |
| 9 | 359938 | 1 | TOOLBAR WELD-WING 24R30 PP |
| 10 | P241344 | 6 | BLT-U 1-8NC X 7X9-1/2 Z |



TOOLBAR WING & MOUNTING PLATE-VAC FAN 10SQ (2 PLACES)

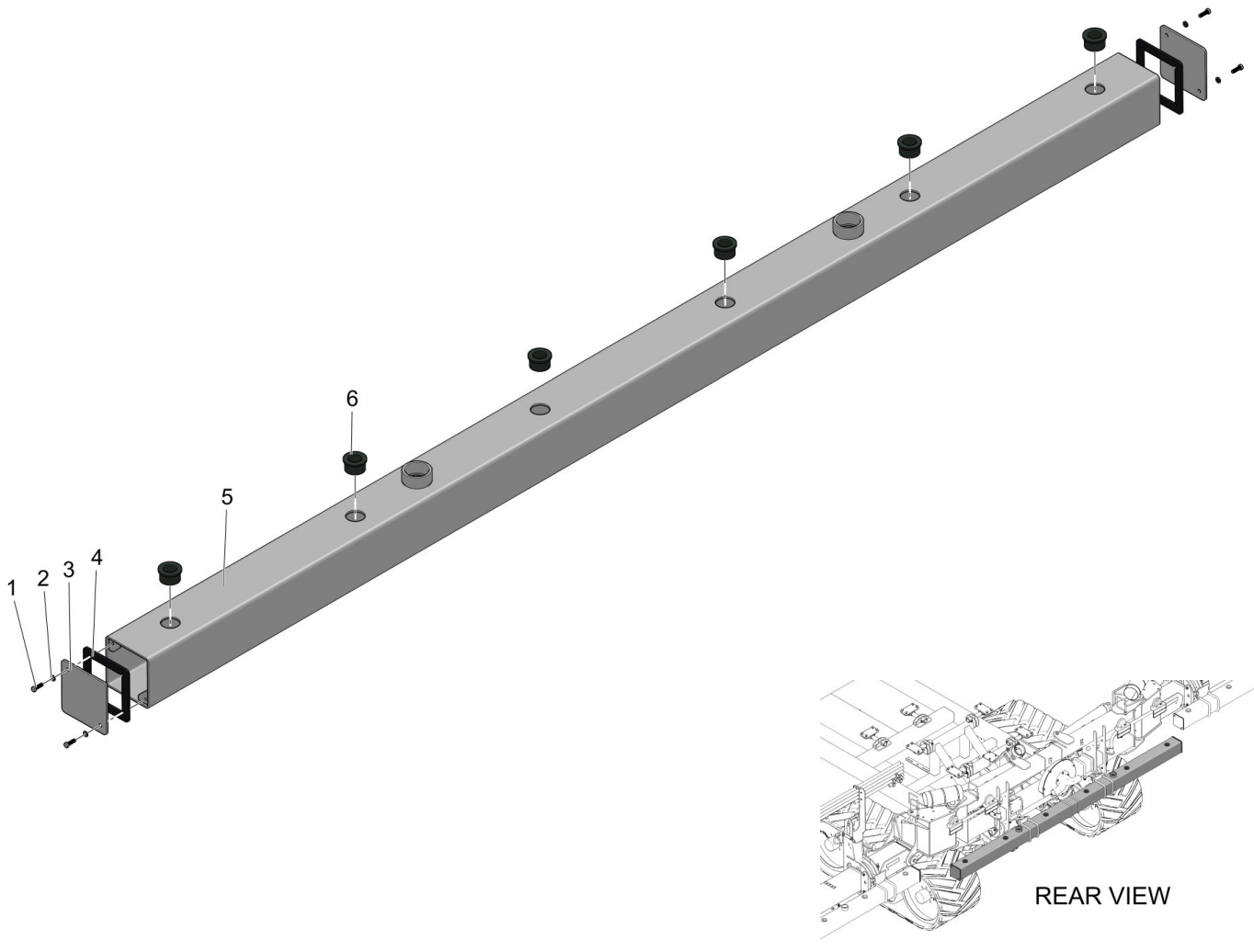
| ITEM | PART NUMBER | QTY | DESCRIPTION |
|------|-------------|----------|---|
| 1 | P88125 | 12 | NUT-HEX: 1-8NC 5ZP |
| 2 | P88617 | 12 | WASHER-HELICAL: 1ID ZP |
| 3 | P88738 | 12 | WASHER FLAT 1SAE (1-1/16 X 2 ACT) Z |
| 4 | P89341 | 4 | BOLT-HEX: 5/8-11NC X 12 5ZP |
| 5 | P360104 | 1 | MOUNTING PLATE-VAC FAN 10SQ |
| 6 | P360105 | 2 | BACK PLATE-VAC FAN 10SQ |
| 7 | P88369 | 4 | NUT-LOCK: 2POS 5/8-11NC 5YZP |
| 8 | P360499CG | -- | WING WELD - LEFT 24R30 60FT CHASSIS GRAY (SHOWN) |
| -- | P360500CG | -- | WING WELD - RIGHT 24R30 60FT CHASSIS GRAY |
| -- | P360499G | OPTIONAL | WING WELD - LEFT 24R30 60FT GREEN |
| -- | P360500G | OPTIONAL | WING WELD - RIGHT 24R30 60FT GREEN |
| -- | P360499 | OPTIONAL | WING WELD - LEFT 24R30 60FT RED |
| -- | P360500 | OPTIONAL | WING WELD - RIGHT 24R30 60FT RED |
| 9 | 359938 | 1 | TOOLBAR WELD-WING 24R30 PP |
| 10 | P241344 | 6 | BLT-U 1-8NC X 7X9-1/2 Z |

REAR VIEW



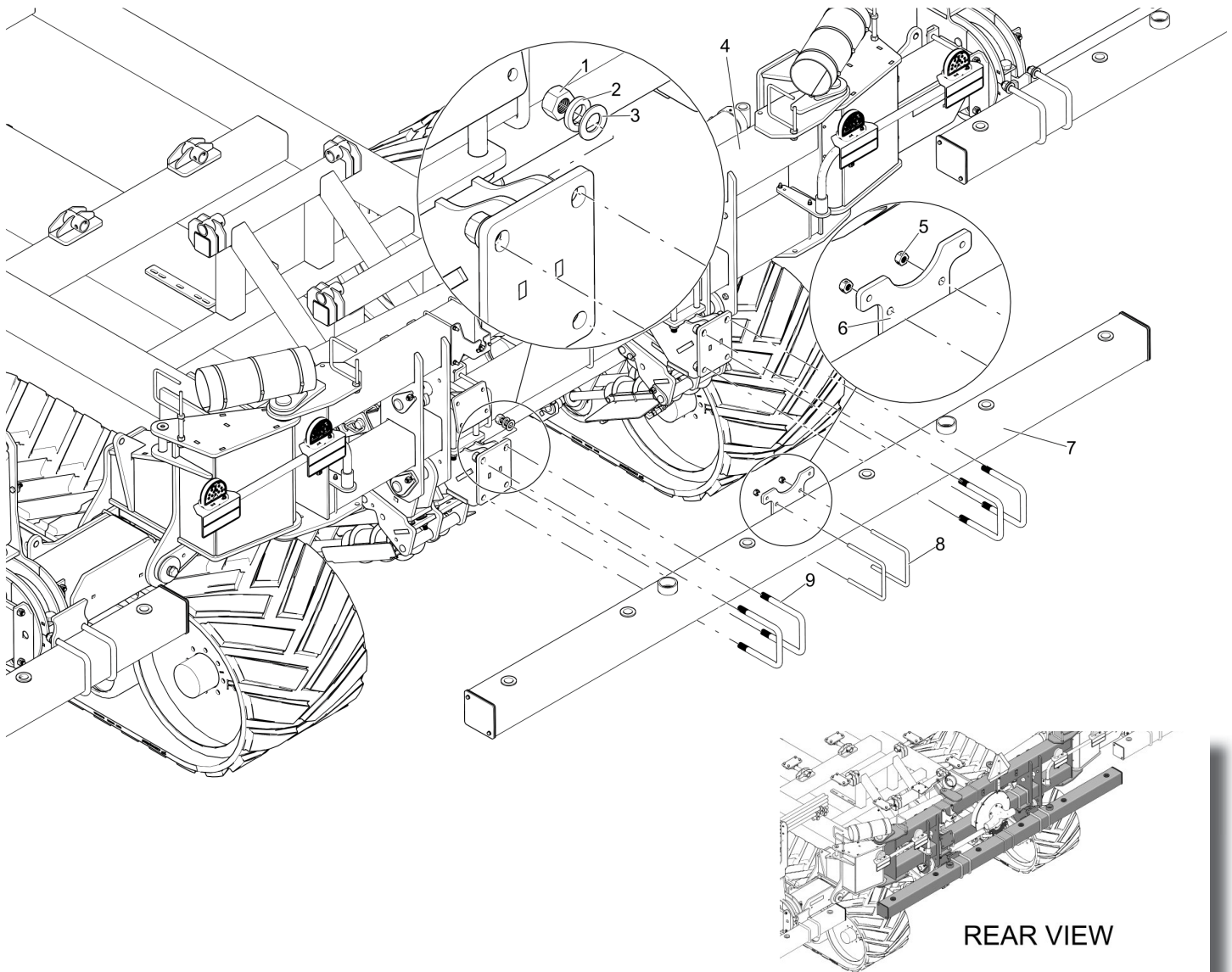
OUTER VACUUM FAN ASSEMBLY (2 PLACES)

| ITEM | PART NUMBER | QTY | DESCRIPTION |
|------|-------------------|----------|---|
| 1 | P88363 | 2 | NUT-LOCK: 2 POS 1/2-13NC 2ZP |
| 2 | ITEM NOT SUPPLIED | -- | VACUUM FAN WITH DIVIDER |
| 3 | P359356 | 2 | BUSHING-SPACER VAC FAN |
| 4 | P360104 | 1 | MOUNTING PLATE-VAC FAN 10SQ |
| 5 | P360499CG | -- | WING WELD - LEFT 24R30 60FT CHASSIS GRAY (SHOWN) |
| -- | P360500CG | -- | WING WELD - RIGHT 24R30 60FT CHASSIS GRAY |
| -- | P360499G | OPTIONAL | WING WELD - LEFT 24R30 60FT GREEN |
| -- | P360500G | OPTIONAL | WING WELD - RIGHT 24R30 60FT GREEN |
| -- | P360499 | OPTIONAL | WING WELD - LEFT 24R30 60FT RED |
| -- | P360500 | OPTIONAL | WING WELD - RIGHT 24R30 60FT RED |
| 6 | P88676 | 2 | BOLT-HEX: 1/2-13NC X 6-1/2 5Z |
| 7 | P360105 | 2 | BACK PLATE VAC FAN 10SQ |



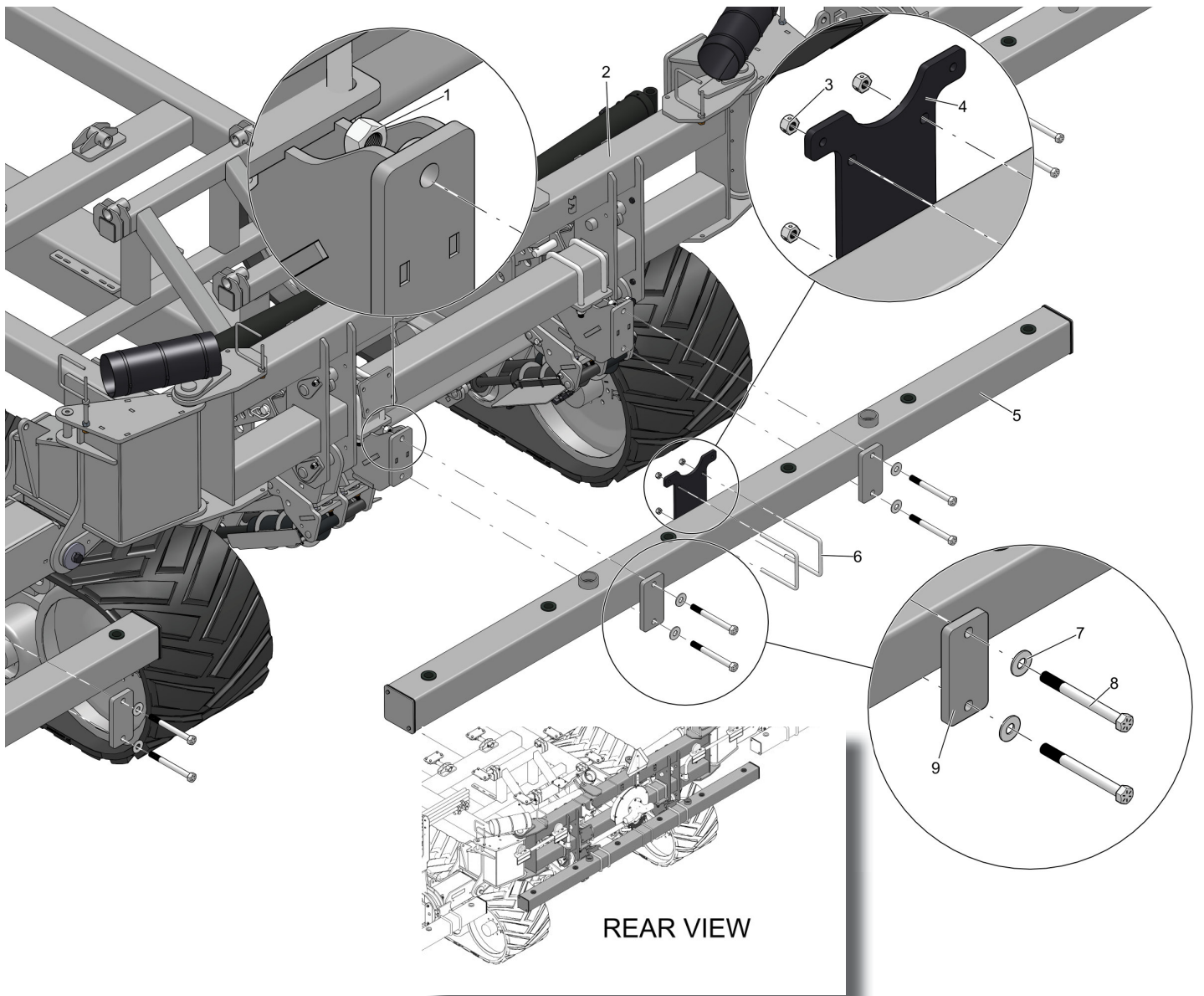
TOOLBAR WELD CENTER

| ITEM | PART NUMBER | QTY | DESCRIPTION |
|------|-------------|-----|--------------------------------|
| 1 | P88555 | 4 | BOLT-HEX: 3/8-16NC X 1-1/4 5ZP |
| 2 | P88362 | 4 | WASHER-HELICAL: 3/8 ID ZP |
| 3 | P246847 | 2 | END CAP-7SQ TUBE CLEAN OUT ZP |
| 4 | P246849 | 2 | GASKET-7SQ END CAP |
| 5 | 359936 | 1 | TOOLBAR WELD-CENTER 24R30 PP |
| 6 | P359939 | 6 | RUBBER BUSHING-REDUCER |



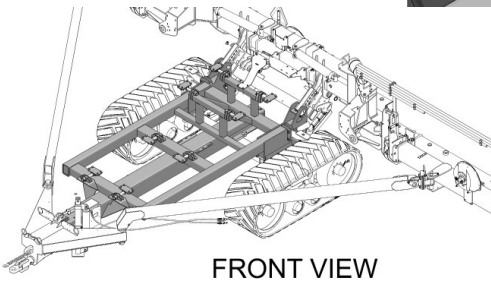
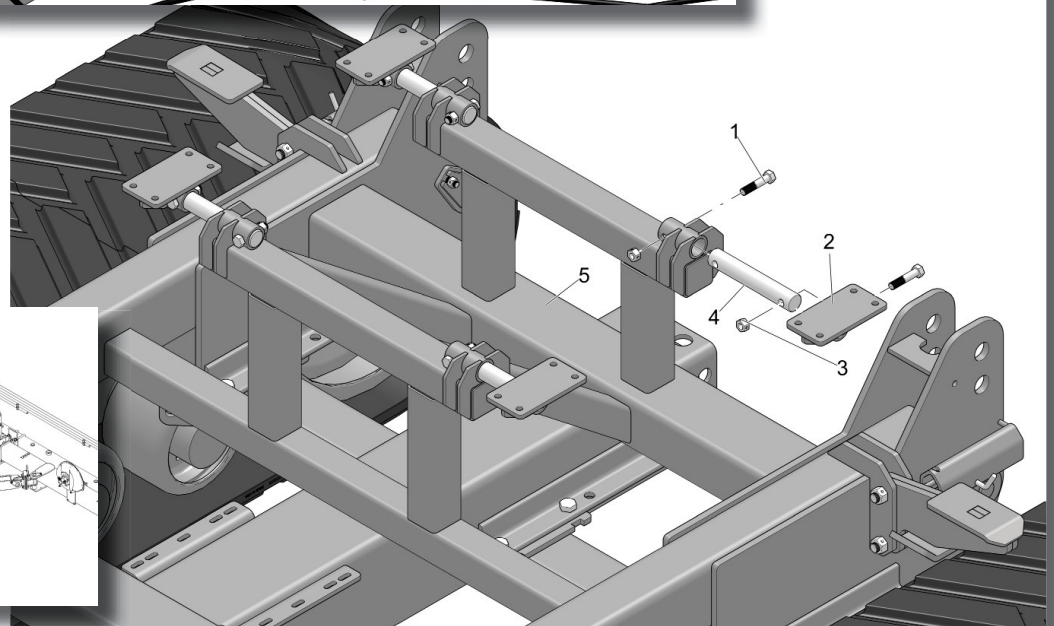
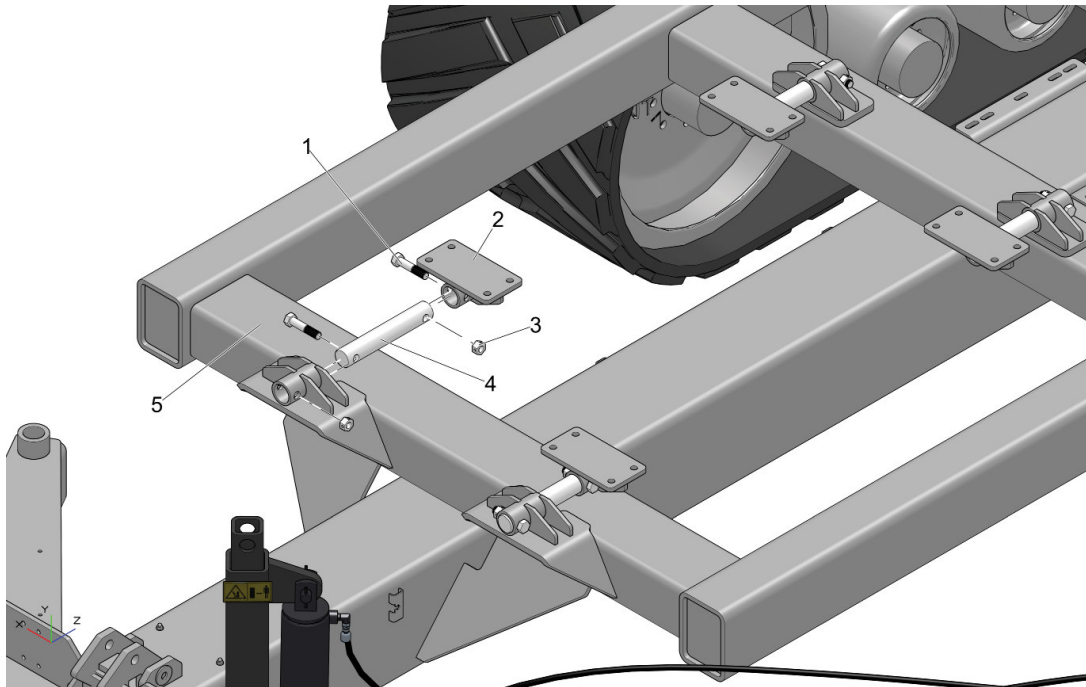
MOUNTING CENTER TOOLBAR & MOUNTING PLATE-VAC FAN

| ITEM | PART NUMBER | QTY | DESCRIPTION |
|------|-------------|----------|---|
| 1 | P88125 | 8 | NUT-HEX: 1-8NC 5ZP |
| 2 | P88617 | 8 | WASHER-HELICAL: 1ID ZP |
| 3 | P88738 | 8 | WASHER FLAT 1SAE (1-1/16 X 2 ACT) Z |
| 4 | P241171CG | -- | CENTER LIFT FRAME CHASSIS GRAY (SHOWN) |
| -- | P241171G | OPTIONAL | CENTER LIFT FRAME GREEN |
| -- | P241171 | OPTIONAL | CENTER LIFT FRAME RED |
| 5 | P88369 | 4 | NUT-LOCK: 2POS 5/8-11NC 5YZP |
| 6 | P359355 | 1 | MOUNTING PLATE-VAC FAN |
| 7 | 359936 | -- | TOOLBAR WELD-CENTER 24R30 PP |
| 8 | P89351 | 2 | BLT-U 5/8-11NC X 7X8-1/2 Z |
| 9 | P241344 | 4 | BLT-U 1-8NC X 7X9-1/2 Z |



MOUNTING CENTER TOOLBAR & MOUNTING PLATE-VAC FAN (CURRENT)

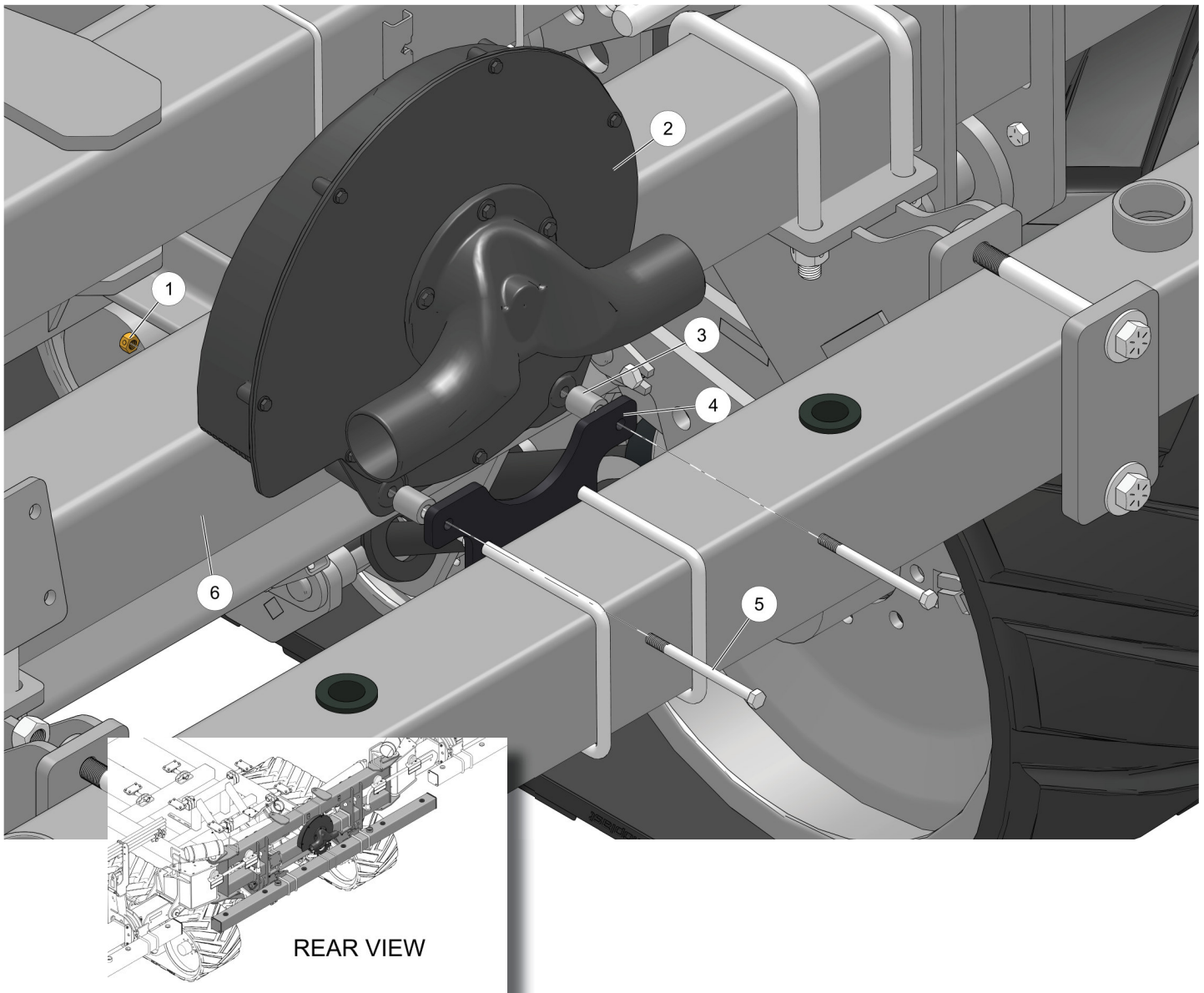
| ITEM | PART NUMBER | QTY | DESCRIPTION |
|------|-------------|----------|---|
| 1 | P241344 | 4 | BLT-U 1-8NC X 7X9-1/2 Z |
| 2 | P241171CG | -- | CENTER LIFT FRAME CHASSIS GRAY (SHOWN) |
| -- | P241171G | OPTIONAL | CENTER LIFT FRAME GREEN |
| -- | P241171 | OPTIONAL | CENTER LIFT FRAME RED |
| 3 | P88369 | 4 | NUT-LOCK: 2POS 5/8-11NC 5YZP |
| 4 | P359355 | 1 | MOUNTING PLATE-VAC FAN |
| 5 | 359936 | -- | TOOLBAR WELD-CENTER 24R30 PP |
| 6 | P89351 | 2 | BLT-U 5/8-11NC X 7X8-1/2 Z |
| 7 | P89397 | 4 | HARDENED WASHER 31MM ID X 56MM OD |
| 8 | P89404 | 4 | BOLT-HEX: 1-14NF X 10 8YZP |
| 9 | P360467 | 2 | BACK PLATE-SINGLE BOLT MNT SEC TB |



FRONT VIEW

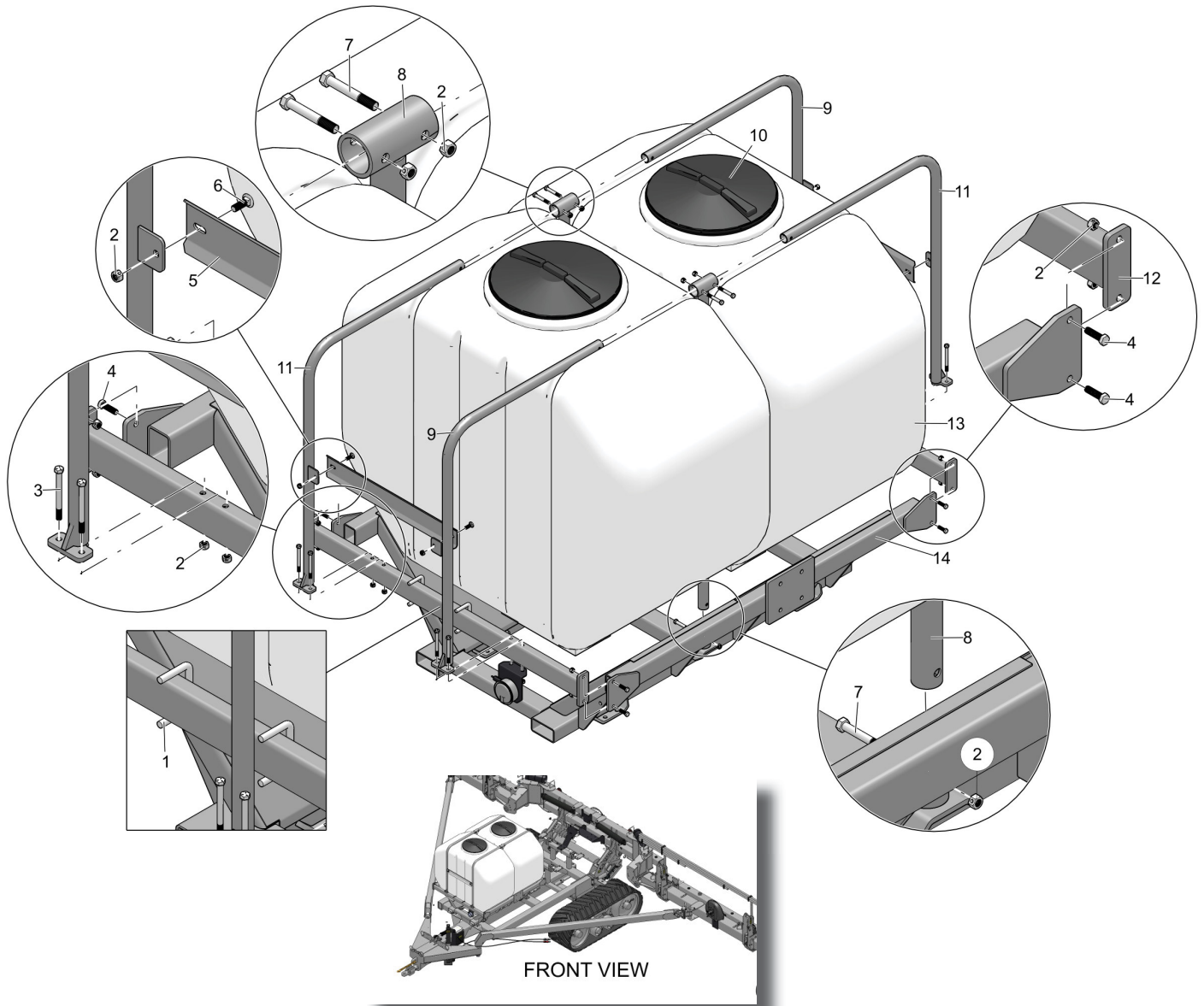
FRONT & REAR CRADLE MOUNTS WITH BLANK LOAD SHAFT (8 PLACES)

| ITEM | PART NUMBER | QTY | DESCRIPTION |
|------|-------------|----------|--|
| 1 | P88111 | 2 | BOLT-HEX: 3/4-10NC X 3-1/2 5ZP |
| 2 | P247366 | 1 | MOUNTING PLATE WELD-LOAD CELL |
| 3 | P88356 | 2 | NUT-LOCK: 2POS 3/4-10NC 5YZP |
| 4 | P248033 | 1 | SHAFT-1-7/8DIAX11-1/4 BLANK LOAD CELL |
| 5 | P350496CG | 1 | MAINFRAME WELD 60 & 66FT PB CHASSIS GRAY |
| -- | P350496G | OPTIONAL | MAINFRAME WELD 60 & 66FT PB GREEN |
| -- | P350496 | OPTIONAL | MAINFRAME WELD 60 & 66FT PB RED |



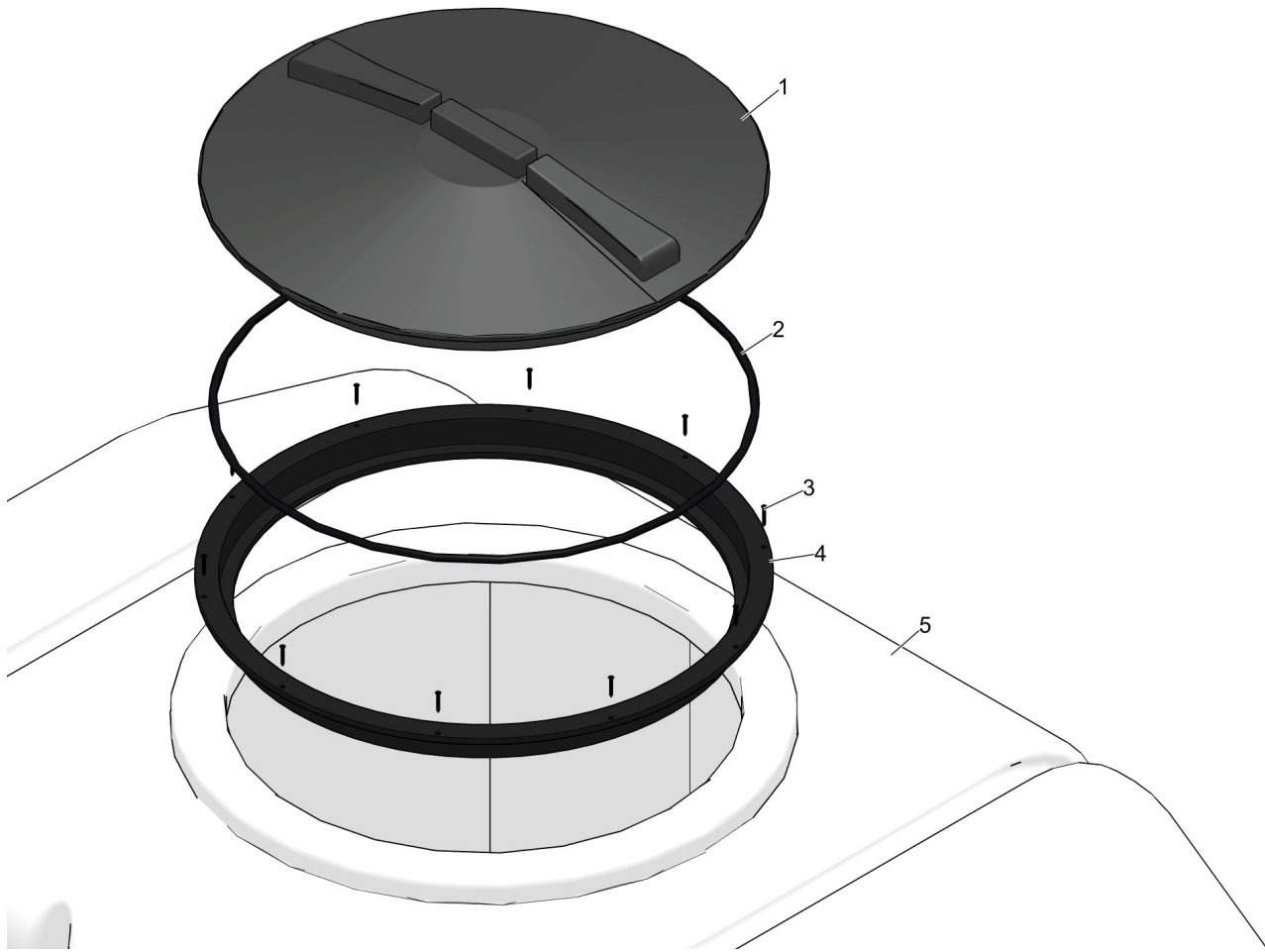
CENTER VACUUM FAN ASSEMBLY

| ITEM | PART NUMBER | QTY | DESCRIPTION |
|------|-------------------|----------|---|
| 1 | P88363 | 2 | NUT-LOCK: 2 POS 1/2-13NC 2ZP |
| 2 | ITEM NOT SUPPLIED | -- | VACUUM FAN WITH DIVIDER |
| 3 | P359356 | 2 | BUSHING-SPACER VAC FAN |
| 4 | P359355 | 1 | MOUNTING PLATE-VAC FAN |
| 5 | P88676 | 2 | BOLT-HEX: 1/2-13NC X 6-1/2 5Z |
| 6 | P241171CG | -- | CENTER LIFT FRAME CHASSIS GRAY (SHOWN) |
| -- | P241171G | OPTIONAL | CENTER LIFT FRAME GREEN |
| -- | P241171 | OPTIONAL | CENTER LIFT FRAME RED |



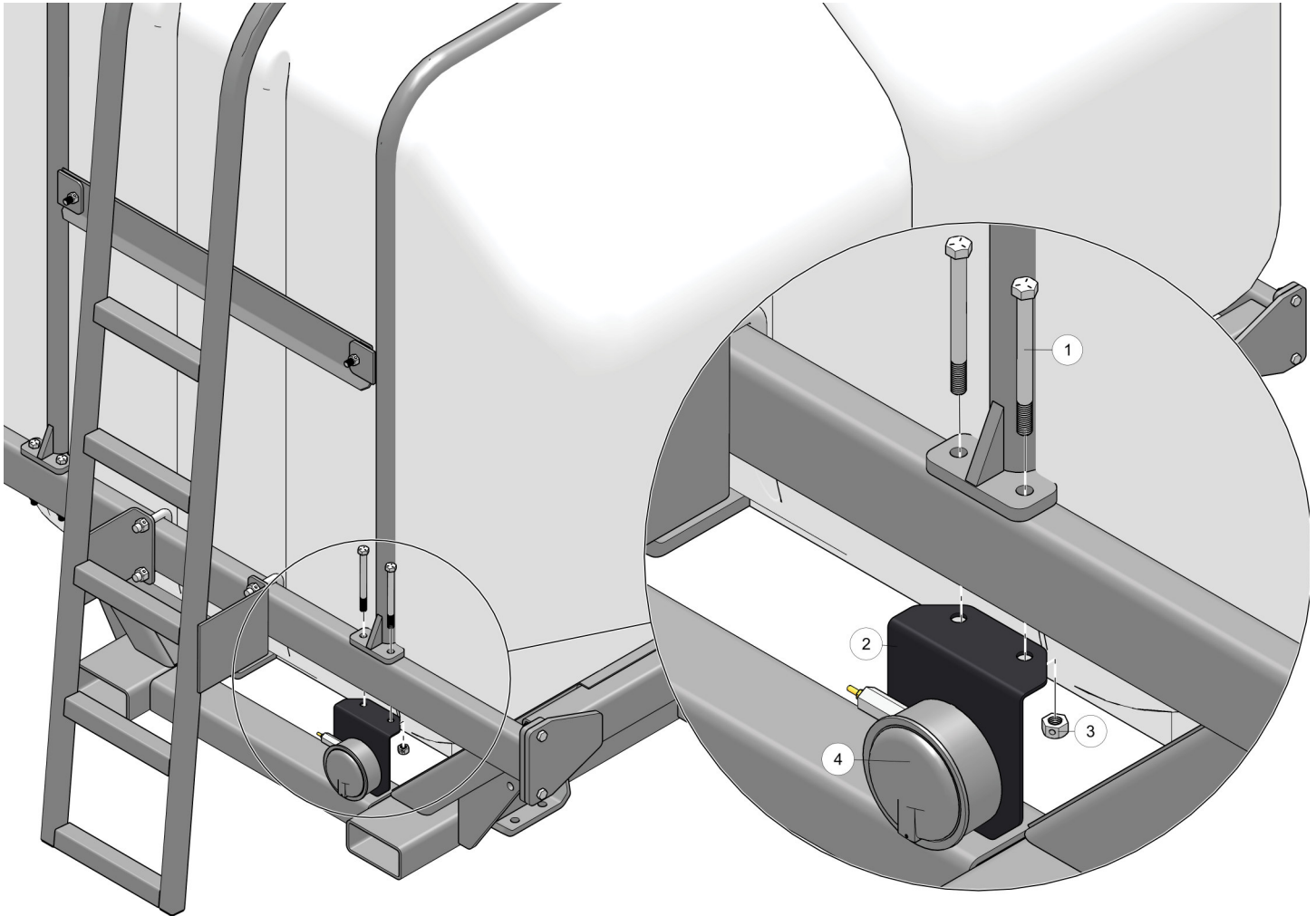
FRONT TANK CRADLE ASSEMBLY

| ITEM | PART NUMBER | QTY | DESCRIPTION |
|------|-------------|-----|---|
| 1 | P88388 | 2 | BLT-U 5/8-11NC X 4 X 3-1/4 Z |
| 2 | P88363 | 26 | NUT-LOCK: 2 POS 1/2-13NC 2ZP |
| 3 | P88574 | 8 | BOLT-HEX: 1/2-13NC X 5-1/2 5Z |
| 4 | P88517 | 8 | BOLT-HEX: 1/2-13NC X 1-3/4 5ZP |
| 5 | P243889 | 2 | FORMED CHANNEL-SIDE TANK SUPPORT |
| 6 | P88873 | 4 | BOLT-CRG 1/2-13NC X 1-1/2 5Z |
| 7 | P88507 | 6 | BOLT-HEX: 1/2-13NC X 3-1/2 5ZP |
| 8 | P243191 | 2 | CENTER TUBE WELD-TANK SUPPORT |
| 9 | P243195 | 2 | OUTER TUBE WELD RH-TANK SUPPORT |
| 10 | P245259 | 2 | VENTED TANK COVER 75BU TANK WITH INSERT |
| 11 | P243886 | 2 | OUTER TUBE WELD-LH TANK SUPPORT |
| 12 | P243196 | 2 | TUBE WELD-SIDE SUPPORT |
| 13 | P243185 | 2 | 75BU 750GAL POLY TANK |
| 14 | P243199 | 1 | CRADLE WELD-750 GAL TANK |



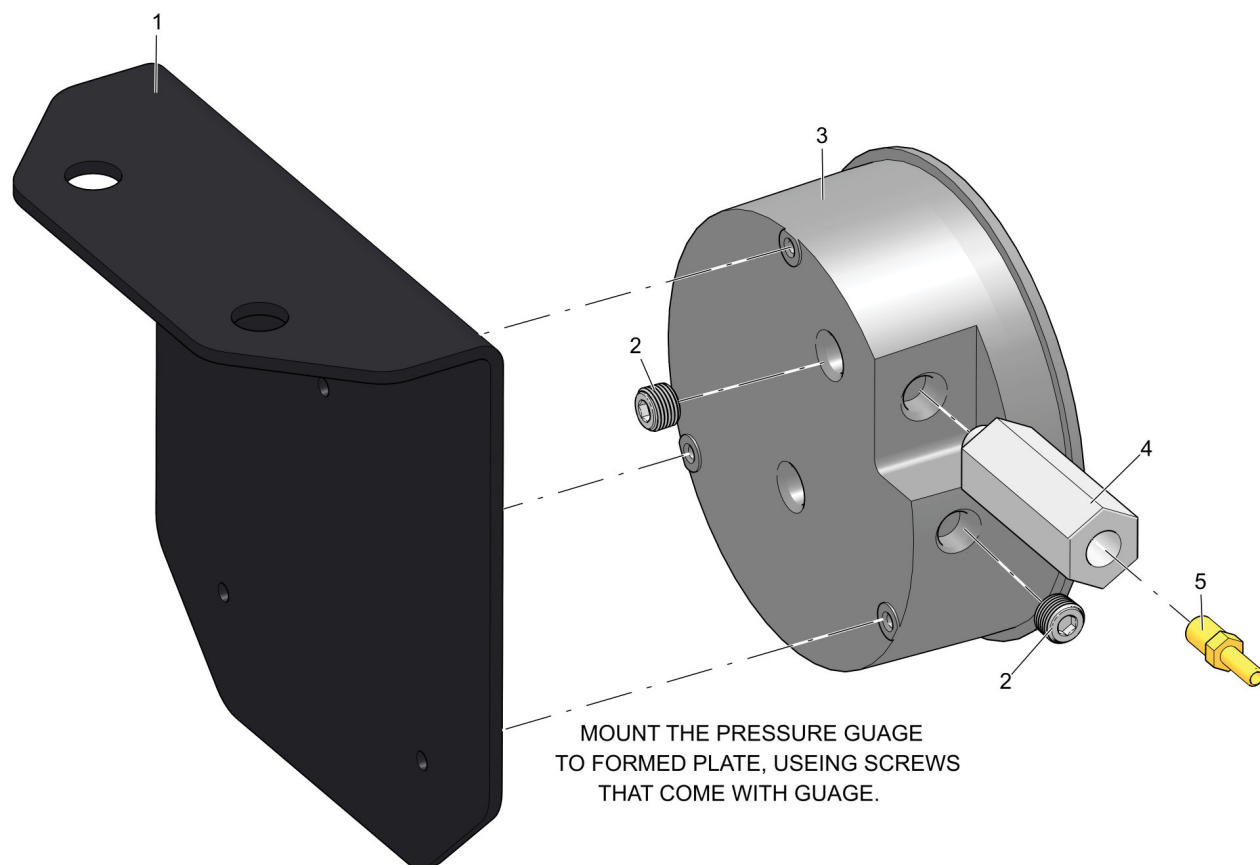
FRONT TANK COVER ASSEMBLY (2 PLACES)

| ITEM | PART NUMBER | QTY | DESCRIPTION |
|------|-------------|-----|---|
| 1 | P245259 | 1 | VENTED TANK COVER 75BU TANK WITH INSERT |
| 2 | P244187 | 1 | RUBBER GASKET-75BU POLY TANK |
| 3 | P359999 | 10 | SCREW-SHEET METAL: 10-12 X 1 PHILIPS DRIVE FLAT HS SS |
| 4 | P244335 | 1 | LID INSERT 75BU TANK |
| 5 | P243185 | 1 | 75BU 750GAL POLY TANK |

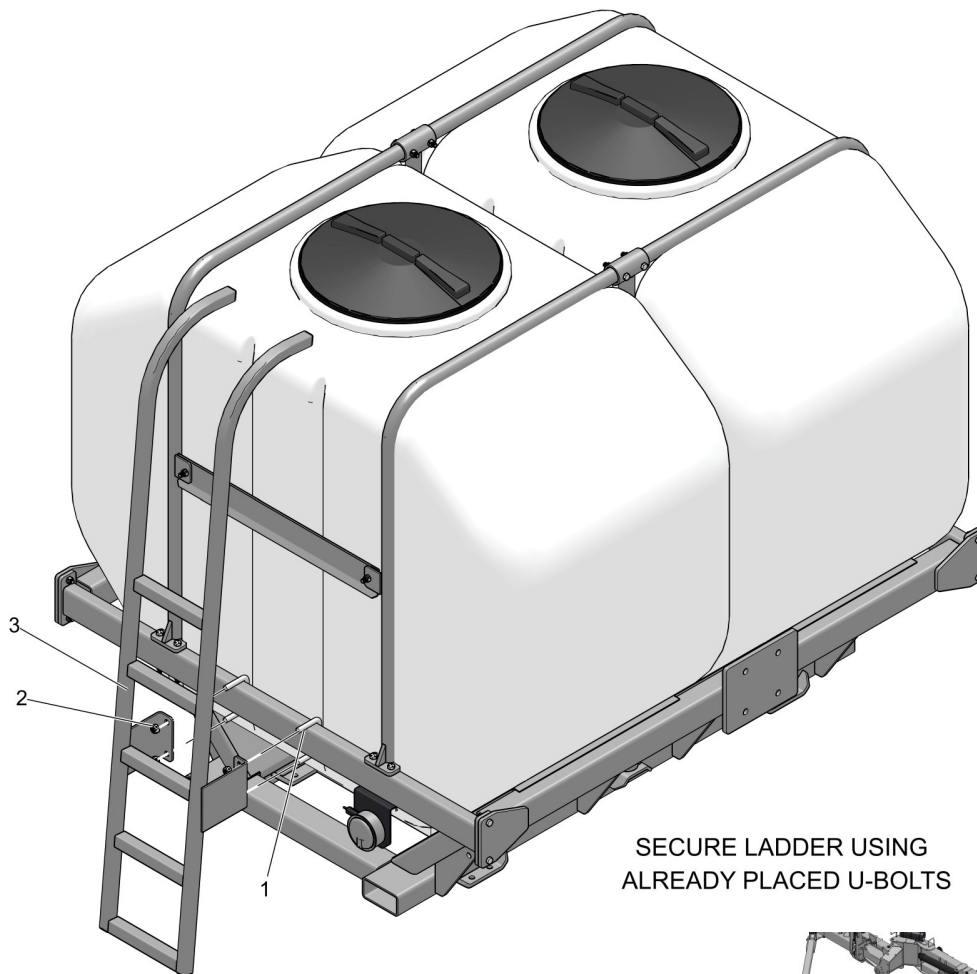


AIR PRESSURE GAUGE INSTALLATION

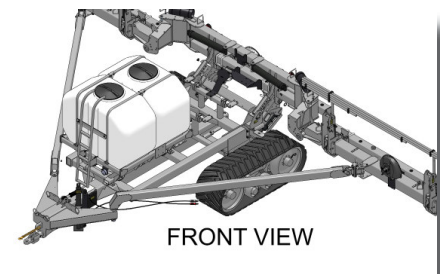
| ITEM | PART NUMBER | QTY | DESCRIPTION |
|------|-------------|-----|-----------------------------------|
| 1 | P88574 | 2 | BOLT-HEX: 1/2-13NC X 5-1/2 5Z |
| 2 | P358960 | 1 | FORMED PLATE - AIR PRESSURE GAUGE |
| 3 | P88363 | 2 | NUT-LOCK: 2 POS 1/2-13NC 2ZP |
| 4 | P353268 | 1 | AIR PRESSURE GAUGE 0-6IN KT |

**AIR PRESSURE GAUGE**

| ITEM | PART NUMBER | QTY | DESCRIPTION |
|------|-------------|-----|-----------------------------------|
| 1 | P358960 | 1 | FORMED PLATE - AIR PRESSURE GAUGE |
| 2 | 88320 | 2 | ALLEN HD PLUG 1/8 NPT |
| 3 | P354725 | 1 | AIR PRESSURE GAUGE 0-60IN |
| 4 | P354407 | 1 | AIR FILTER A-392 |
| 5 | P354406 | 1 | 1/8 NPT X 1/8 HOSE BARB FITTING |



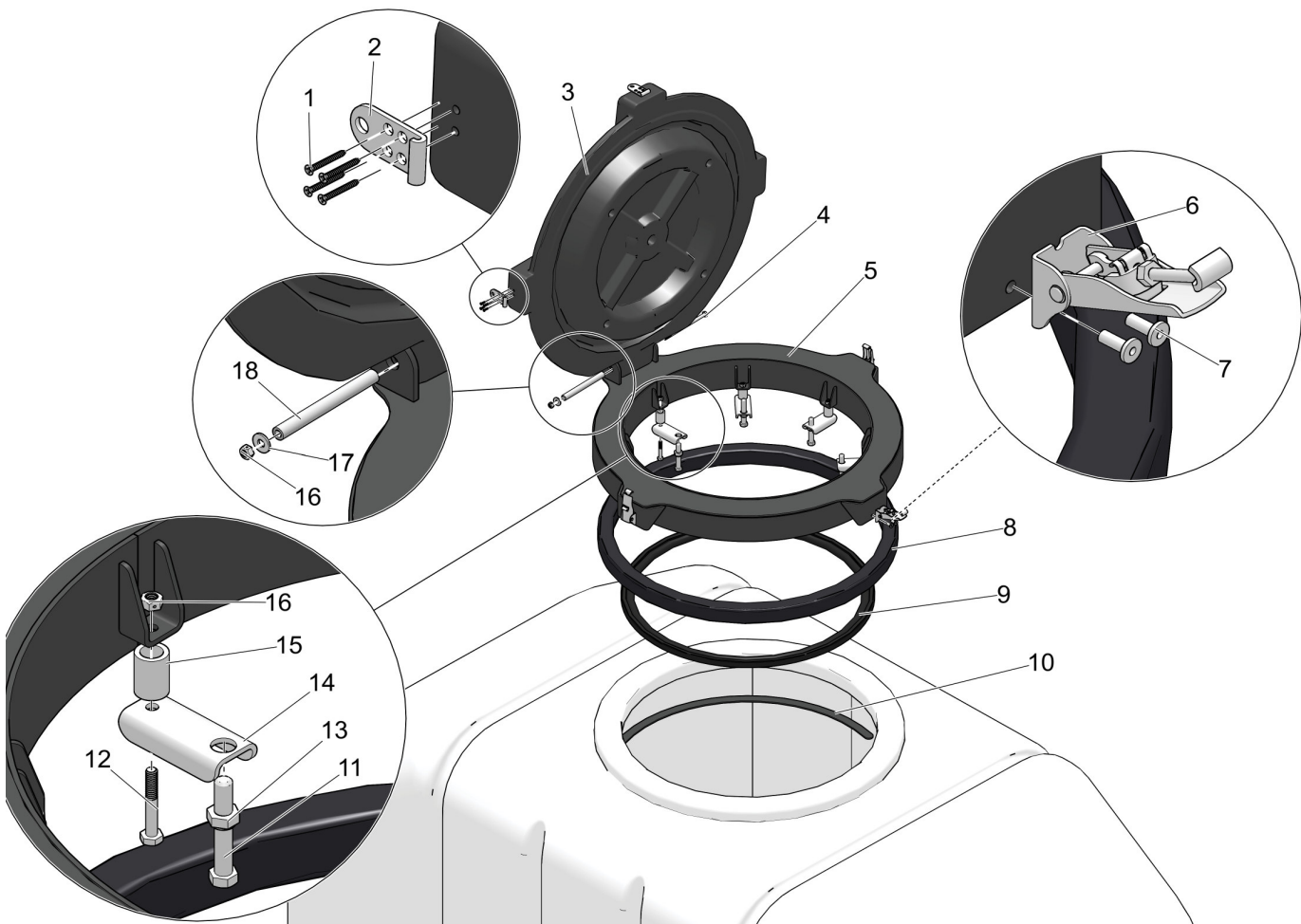
SECURE LADDER USING
ALREADY PLACED U-BOLTS



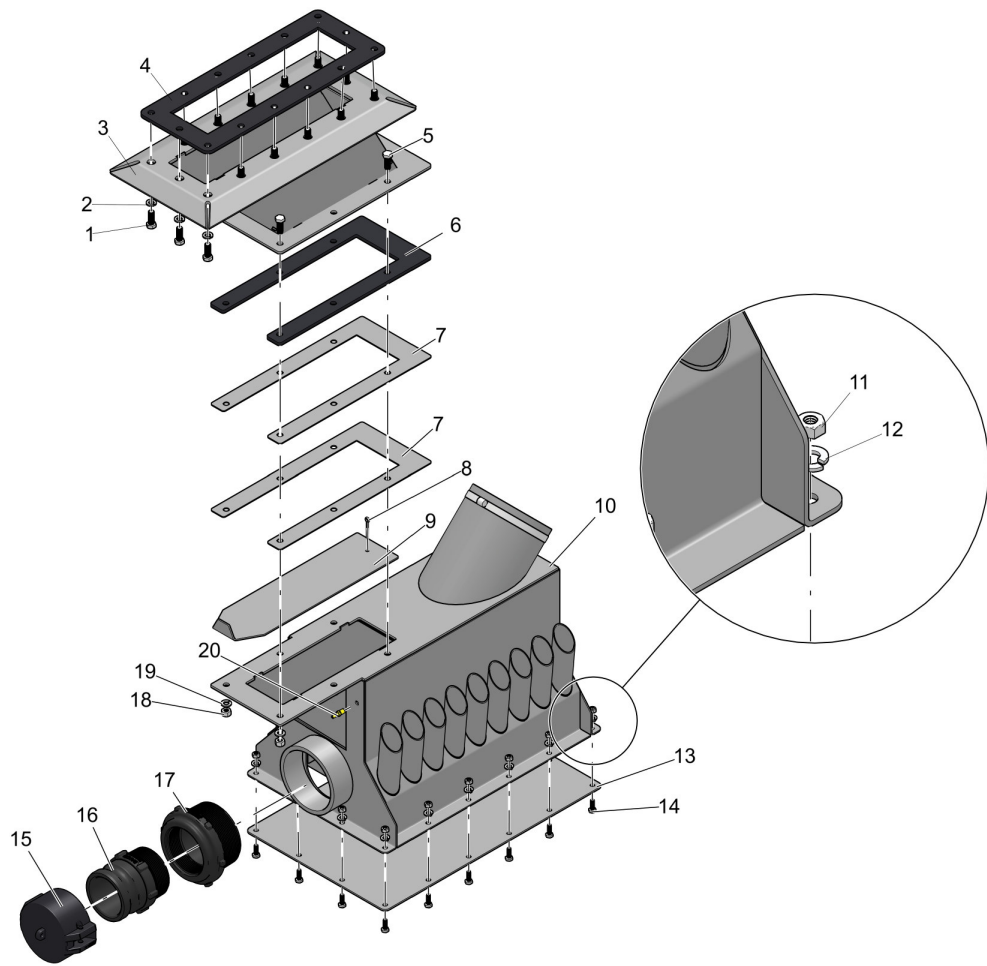
FRONT VIEW

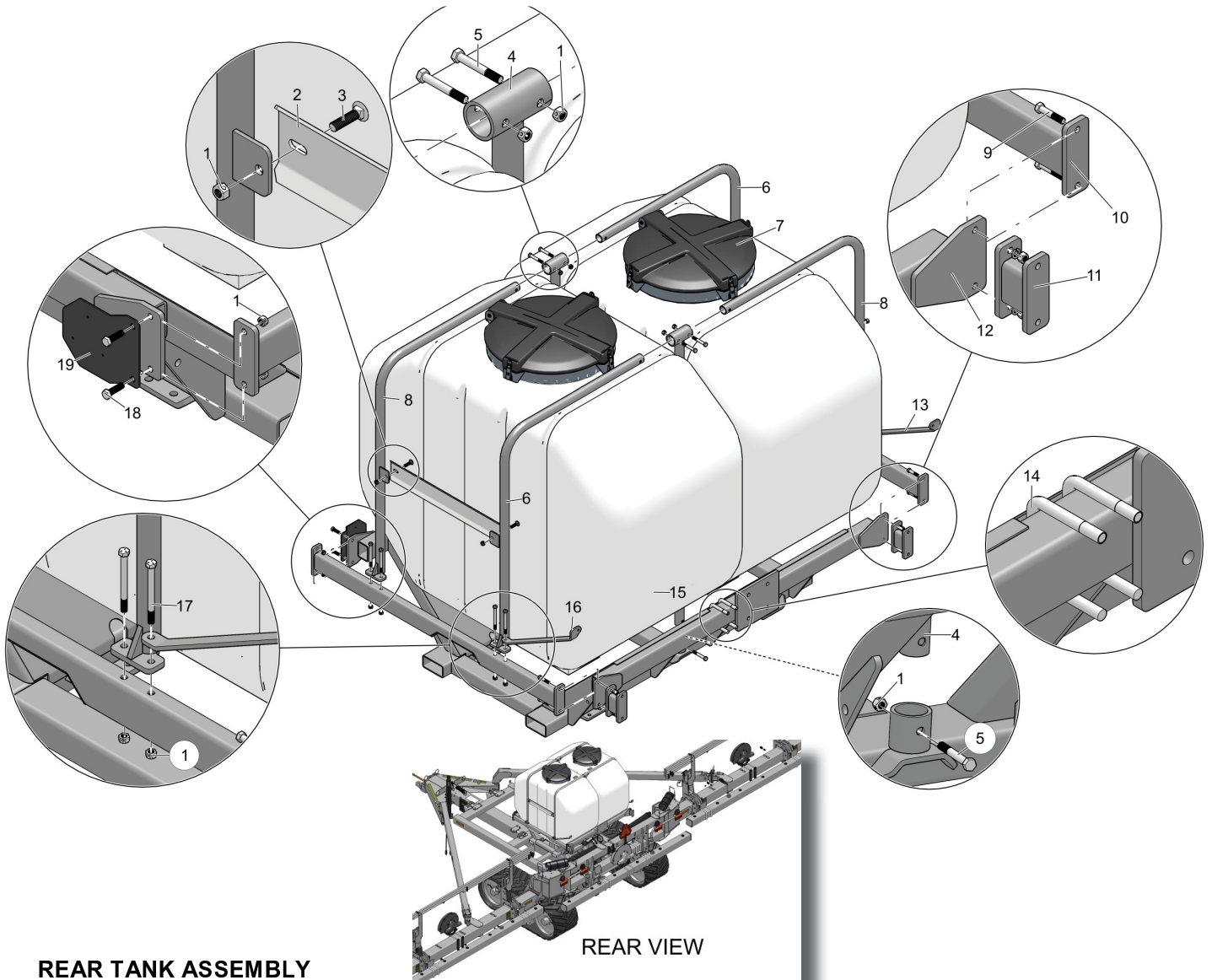
FRONT TANK LADDER ASSEMBLY

| ITEM | PART NUMBER | QTY | DESCRIPTION |
|------|-------------|-----|-------------------------------|
| 1 | P88388 | 2 | BLT-U 5/8-11NC X 4 X 3-1/4 Z |
| 2 | P88369 | 4 | NUT-LOCK: 2 POS 5/8-11NC 5YZP |
| 3 | P350885 | 1 | LADDER |

**REAR TANK COVER ASSEMBLY (2 PLACES)**

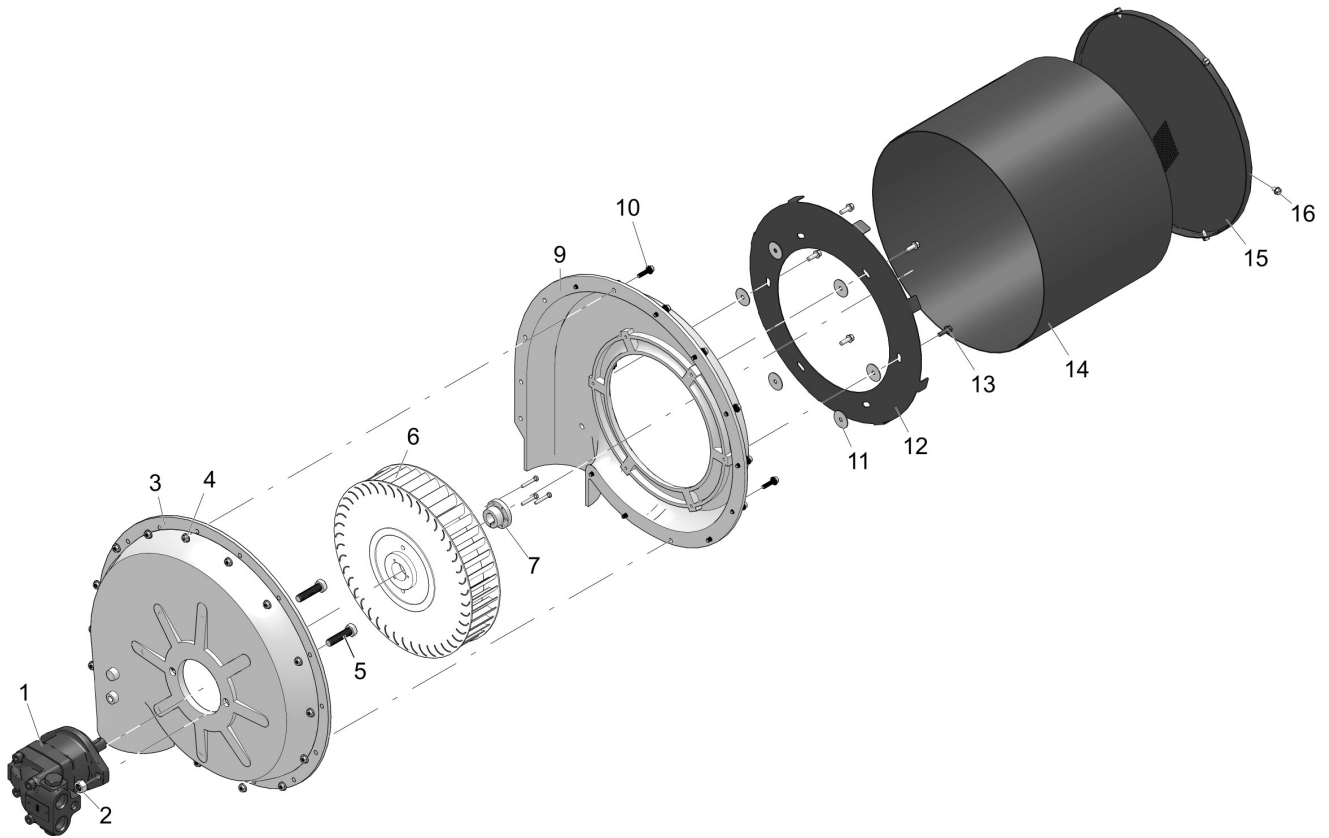
| ITEM | PART NUMBER | QTY | DESCRIPTION |
|------|-------------|-----|---|
| 1 | 359999 | 12 | SCREW-SHEET METAL: 10-12 X 1 PHILIPS DRIVE FLAT HD SS |
| 2 | P353017 | 3 | PLATE-HOOK PLOY COVER |
| 3 | P248102 | 1 | T/L POLY TANK COVER 750 GAL TANK |
| 4 | 89159 | 1 | BOLT-HEX: 1/4-20NC X 5 5ZP |
| 5 | P248098 | 1 | RING WELD-TANK COVER BASE |
| 6 | P248097 | 3 | DRAW LATCH |
| 7 | P89483 | 6 | 3/16DIA .376-.500 GRIP RANGE AB68A |
| 8 | P360525 | 1 | KENT SEAL N2 BUTYL SEALANT 1-1/4 X |
| 9 | 360398 | 1 | RUBBER GASKET-TOP COVER SEED TANK |
| 10 | P248090 | 2 | PLATE-HALF RING |
| 11 | P89484 | 8 | 3/8 X 2 1/2 FULL THREAD TAP BOLT |
| 12 | P88997 | 8 | BOLT-HEX: 1/4-20NC X 1-3/4 5Z |
| 13 | 233300 | 8 | NUT-WELD: 3/8-16 NC NP |
| 14 | 248091 | 8 | FORMED CHANNEL-TANK COVER (FORM) |
| 15 | P59883 | 8 | 3/4OD X 1.06 SPACER BUSHING |
| 16 | P88237 | 9 | NUT-LOCK: 2 POS 1/4-20NC 5YZ |
| 17 | P88261 | 1 | WASHER-FLAT: 1/4 (5/16 X 3/4 ACT) 2ZP |
| 18 | P248099 | 1 | TUBE-SLEEVE TANK COVER |





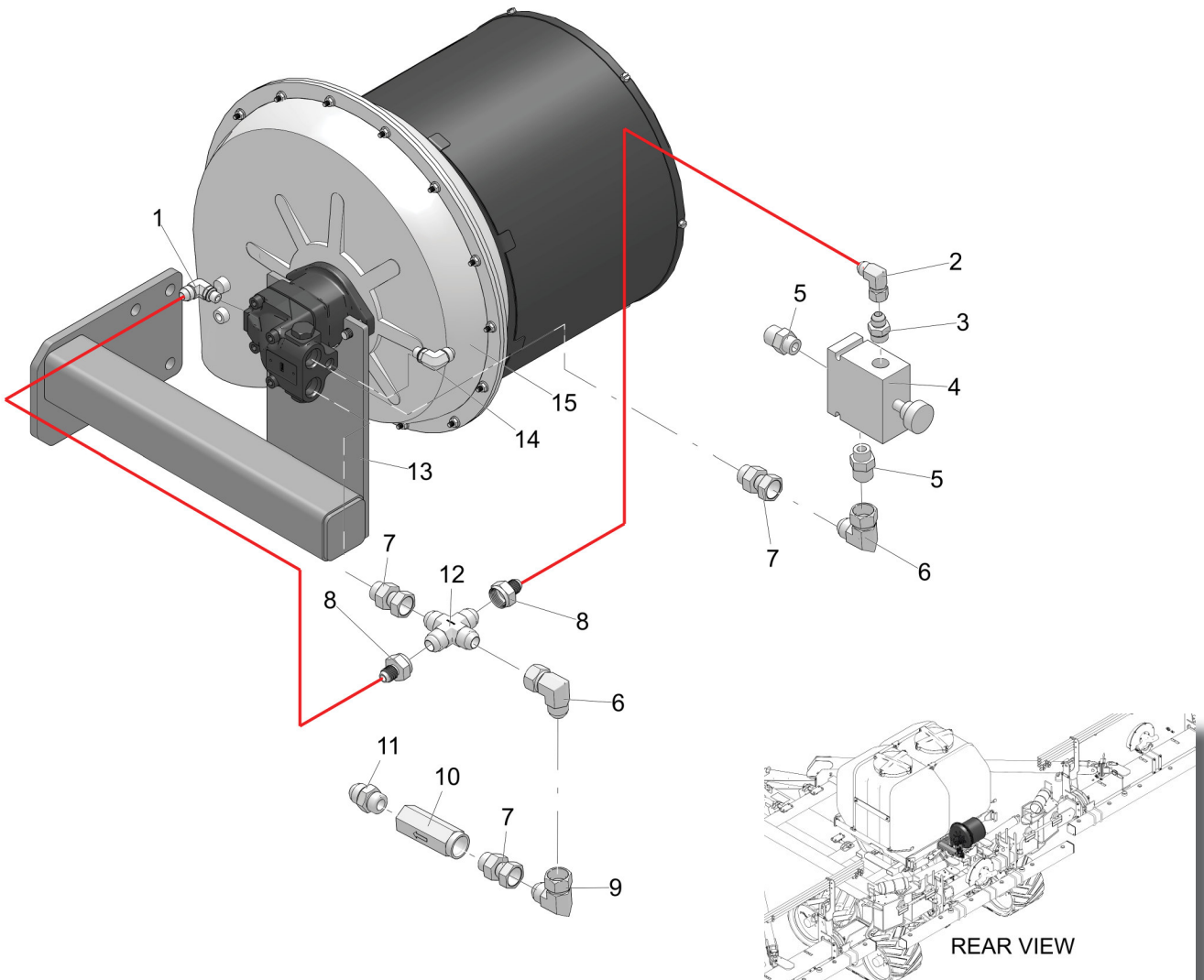
REAR TANK ASSEMBLY

| ITEM | PART NUMBER | QTY | DESCRIPTION |
|------|-------------|-----|--|
| 1 | P88363 | 18 | NUT-LOCK: 2POS 1/2-13NC 2ZP |
| 2 | P243889 | 2 | FORMED CHANNEL-SLIDE TANK SUPPORT |
| 3 | P88714 | 4 | BLT CRG 1/2-13NC X 2 5Z |
| 4 | P243191 | 2 | CENTER TUBE WELD-TANK SUPPORT |
| 5 | P88507 | 6 | BOLT-HEX: 1/2-13NC X 3-1/2 5ZP |
| 6 | P243195 | 2 | OUTER TUBE WELD RH-TANK SUPPORT |
| 7 | P248102 | 2 | T/L POLY TANK COVER 750 GAL TANK |
| 8 | P243886 | 2 | OUTER TUBE WELD-LH TANK SUPPORT |
| 9 | P88410 | 8 | BOLT-HEX: 1/2-13NC X 2-1/2 5ZP |
| 10 | 360366 | 2 | TUBE WELD-SIDE SUPPORT W/CUTOUT CHASSIS GRAY |
| 11 | P246199 | 2 | STUB WELD-PLATFORM MOUNT |
| 12 | P243199 | 1 | CRADLE WELD-750GAL TANK |
| 13 | P355406 | 2 | STRAP RH-PLATFORM SUPPORT |
| 14 | P88453 | 2 | BLT-U 5/8-11NC X 4 X 4-1/2 Z |
| 15 | P243185 | 2 | 75BU 750GAL POLY TANK |
| 16 | P355405 | 1 | STRAP LH-PLATFORM SUPPORT |
| 17 | P88574 | 8 | BOLT-HEX: 1/2-13NC X 5-1/2 5Z |
| 18 | P88517 | 2 | BOLT-HEX: 1/2-13NC X 1-3/4 5ZP |
| 19 | P244986 | 1 | BRACKET-AIR PRESSURE GAUGE |



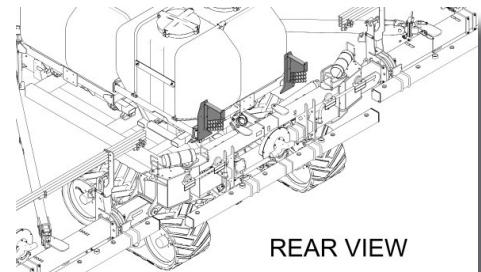
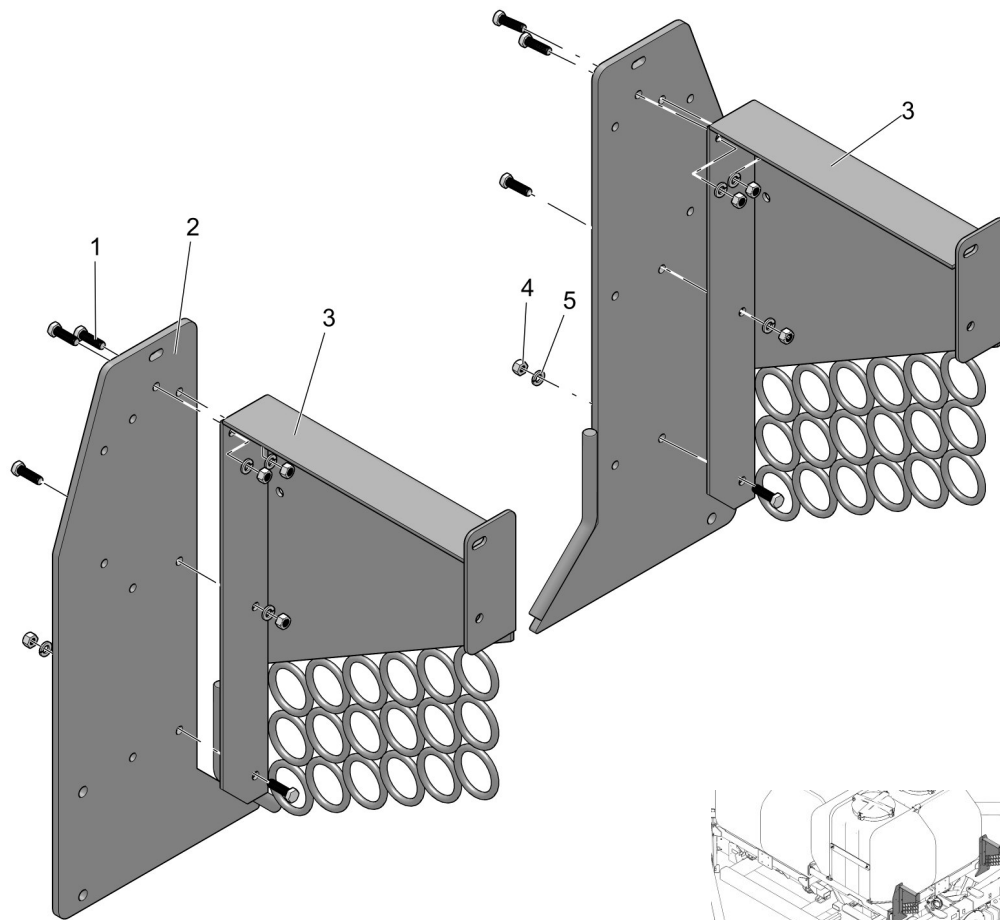
HYDRAULIC CENTER FILL FAN

| ITEM | PART NUMBER | QTY | DESCRIPTION |
|------|-----------------------|-----|---------------------------------|
| 1 | PA66244 | 1 | MOTOR-HYDRAULIC W/CHECK PAINTED |
| 2 | P88104 | 2 | NUT-HEX: 1/2-13NC 5ZP |
| 3 | P89548 | 15 | NUT-FLANGE: .25 NC GR5 ZP |
| 4 | PA33512 | 1 | HOUSING-DRIVE SIDE CRARY #20161 |
| 5 | P88679 | 2 | BOLT-HEX: 1/2-13NC X 2 5Z |
| 6 | PA33497 | 1 | ROTOR-CRARY #17089 |
| 7 | P248016 | 1 | BUSHING JAX 20MM 20160 |
| 8 | 0_10_X_1IN_HEX_BOLT.P | 3 | ... |
| 9 | PA33521 | 1 | HOUSING-INLET SIDE CRARY #22615 |
| 10 | P89551 | 15 | BOLT-FLG: .25 X 1.00 NC GR5 ZP |
| 11 | 15039 | 6 | AXLE SLEEVE TUBING |
| 12 | 20400 | 1 | ... |
| 13 | 15079-00_31.PRT | 6 | ... |
| 14 | 7024_8.PRT | 1 | ... |
| 15 | 7025_9.PRT | 1 | ... |
| 16 | 15095_32.PRT | 6 | ... |



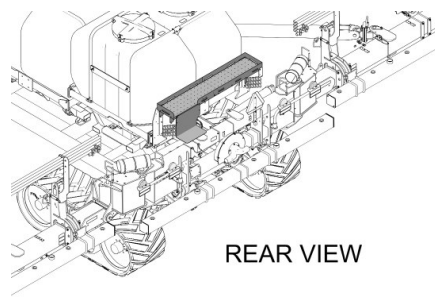
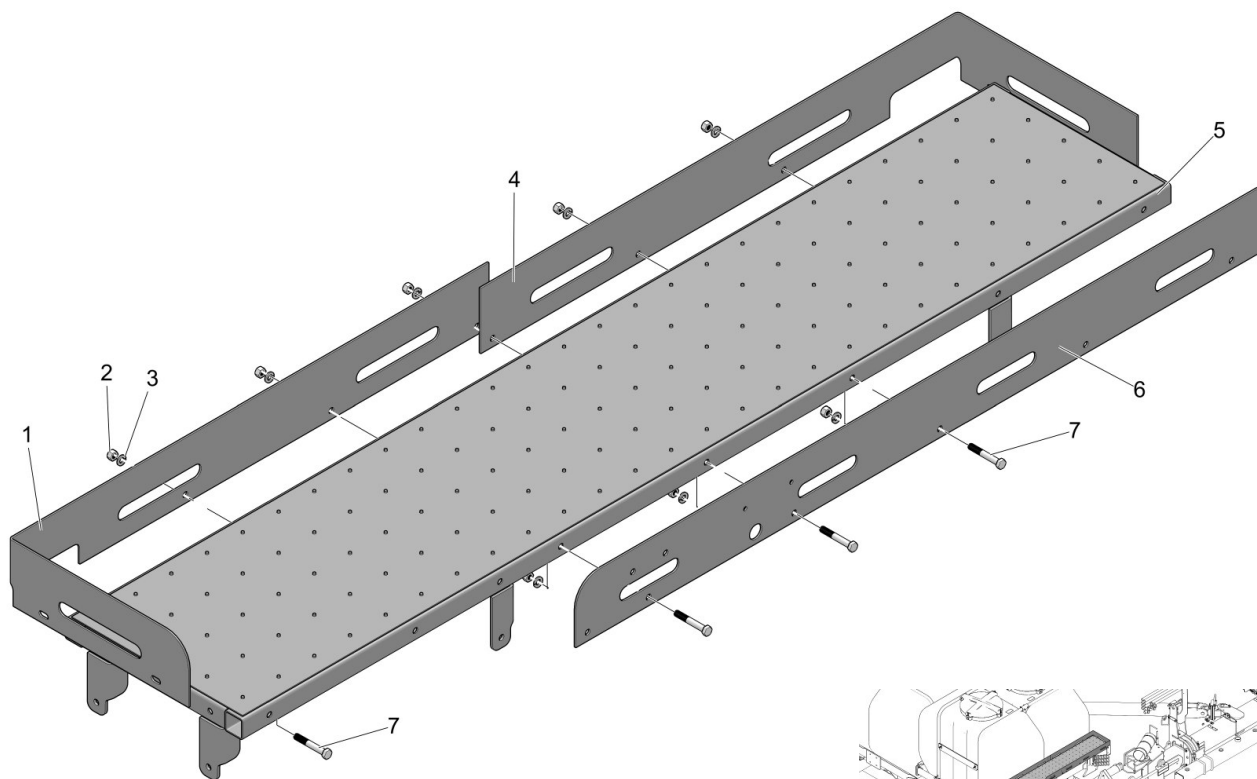
HYDRAULICS-CENTERAL FILL FAN

| ITEM | PART NUMBER | QTY | DESCRIPTION |
|------|-------------|-----|-----------------------------------|
| 1 | P244990 | 1 | ELB 6MORB X 8MJ W/.032 ORFICE |
| 2 | P25591 | 1 | ELB 8MJ X 8FJX |
| 3 | P240367 | 1 | ADP 8MJ X 10MORB |
| 4 | P350435 | 1 | FLOW CONTROL VALVE FR12-33E-10T-N |
| 5 | P351329 | 2 | ADP 12MJ X 10MORB |
| 6 | P240284 | 2 | ELB 12MJ X 12FJX |
| 7 | P244988 | 3 | ADP 12MORB X 12FJX |
| 8 | P351706 | 1 | ADP 12FJ X MJ |
| 9 | P240284 | 1 | ELB 12MJ X 12FJX |
| 10 | P244975 | 1 | CHECK VALVE IN-LINE |
| 11 | P237160 | 1 | ADP 12MORB X 12MJ |
| 12 | P351703 | 1 | CROSS 12MJ X 12MJ X 12MJ X 12MJ |
| 13 | P245274 | 1 | FAN MOUNT WELD-CENTRAL FILL |
| 14 | P62437 | 1 | ELB 8MJ X 6MORB |
| 15 | P359956 | 1 | 6IN FAN & MOTOR ASSEMBLY |



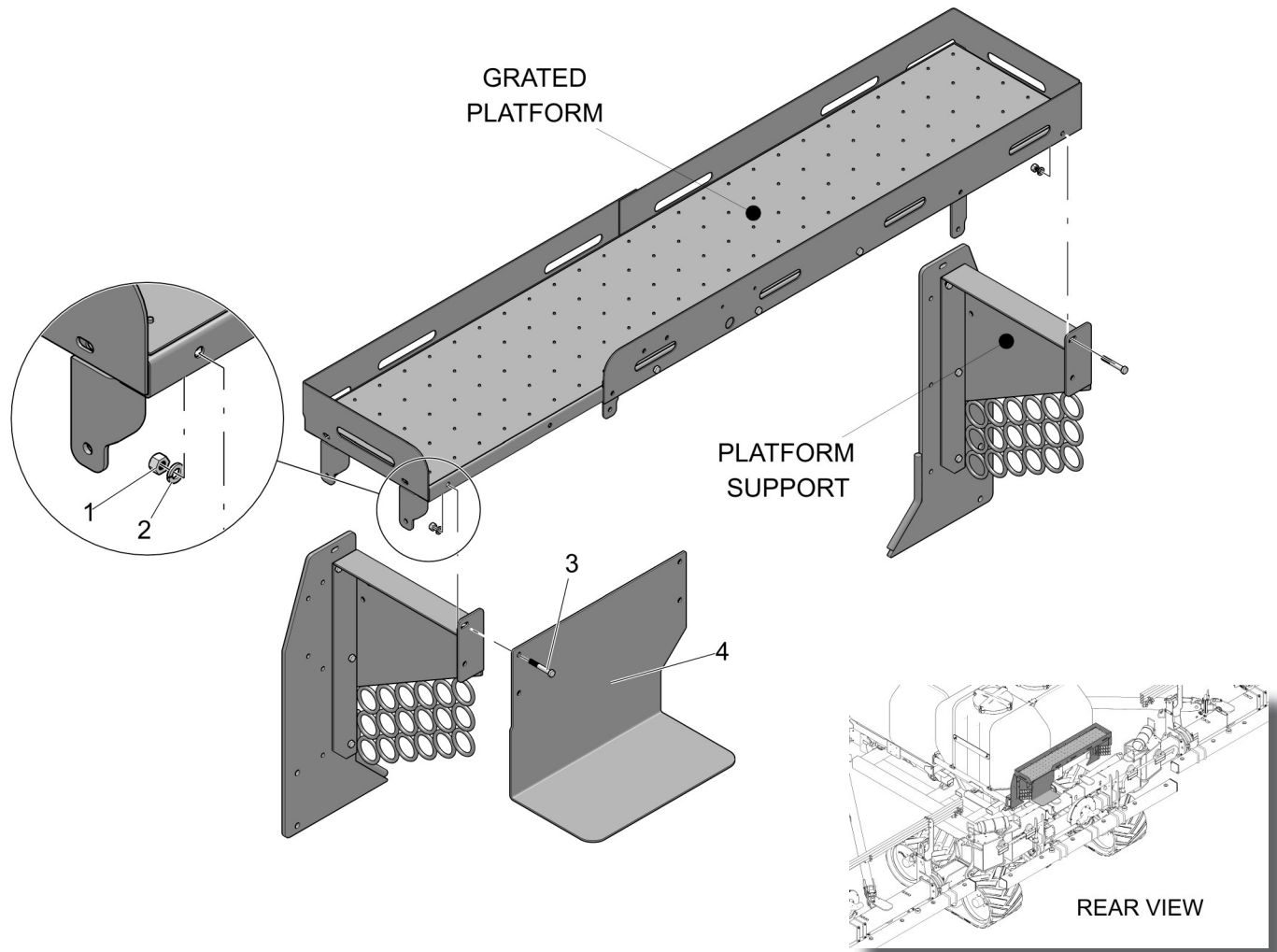
PLATFORM SUPPORT CATWALK

| ITEM | PART NUMBER | QTY | DESCRIPTION |
|------|-------------|-----|-------------------------------------|
| 1 | P88555 | 8 | BOLT-HEX: 3/8-16NC X 1-1/4 5ZP |
| 2 | P353248 | 2 | PLATE WELD-PLATFORM SUPPORT HOSE GU |
| 3 | P246201 | 2 | FORMED ANGLE WELD |
| 4 | P88103 | 8 | NUT-HEX: 3/8-16NC 5ZP |
| 5 | P88362 | 8 | WASHER-HELICAL: 3/8ID ZP |



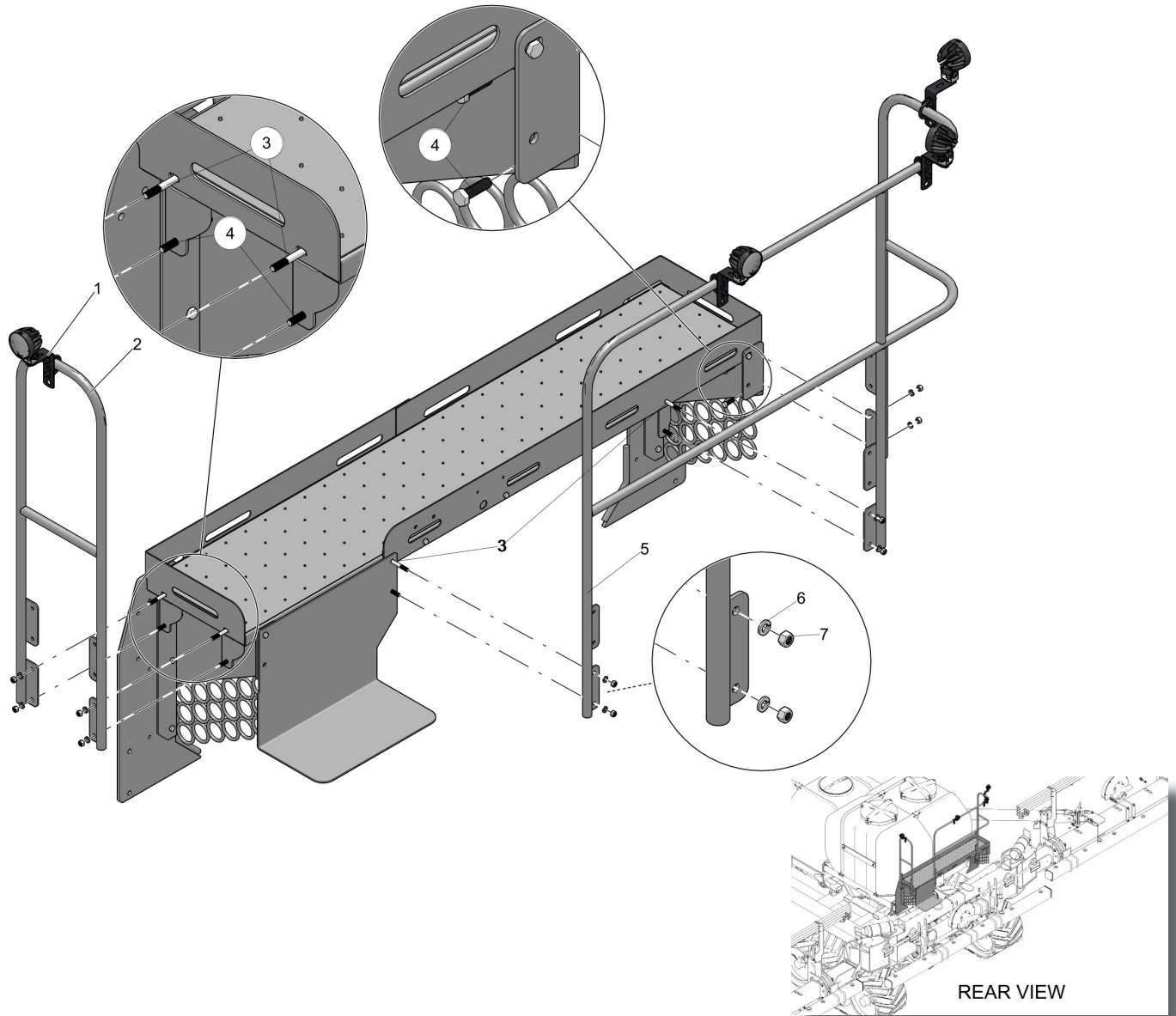
GRATED PLATFORM CATWALK

| ITEM | PART NUMBER | QTY | DESCRIPTION |
|------|-------------|-----|-------------------------------|
| 1 | P248064 | 1 | PLATE-FOOT GUARD FRONT LH |
| 2 | P88103 | 8 | NUT-HEX: 3/8-16NC 5ZP |
| 3 | P88362 | 8 | WASHER-HELICAL: 3/8ID ZP |
| 4 | P248063 | 1 | PLATE FOOT GUARD FRONT RH |
| 5 | P248058 | 1 | PLATFORM WELD |
| 6 | P248062 | 1 | PLATE-FOOT GUARD REAR |
| 7 | P89012 | 8 | BOLT-HEX: 3/8-16NC X 2-1/2 5Z |



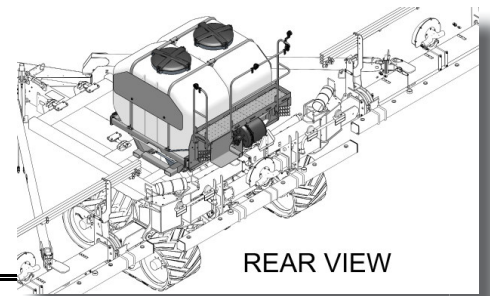
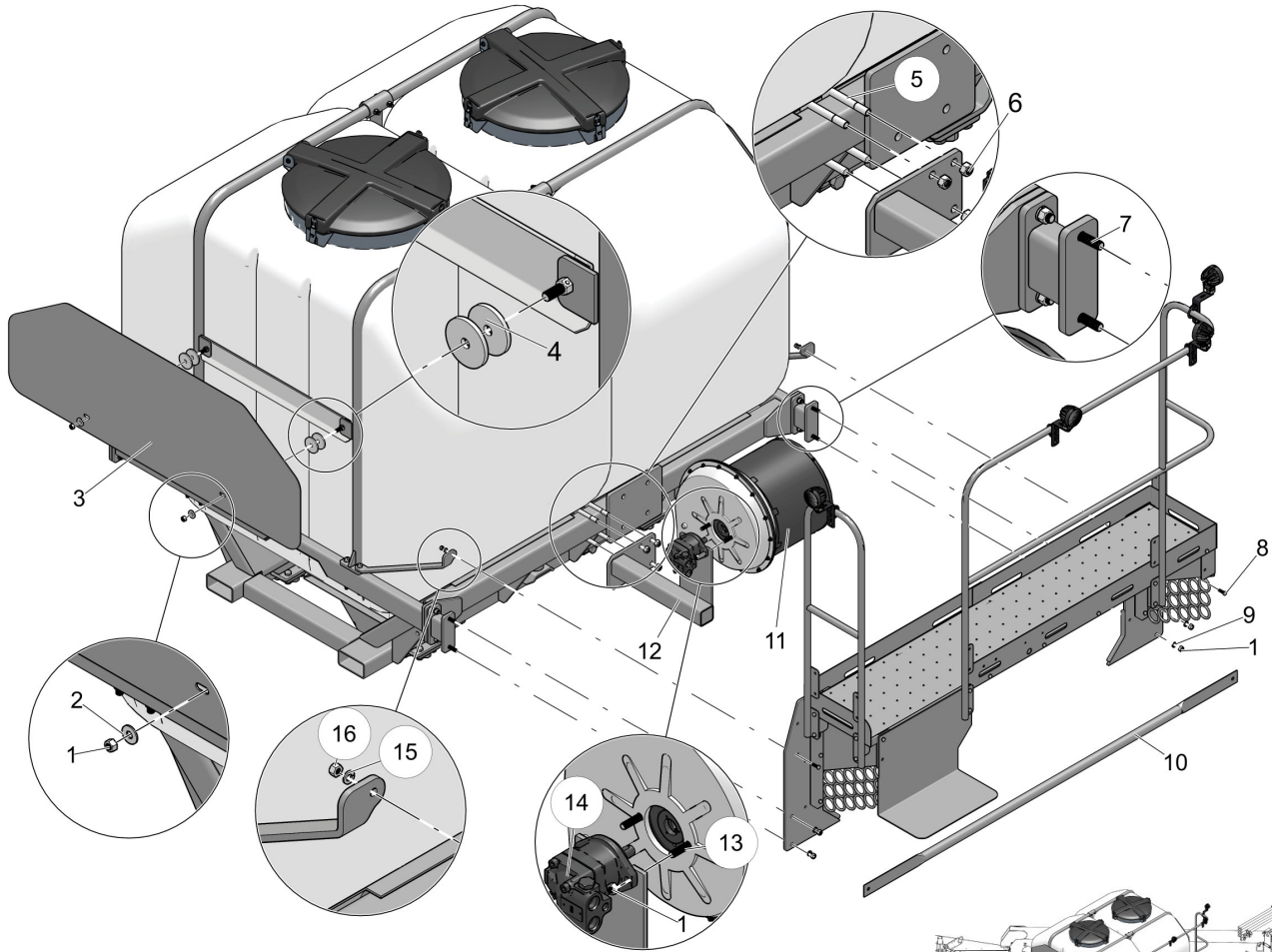
PLATFORM SUPPORT & GRATED PLATFORM

| ITEM | PART NUMBER | QTY | DESCRIPTION |
|------|-------------|-----|-------------------------------|
| 1 | P88103 | 2 | NUT-HEX: 3/8-16NC 5ZP |
| 2 | P88362 | 2 | WASHER-HELICAL: 3/8ID ZP |
| 3 | P89012 | 2 | BOLT-HEX: 3/8-16NC X 2-1/2 5Z |
| 4 | P351349 | 1 | FORMED PLATE SAFETY STEP |



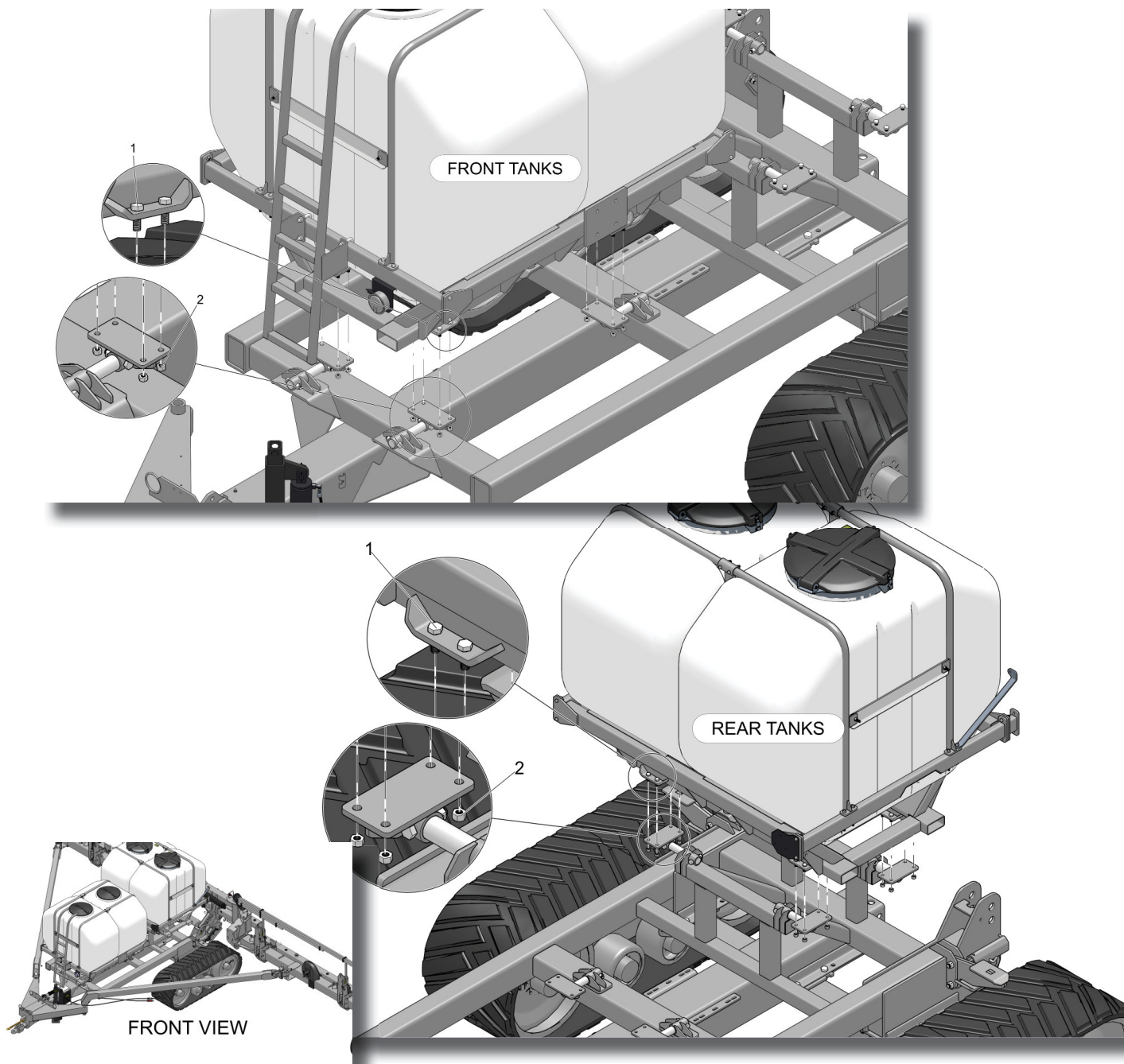
CATWALK RAILING ASSEMBLY

| ITEM | PART NUMBER | QTY | DESCRIPTION |
|------|-------------|-----|----------------------------------|
| 1 | 360486 | 1 | WORKING LIGHT KT-FOLDING TOOLBAR |
| 2 | P248068 | 1 | HAND RAIL WELD-END |
| 3 | P89012 | 4 | BOLT-HEX: 3/8-16NC X 2-1/2 5Z |
| 4 | P88555 | 6 | BOLT-HEX: 3/8-16NC X 1-1/4 5Z |
| 5 | P248072 | 1 | HAND RAIL WELD-REAR |
| 6 | P88362 | 20 | WASHER-HELICAL: 3/8ID ZP |
| 7 | P88103 | 20 | NUT-HEX: 3/8-16NC 5ZP |



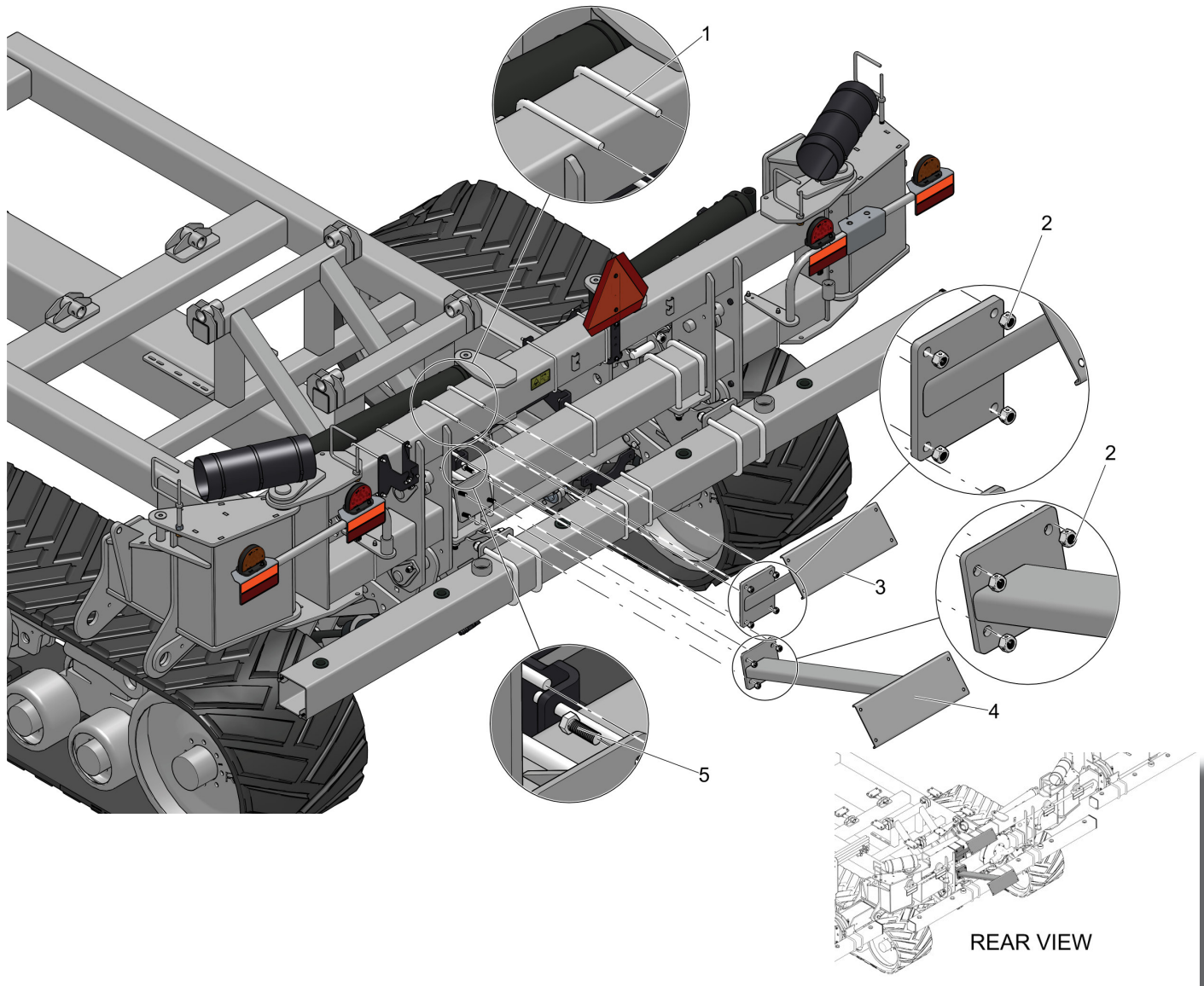
LADDER PLATFORM SUPPORT REAR TANKS

| ITEM | PART NUMBER | QTY | DESCRIPTION |
|------|-------------|-----|---|
| 1 | P88104 | 10 | NUT-HEX: 1/2-13NC 5ZP |
| 2 | P88347 | 4 | WASHER-FLAT: 1/2 (9/16 X 1-3/8ACT) 2ZP |
| 3 | P353228 | 2 | PLATE-LARGE 75BU TANK DECAL |
| 4 | P71145 | 8 | 1/4X9/16X2-1/4 FLAT WASHER |
| 5 | P88453 | 2 | BLT-U 5/8-11NC X 4X4-1/25 Z |
| 6 | P88627 | 4 | NUT NLK 5/8-11NC 5Z |
| 7 | P88517 | 4 | BOLT-HEX: 1/25-13NC X 1-3/4 5ZP |
| 8 | P88555 | 2 | BOLT-HEX: 3/8-16NC X 1-1/4 5Z |
| 9 | P88303 | 10 | WASHER-LOCK: HELICAL 1/2ID (9/16ACT) ZP |
| 10 | P351035 | 1 | CROSS TUBE-HOSE SUPPORT |
| 11 | P359956 | 1 | 6IN FAN & MOTOR ASSEMBLY |
| 12 | P245274 | 1 | FAN MOUNT WELD-CENTRAL FILL |
| 13 | P88679 | 2 | BOLT-HEX: 1/2-13NC X 2 5Z |
| 14 | PA66244 | 1 | MOTOR-HYDRAULIC W/CHECK PAINTED |
| 15 | P88362 | 2 | WASHER-HELICAL: 3/8ID ZP |
| 16 | P88103 | 2 | NUT-HEX: 3/8-16NC 5ZP |



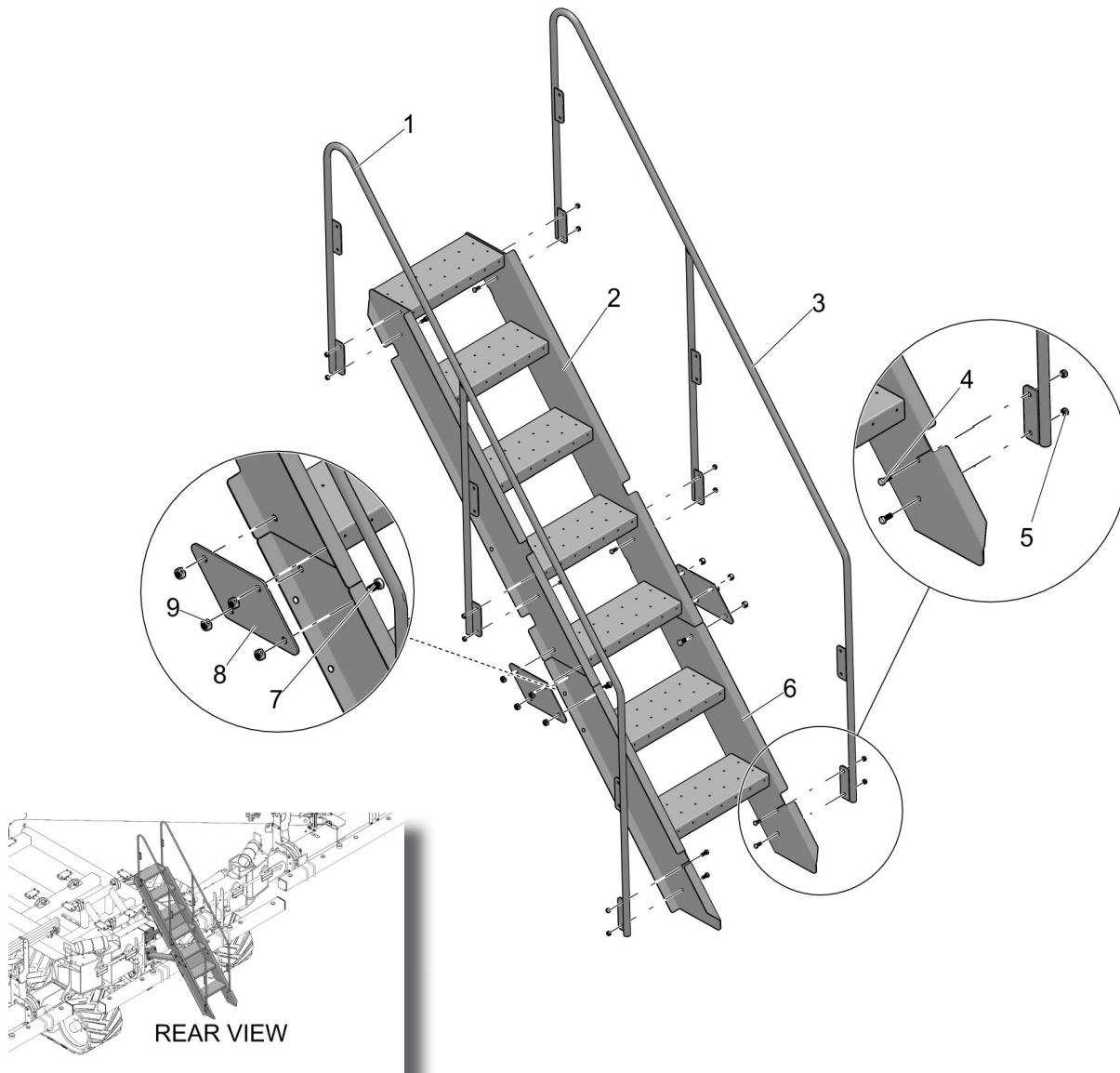
FRONT & REAR CRADLE TANK MOUNTING

| ITEM | PART NUMBER | QTY | DESCRIPTION |
|------|-------------|-----|-------------------------------|
| 1 | P88838 | 16 | BOLT-HEX: 5/8-11NC X 1-3/4 5Z |
| 2 | P88126 | 16 | NUT-HEX: 5/8-11NC 5ZP |

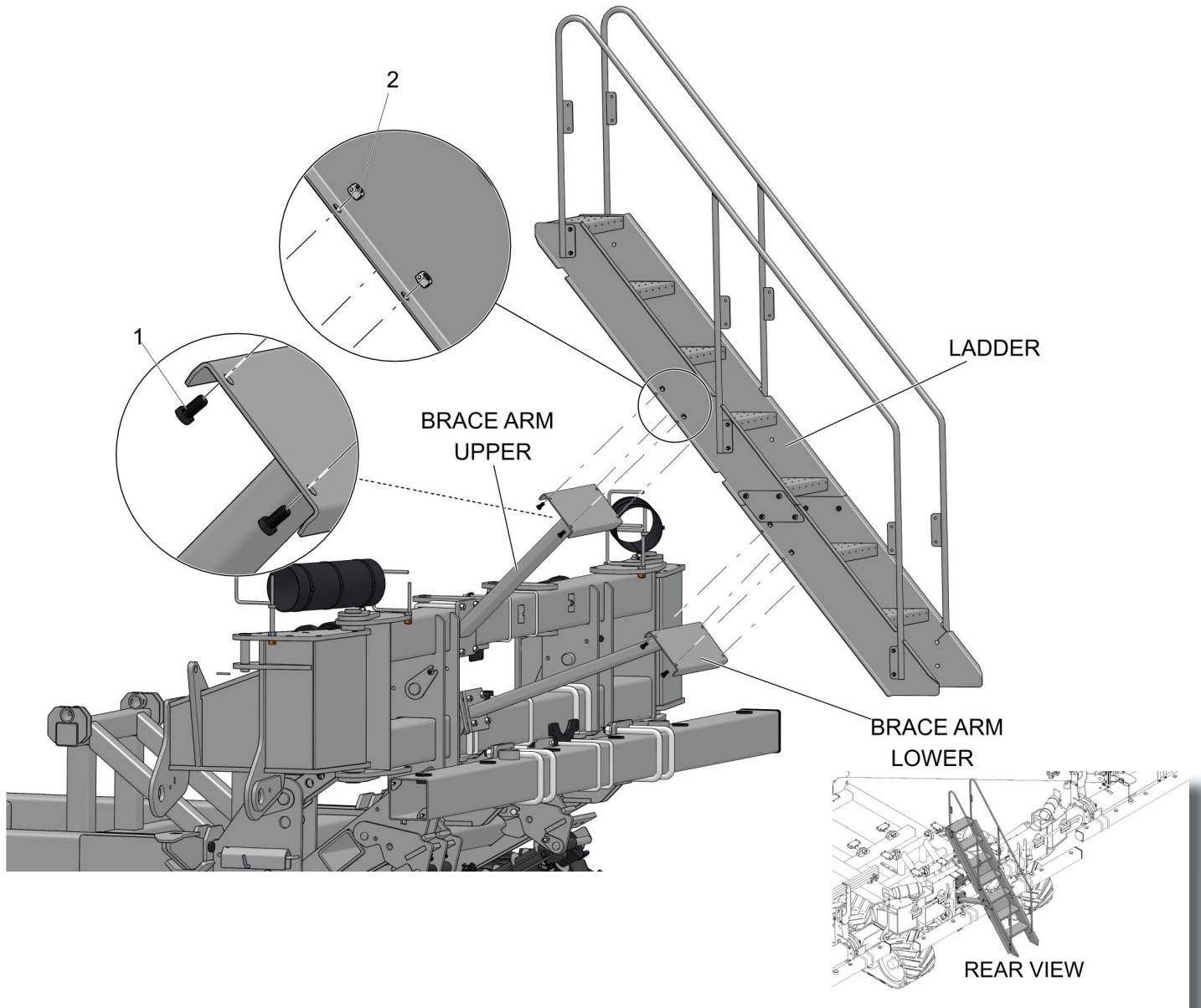


REAR TANK LADDER BRACKET

| ITEM | PART NUMBER | QTY | DESCRIPTION |
|------|-------------|-----|--------------------------------|
| 1 | P89351 | 2 | BLT-U 5/8-11NC X 7 X 8-1/2 Z |
| 2 | P88369 | 8 | NUT-LOCK: 2 POS 5/8-11NC 5YZP |
| 3 | P351277 | 1 | BRACE ARM WELD-UPPER STAIRCASE |
| 4 | P351275 | 1 | BRACE ARM WELD-LOWER STAIRCASE |
| 5 | P88838 | 4 | BOLT-HEX: 5/8-11NC X 1-3/4 5Z |

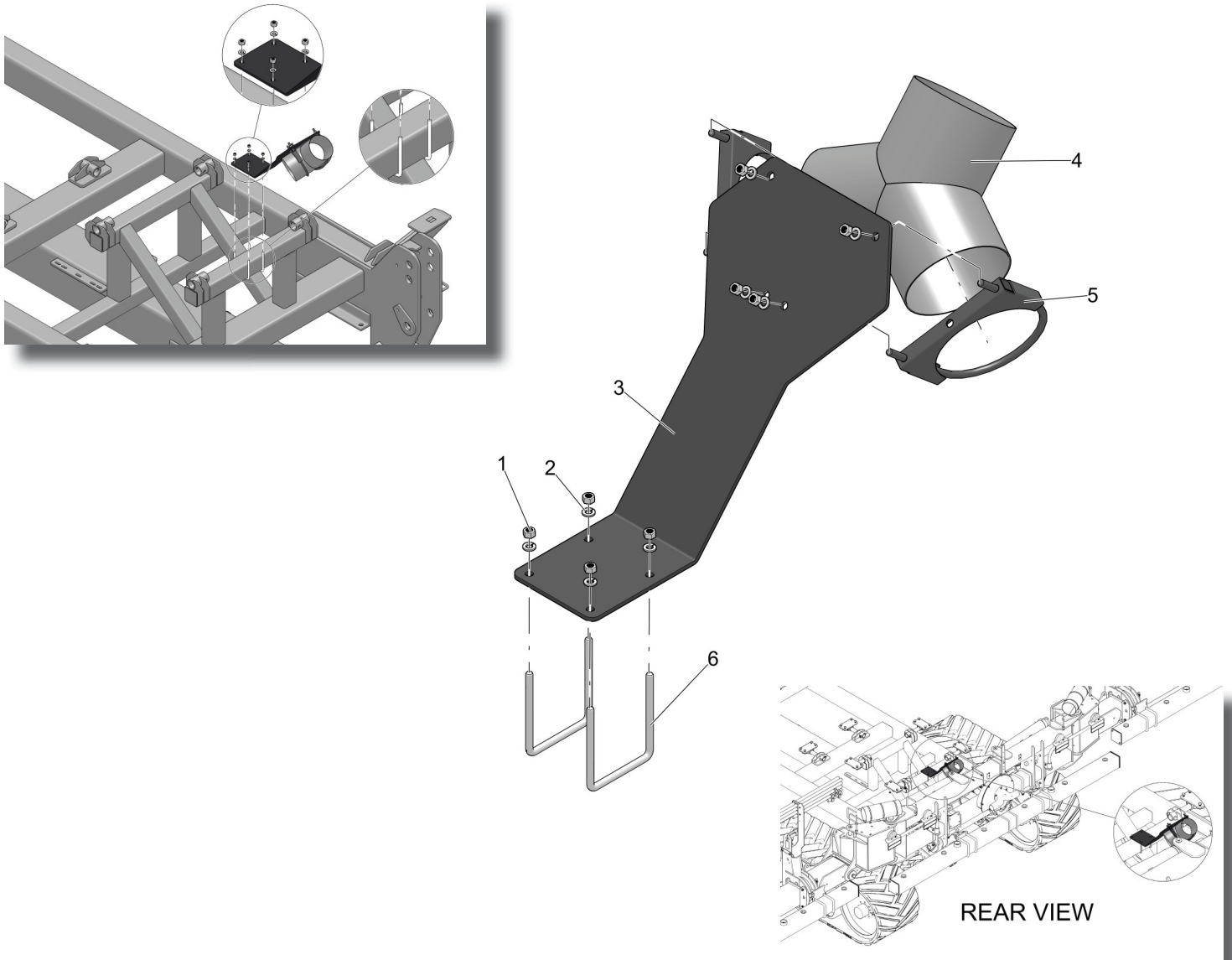
**REAR LADDER ASSEMBLY**

| ITEM | PART NUMBER | QTY | DESCRIPTION |
|------|-------------|-----|-----------------------------|
| 1 | P360523 | 1 | HAND RAIL WELD-LH STAIRCASE |
| 2 | P360516 | 1 | UPPER STAIRCASE WELD |
| 3 | P360524 | 1 | HAND RAIL WELD-RH STAIRCASE |
| 4 | P89034 | 12 | BOLT-HEX: 3/8-16NC X 1 5 ZP |
| 5 | P88162 | 12 | NUT-LOCK: 2POS 3/8/16NC 2ZP |
| 6 | P360517 | 1 | LOWER STAIRCASE WELD |
| 7 | P89015 | 8 | BOLT-HEX: 1/2-13NC X 1 5ZP |
| 8 | P351273 | 2 | PLATE-STAIRCASE CONNECTION |
| 9 | P88363 | 8 | NUT-LOCK: 2POS 1/2-13NC 2ZP |



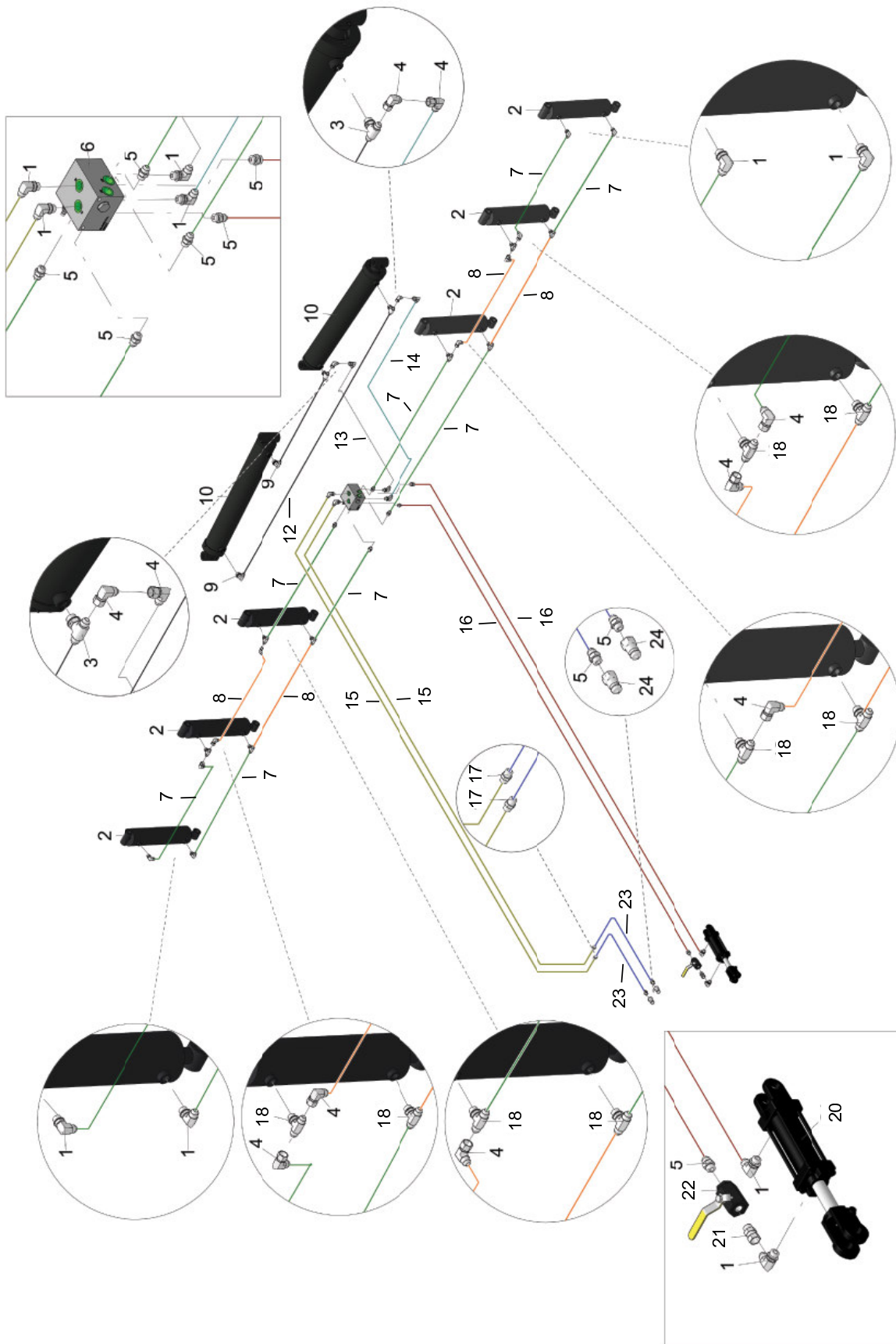
REAR TANK LADDER INSTALLATION

| ITEM | PART NUMBER | QTY | DESCRIPTION |
|------|-------------|-----|------------------------------|
| 1 | P89015 | 8 | BOLT-HEX: 1/2-13NC X 1 5ZP |
| 2 | P88363 | 8 | NUT-LOCK: 2 POS 1/2-13NC 2ZP |



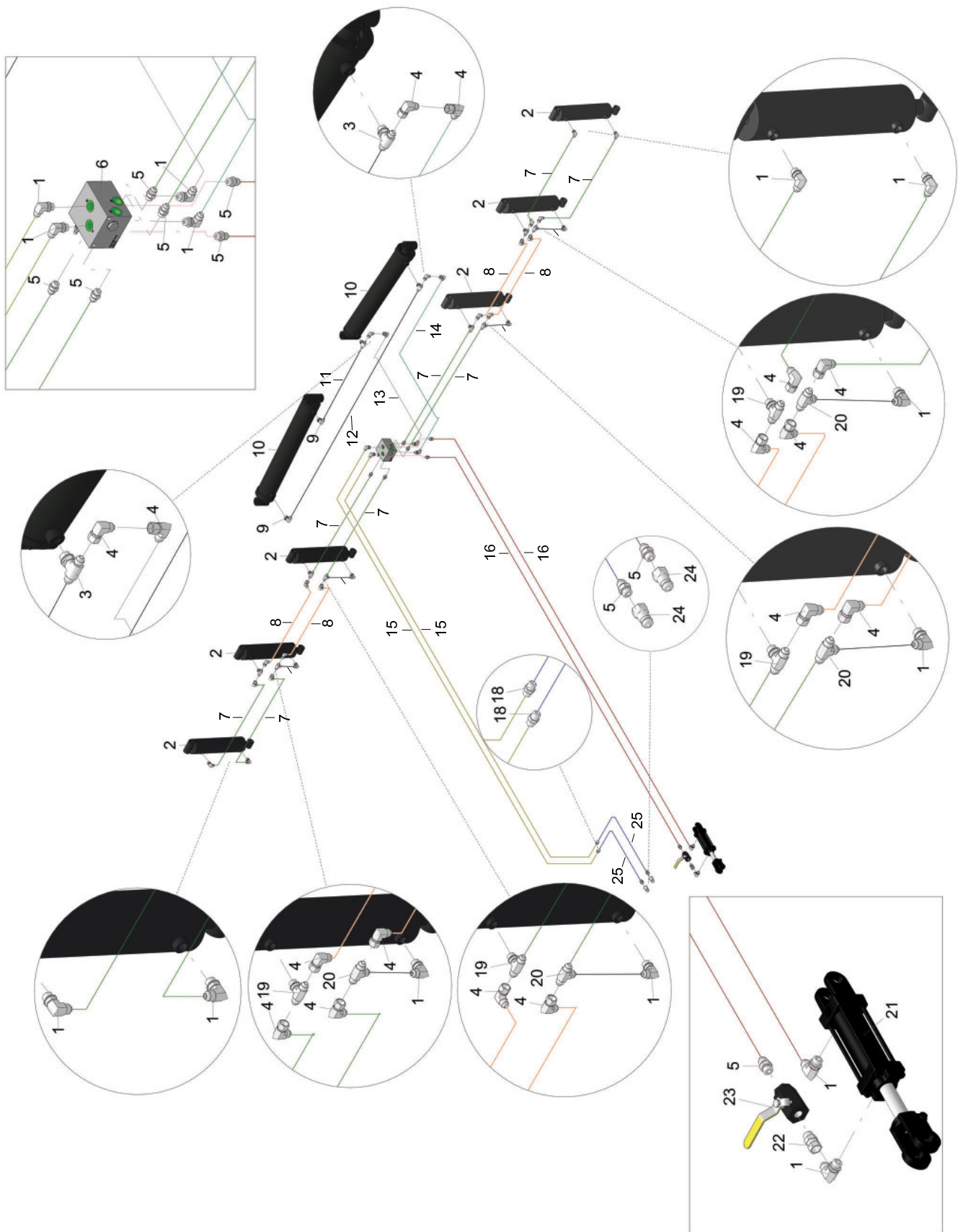
SIX INCH Y MOUNT PLATE ASSEMBLY

| ITEM | PART NUMBER | QTY | DESCRIPTION |
|------|-------------|-----|-----------------------------|
| 1 | P88103 | 8 | NUT-HEX: 3/8-16NC 5ZP |
| 2 | P88362 | 8 | WASHER-HELICAL: 3/8ID ZP |
| 3 | P354769 | 1 | PLATE-6IN Y MOUNT |
| 4 | P354767 | 1 | 6IN Y INLET WELD |
| 5 | PA66964 | 2 | CLAMP-MUFFLER W/SADDLE 6 ZP |
| 6 | P88385 | 2 | BLT-U 3/8-16NC X 4 X 5 Z |



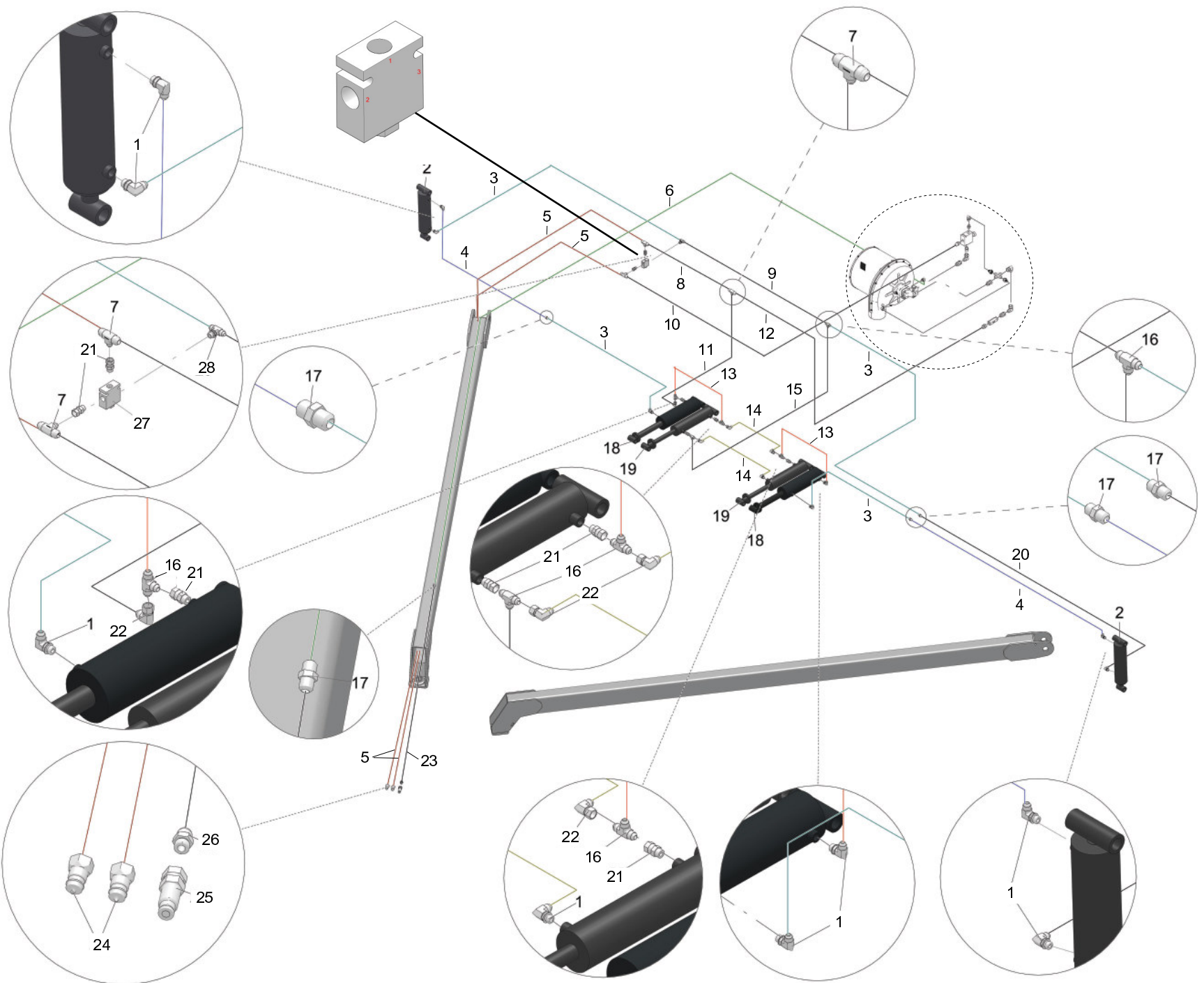
TILT AND FOLD HYDRAULICS (CURRENT)

| ITEM | PART NUMBER | QTY | DESCRIPTION |
|------|-------------|-----|--------------------------------------|
| 1 | P25580 | 10 | ELB 8MORB X 8MJ |
| 2 | P247349 | 6 | 4X14 WELDED HYDRAULIC CYL C40-264A |
| 3 | P355420 | 2 | TEE 8MJ X 8MJ X 12MORB |
| 4 | P25591 | 10 | ELB 8MJ X 8FJX |
| 5 | P24024 | 9 | ADP 8MORB X 8MJ |
| 6 | P360360 | 1 | TILT & FOLD SEQUENCE VALVE BLOCK |
| 7 | P235386 | 8 | HSE 3KPSI 3/8X137 8FJX-8FJX |
| 8 | P13484 | 4 | HOSE-HYD: 0.38 X 156 8FJX-8FJX 3KPSI |
| 9 | P355419 | 2 | ELB 8MJ X 12MORB |
| 10 | P353240 | 2 | 5X30 HYDRAULIC CYLINDER - SAE |
| 11 | P14851 | 1 | HOSE-HYD: 0.38 X 042 8FJX-8FJX 3KPSI |
| 12 | P13483 | 1 | HOSE-HYD: 0.38 X 120 8FJX-8FJX 3KPSI |
| 13 | P13261 | 1 | HSE 3KPSI 3/8X30 8FJX-8FJX |
| 14 | P13265 | 1 | HSE 3KPSI 3/8X56 8FJX-8FJX |
| 15 | P237913 | 2 | HSE 3KPSI 3/8X460 8FJX-8FJX |
| 16 | P233688 | 2 | HSE 3KPSI 3/8 X 252 8FJX-8FJX |
| 17 | P13239 | 2 | UNION 8MJ X 8MJ |
| 18 | P56534 | 8 | TEE 8MJ X 8MJ X 8MORB |
| 19 | PB112426 | 1 | CYLINDER 2-1/2 X 4 TIE ROD |
| 20 | P24004 | 1 | ADP 8MORB X 8FJX |
| 21 | A35504 | 1 | TUBE-CMF WING HING PIVOT |
| 22 | PA36290 | 2 | PIONEER TIP 8010-15P (#8 ORB) |
| 23 | P56540 | 2 | HSE 3KPSI 3/8 X 89 8FJX - 8FJX |



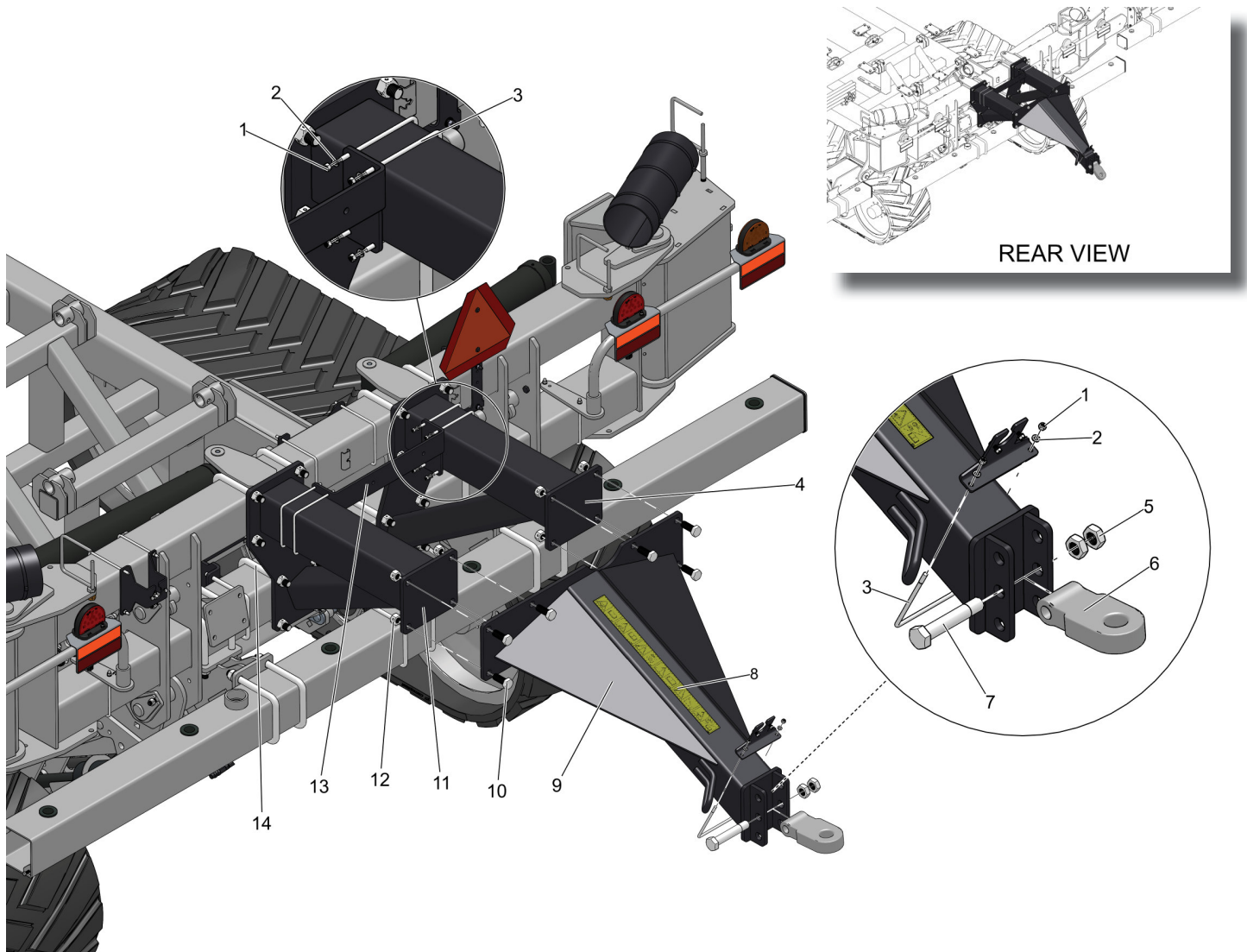
TILT AND FOLD HYDRAULICS

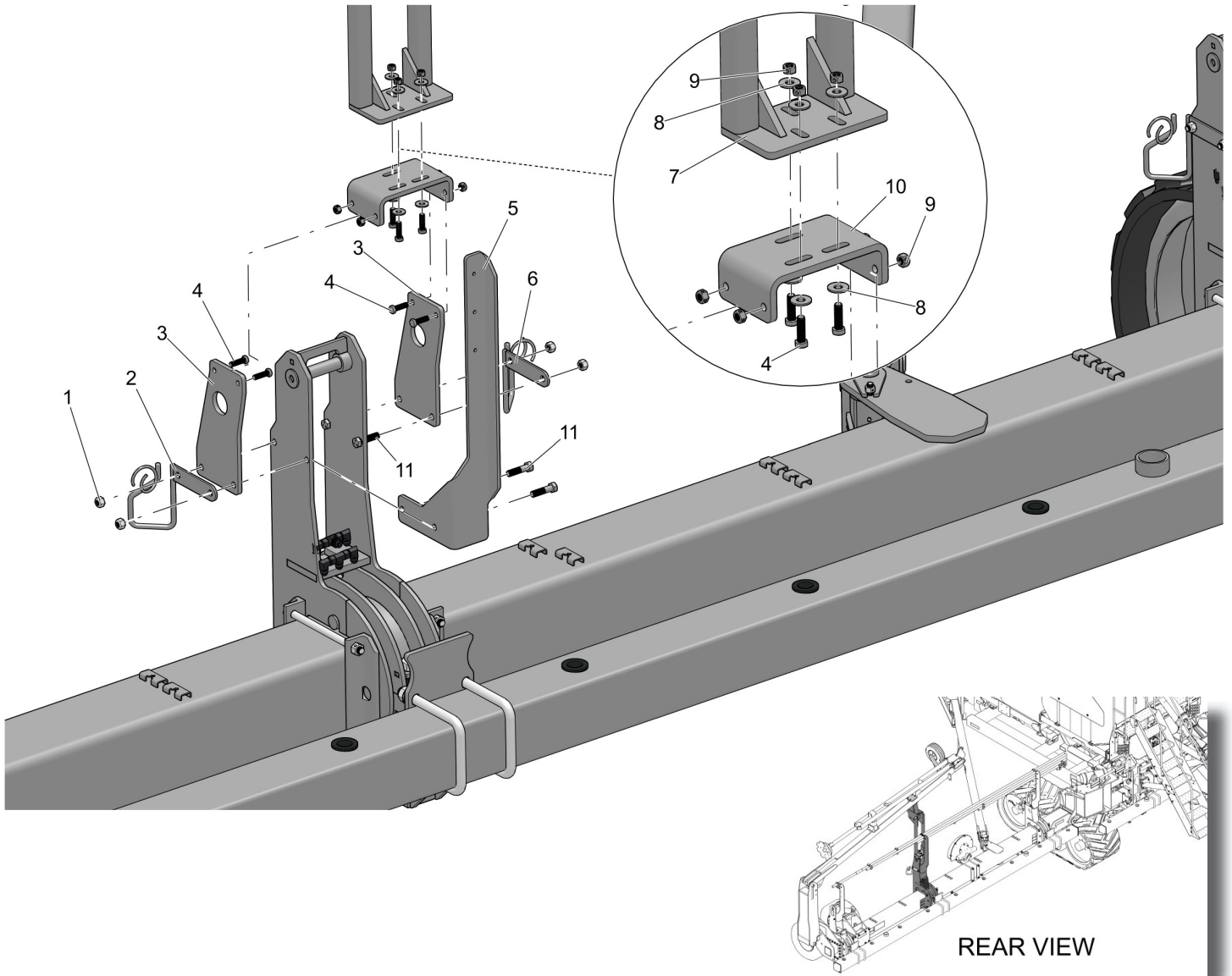
| ITEM | PART NUMBER | QTY | DESCRIPTION |
|------|-------------|-----|--------------------------------------|
| 1 | P25580 | 14 | ELB 8MORB X 8MJ |
| 2 | P247349 | 6 | 4X14 WELDED HYDRAULIC CYL C40-264A |
| 3 | P355420 | 2 | TEE 8MJ X 8MJ X 12MORB |
| 4 | P25591 | 16 | ELB 8MJ X 8FJX |
| 5 | P24024 | 9 | ADP 8MORB X 8MJ |
| 6 | P360360 | 1 | TILT & FOLD SEQUENCE VALVE BLOCK |
| 7 | P235386 | 8 | HSE 3KPSI 3/8X137 8FJX-8FJX |
| 8 | P13484 | 4 | HOSE-HYD: 0.38 X 156 8FJX-8FJX 3KPSI |
| 9 | P355419 | 2 | ELB 8MJ X 12MORB |
| 10 | P353240 | 2 | 5X30 HYDRAULIC CYLINDER - SAE |
| 11 | P14851 | 1 | HOSE-HYD: 0.38 X 042 8FJX-8FJX 3KPSI |
| 12 | P13483 | 1 | HOSE-HYD: 0.38 X 120 8FJX-8FJX 3KPSI |
| 13 | P13261 | 1 | HSE 3KPSI 3/8X30 8FJX-8FJX |
| 14 | P13265 | 1 | HSE 3KPSI 3/8X56 8FJX-8FJX |
| 15 | P237913 | 2 | HSE 3KPSI 3/8X460 8FJX-8FJX |
| 16 | P233688 | 2 | HSE 3KPSI 3/8 X 252 8FJX-8FJX |
| 17 | P321828 | 4 | HSE 3KPSI 3/8X12 8FJX-8FJX |
| 18 | P13239 | 2 | UNION 8MJ X 8MJ |
| 19 | P56534 | 4 | TEE 8MJ X 8MJ X 8MORB |
| 20 | P13238 | 4 | TEE 8MJ X 8MJ X 8MJ |
| 21 | PB112426 | 1 | CYLINDER 2-1/2 X 4 TIE ROD |
| 22 | P24004 | 1 | ADP 8MORB X 8FJX |
| 23 | A35504 | 1 | TUBE-CMF WING HING PIVOT |
| 24 | PA36290 | 2 | PIONEER TIP 8010-15P (#8 ORB) |
| 25 | P56540 | 2 | HSE 3KPSI 3/8 X 89 8FJX - 8FJX |



MAIN LIFT HYDRAULICS

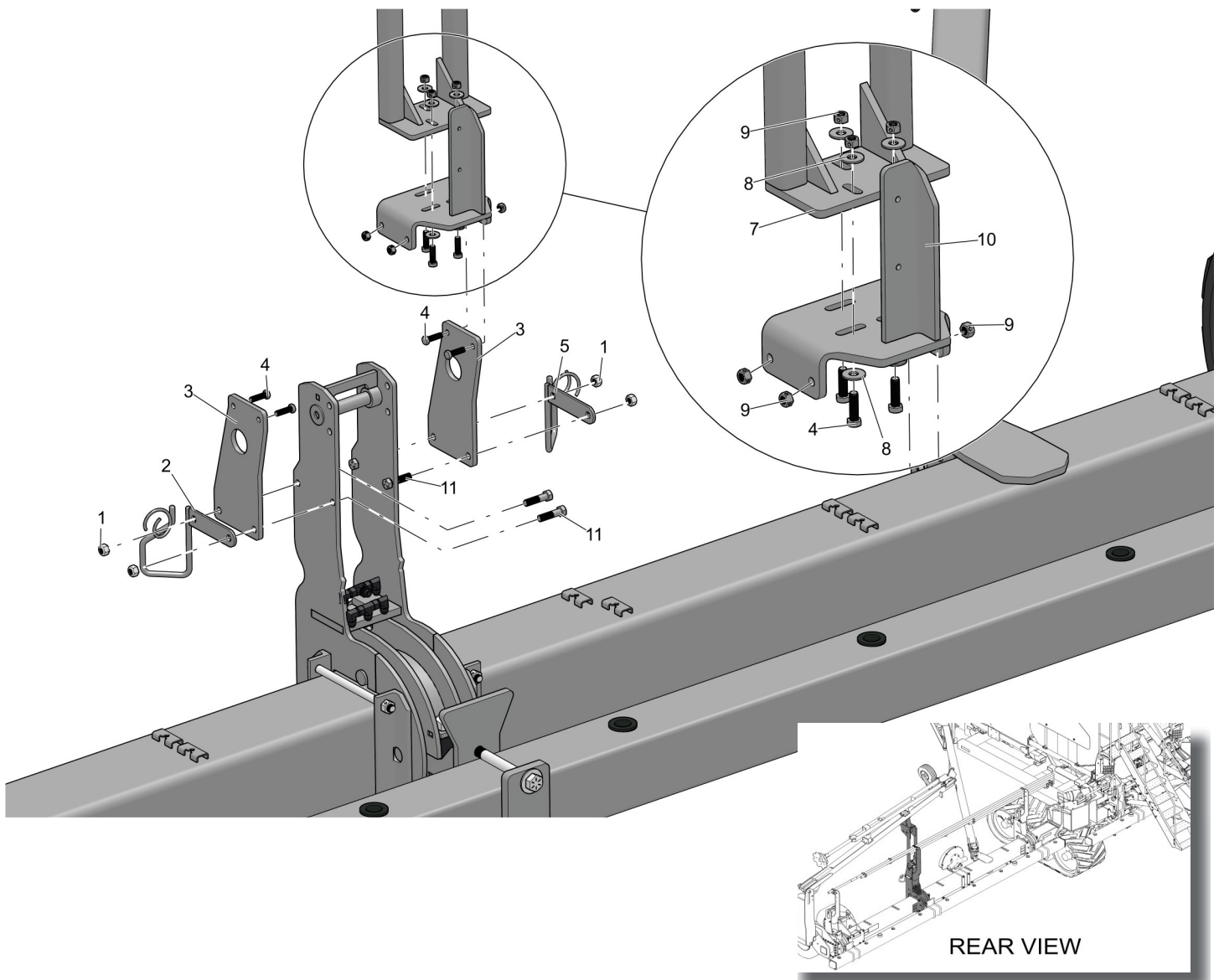
| ITEM | PART NUMBER | QTY | DESCRIPTION |
|------|-------------|-----|--|
| 1 | P25580 | 8 | ELB 8MORB X 8MJ |
| 2 | P241339 | 2 | HYD CYL 4X12 SEQ WELDED |
| 3 | P240605 | 4 | HSE 3KPSI 3/8 X 216 8FJX - 8FJX |
| 4 | P233689 | 2 | HSE 3KPSI 3/8 X 180 8FJX - 8FJX |
| 5 | P350897 | 2 | HSE 3KPSI 3/4 X 372 12FJX - 8MORB |
| 6 | P209032 | 1 | HSE 3PSI 1/2 X 348 8FJX - 8FJX |
| 7 | P244991 | 3 | TEE 12MJ X 12MJ X 8MJ |
| 8 | P350898 | 1 | HSE 3KPSI 3/4 X 150 12FJX - 12FJX |
| 9 | P13484 | 1 | HOSE-HYD: .38 X 156 8FJX - 8FJX 3KPSI |
| 10 | P350899 | 1 | HSE 3KPSI 3/4 X 240 12FJX - 12FJX |
| 11 | P247430 | 1 | HSE 3KPSI 1/2 X 65 8FJX - 8FJX |
| 12 | P351700 | 1 | HSE 3KPSI 3/4 X 84 12FJX - 12FJX |
| 13 | P13261 | 2 | HSE 3KPSI 3/8 X 30 8FJX - 8FJX |
| 14 | P13268 | 2 | HOSE-HYD: .38 X 078 8FJX - 8FJX 3KPSI |
| 15 | P25602 | 1 | HSE 3KPSI 3/8 X 65 8FJX - 8FJX |
| 16 | P13238 | 5 | TEE 8MJ X 8MJ X 8MJ |
| 17 | P13239 | 4 | UNION 8MJ X 8MJ |
| 18 | P241338 | 2 | HYD CYL 4-1/2 X 12 SEQ WELDED |
| 19 | P243810 | 2 | 3-1/2 X 12SEQ HYD WELD CYL PORT ROTAT |
| 20 | P234947 | 1 | HSE 3KPSI 3/8 X 194 8FJX - 8FJX |
| 21 | P24004 | 6 | ADP 8MORB X 8FJX |
| 22 | P25591 | 4 | ELB 8MJ X 8FJX |
| 23 | P237264 | 1 | HSE 3KPSI 1/2 X 234 8FJX - 8FJX |
| 24 | PA36290 | 2 | PIONEER TIP 8010-15P (#8 ORB) |
| 25 | P359433 | 1 | FTG-CASE DRAIN 3/8 FLAT FACE W/AUTO VENT |
| 26 | P24024 | 1 | ADP 8MORB X 8MJ |
| 27 | P241317 | 1 | CHECK VALVE-PILOT OPERATED |
| 28 | P56534 | 1 | TEE 8MJ X 8MJ X 8MORB |





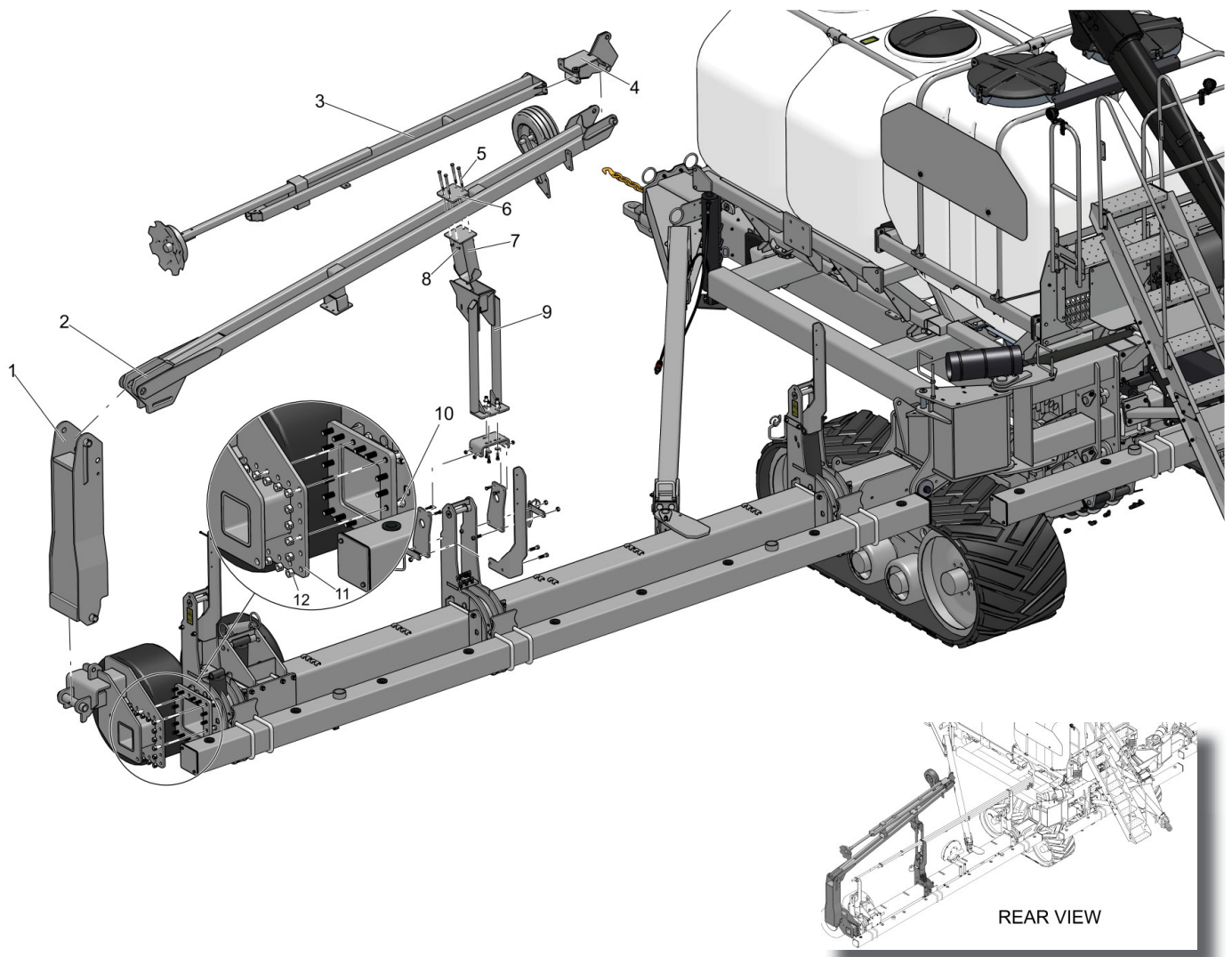
ROW MARKER MOUNT - TOOLBAR BEARING WELD (2 PLACES)

| ITEM | PART NUMBER | QTY | DESCRIPTION |
|------|-------------|-----|--|
| 1 | P88845 | 4 | NUT TOP LK 5/8-11NC 5Z |
| 2 | P360363 | 1 | BRACKET WELD-LH HYD HOSE MOUNT 10 S |
| 3 | P360314 | 2 | SIDE PLATE-BASE MOUNT OFFSET |
| 4 | P88517 | 7 | BOLT-HEX: 1/2-13NC X 1-3/4 5ZP |
| 5 | P359992 | 1 | BRACKET-SEED TUBE MOUNT TOWER 10SQ |
| 6 | P360364 | 1 | BRACKET WELD-RH HYD HOSE MOUNT 10 S |
| 7 | P353222 | 1 | UPPER MARKER REST WELD |
| 8 | P88347 | 6 | WASHER-FLAT: 1/2 (9/169 X 1-3/8 ACT) 2ZP |
| 9 | P88363 | 6 | NUT-LOCK: 2 POS 1/2-13NC 2ZP |
| 10 | P353218 | 1 | PLATE-INTERMEDIATE MOUNT |
| 11 | P88409 | 4 | BOLT-HEX: 5/8-11NC X 2-1/2 5ZP |



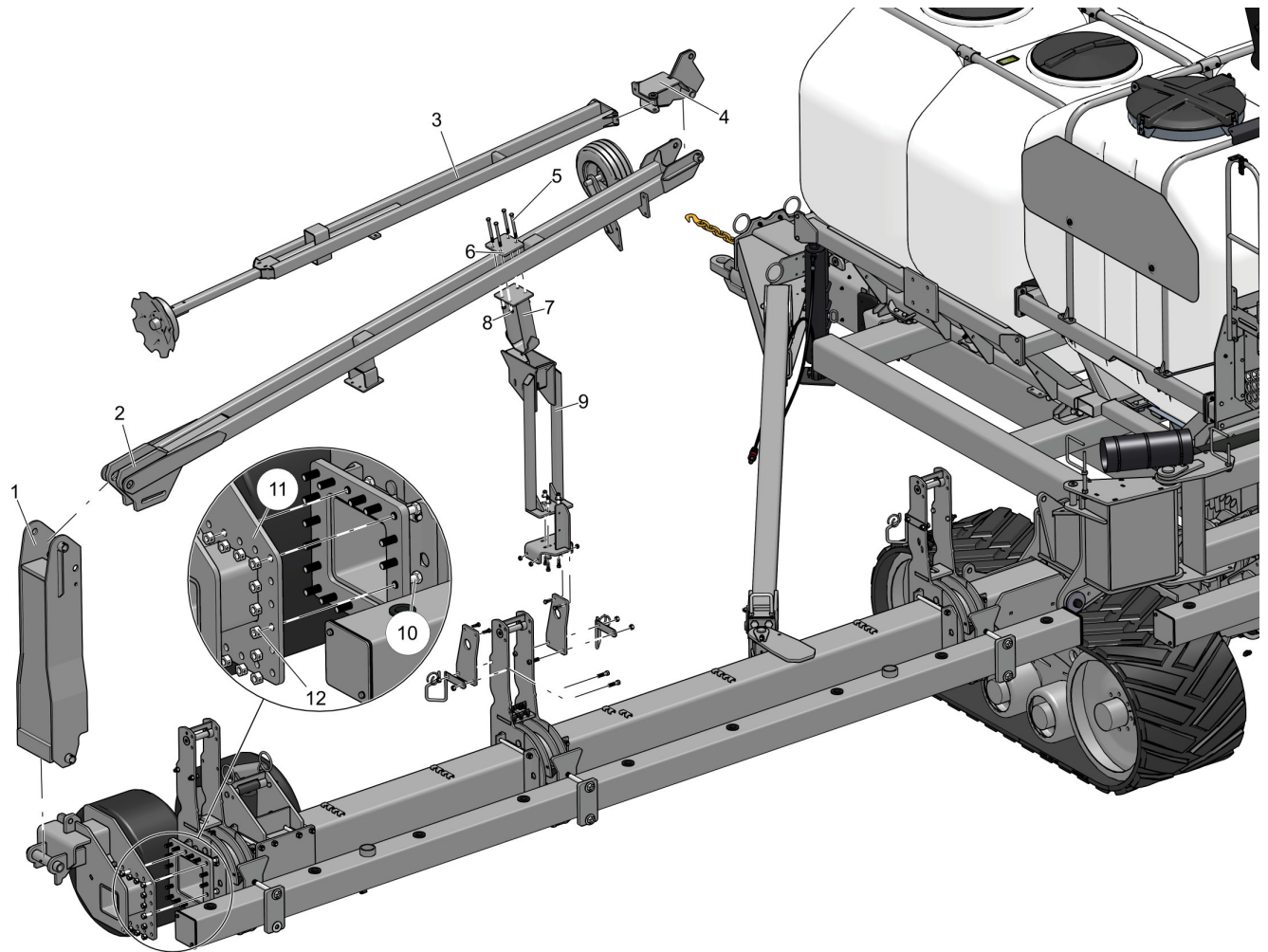
LH ROW MARKER MOUNT - TOOLBAR BEARING WELD (2 PLACES) (CURRENT)

| ITEM | PART NUMBER | QTY | DESCRIPTION |
|------|-------------|-----|--|
| 1 | P88845 | 4 | NUT TOP LK 5/8-11NC 5Z |
| 2 | P360363 | 1 | BRACKET WELD-LH HYD HOSE MOUNT 10 S |
| 3 | P360314 | 2 | SIDE PLATE-BASE MOUNT OFFSET |
| 4 | P88517 | 7 | BOLT-HEX: 1/2-13NC X 1-3/4 5ZP |
| 5 | P360364 | 1 | BRACKET WELD-RH HYD HOSE MOUNT 10 S |
| 6 | P353222 | 1 | UPPER MARKER REST WELD |
| 7 | P88347 | 6 | WASHER-FLAT: 1/2 (9/169 X 1-3/8 ACT) 2ZP |
| 8 | P88363 | 6 | NUT-LOCK: 2 POS 1/2-13NC 2ZP |
| 9 | 4000360878 | 1 | BRACKET WELD SEED TUBE MNT ROW MARKER |
| 10 | P88409 | 4 | BOLT-HEX: 5/8-11NC X 2-1/2 5ZP |



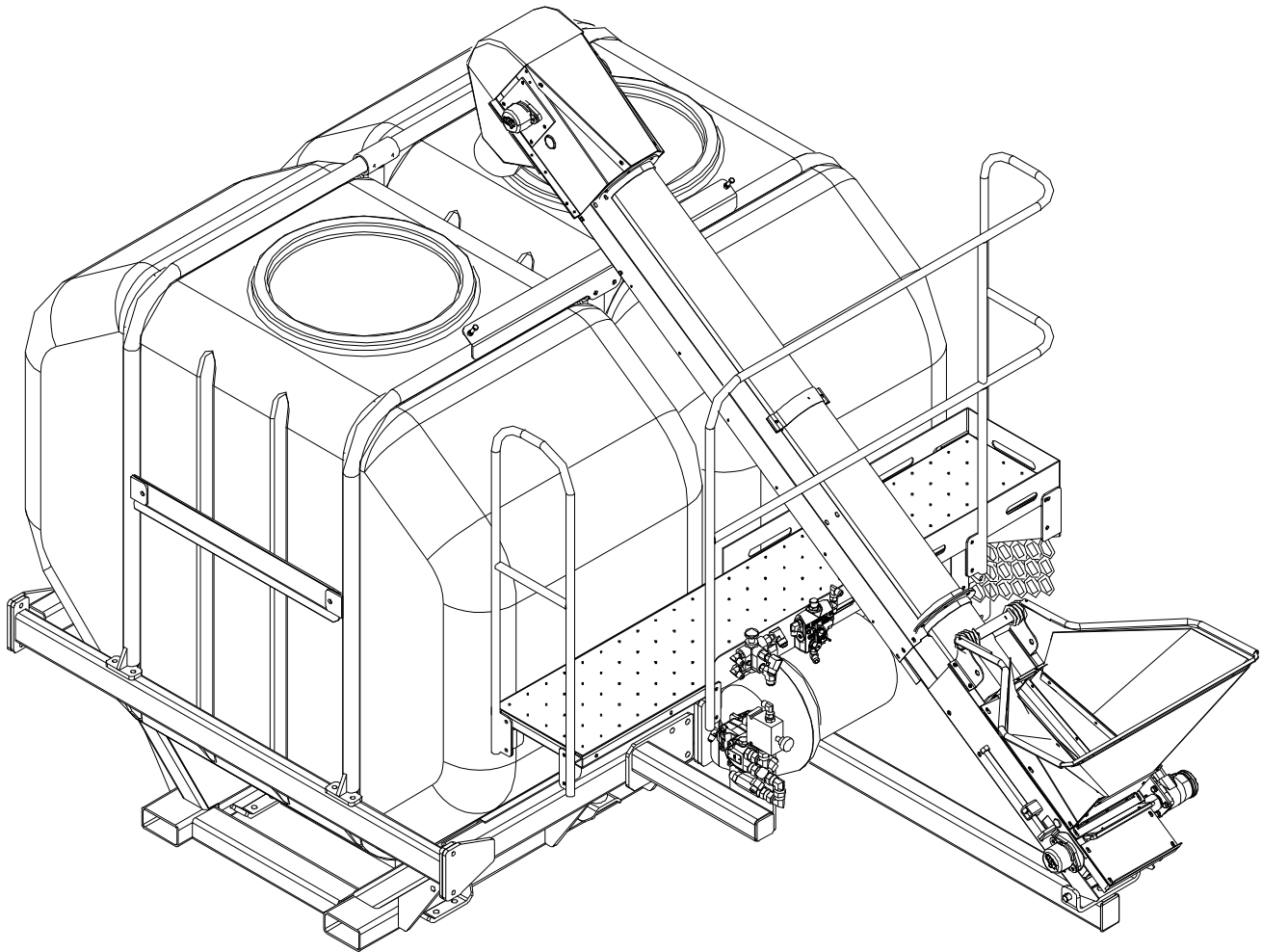
ROW MARKER ASSEMBLY (2 PLACES)

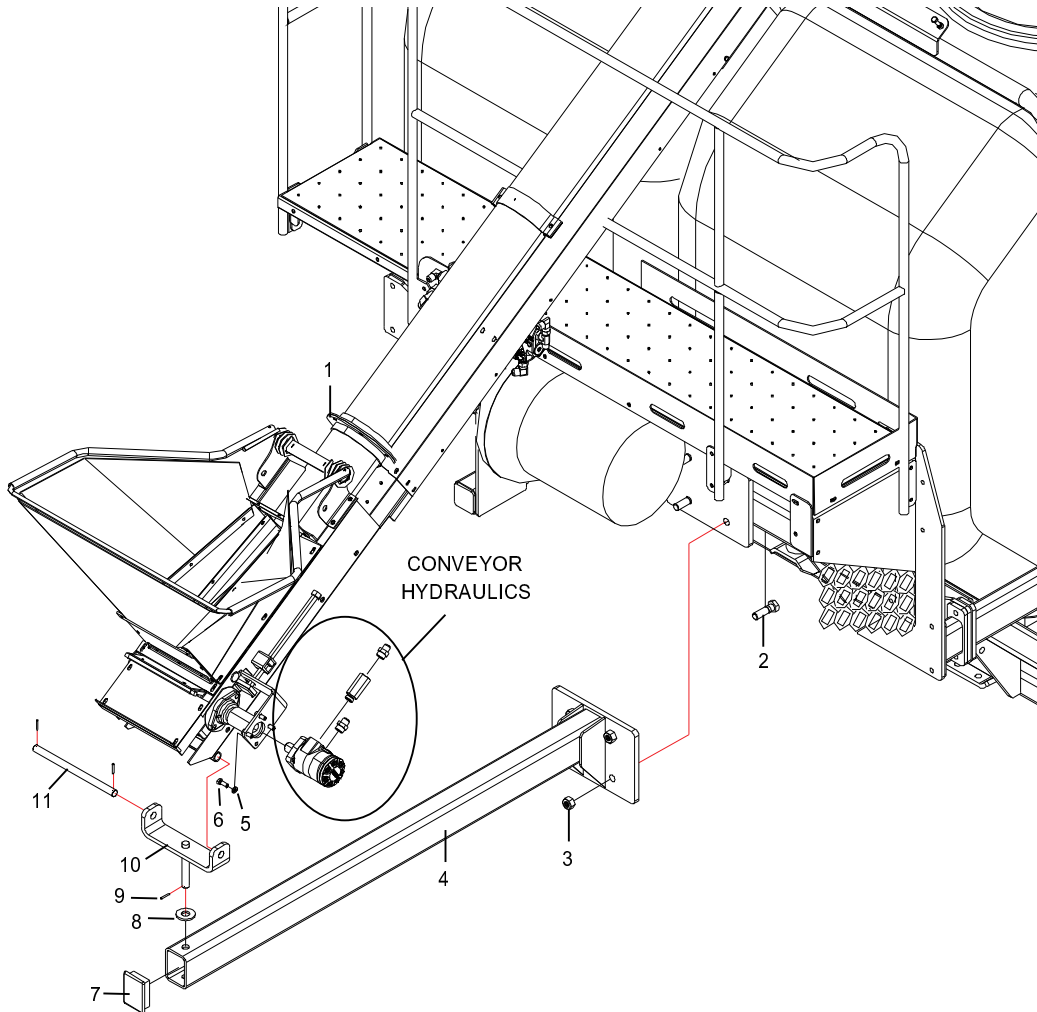
| ITEM | PART NUMBER | QTY | DESCRIPTION |
|------|-------------|-----|--|
| 1 | P12409 | 1 | ---- |
| 2 | P12410 | 1 | ---- |
| 3 | P353072 | 1 | MARKER WELD-OUTER SECTION 60FT |
| 4 | P353052 | 1 | HINGE WELD LH OUTER MARKER SECTION (SHOWN) |
| -- | P353074 | 1 | HINGE WELD RH-OUTER MARKER SECTION |
| 5 | P89525 | 4 | BOLT-HEX: 1/2: 1/2-13NC X 6 5Z |
| 6 | P353224 | 1 | BACK PLATE MARKER REST |
| 7 | P12406 | 1 | ---- |
| 8 | P88363 | 4 | NUT-LOCK: 2 POS 1/2-13NC 2ZP |
| 9 | P353222 | 1 | UPPER MARKER REST WELD |
| 10 | P89513 | 20 | BOLT-HEX: 3/4-10NC X 2-3/4 8YZ |
| 11 | P360312 | 1 | 10SQ TUBE WELD LH-MARKER MOUNT (SHOWN) |
| -- | P360313 | 1 | 10SQ TUBE WELD RH-MARKER MOUNT |
| 12 | P88356 | 20 | NUT-LOCK: 2 POS 3/4-10NC 5YZP |



LH ROW MARKER ASSEMBLY (2 PLACES)

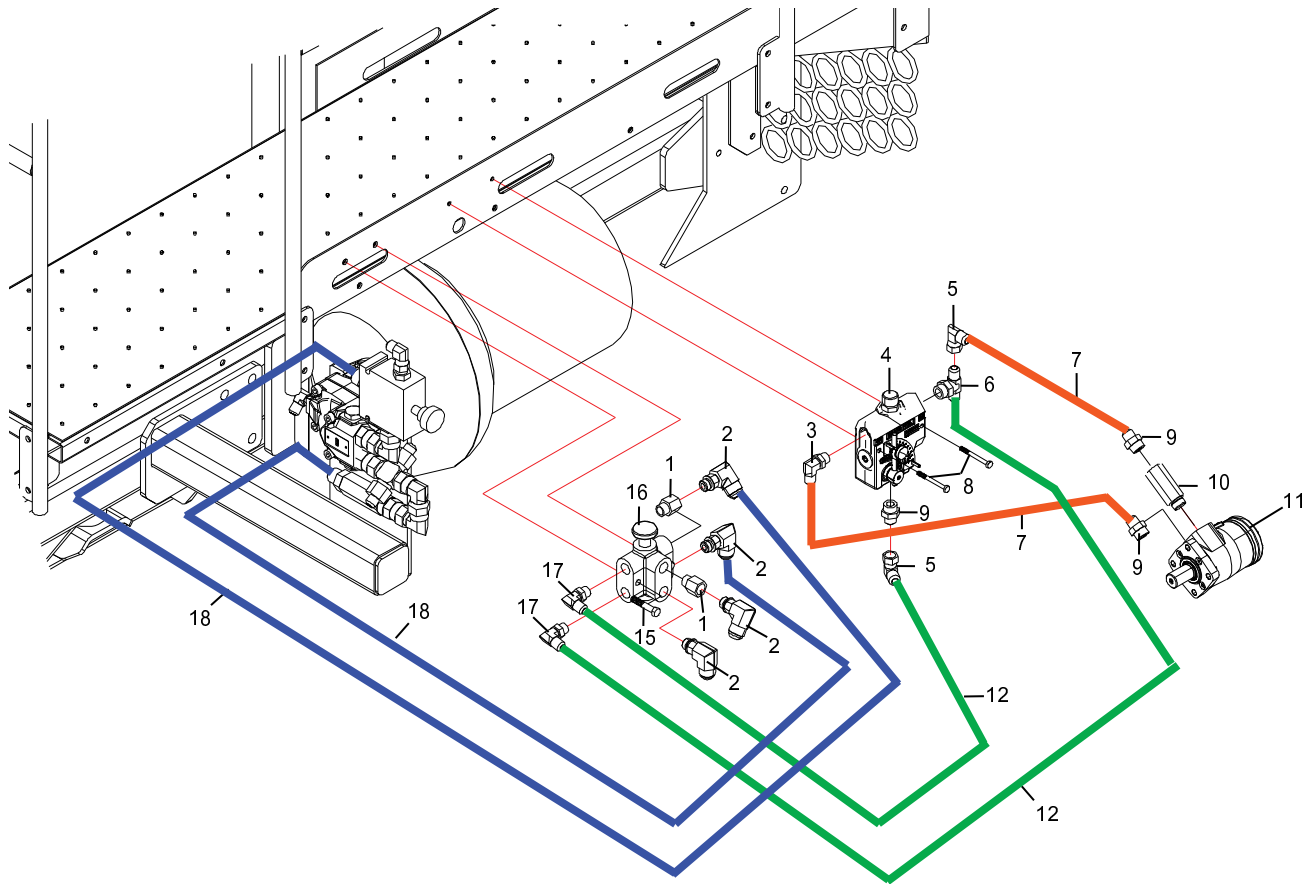
| ITEM | PART NUMBER | QTY | DESCRIPTION |
|------|-------------|-----|--|
| 1 | P12409 | 1 | ---- |
| 2 | P12410 | 1 | ---- |
| 3 | P353072 | 1 | MARKER WELD-OUTER SECTION 60FT |
| 4 | P353052 | 1 | HINGE WELD LH OUTER MARKER SECTION (SHOWN) |
| -- | P353074 | 1 | HINGE WELD RH-OUTER MARKER SECTION |
| 5 | P89525 | 4 | BOLT-HEX: 1/2: 1/2-13NC X 6 5Z |
| 6 | P353224 | 1 | BACK PLATE MARKER REST |
| 7 | P12406 | 1 | ---- |
| 8 | P88363 | 4 | NUT-LOCK: 2 POS 1/2-13NC 2ZP |
| 9 | P353222 | 1 | UPPER MARKER REST WELD |
| 10 | P89513 | 20 | BOLT-HEX: 3/4-10NC X 2-3/4 8YZ |
| 11 | P360312 | 1 | 10SQ TUBE WELD LH-MARKER MOUNT (SHOWN) |
| -- | P360313 | 1 | 10SQ TUBE WELD RH-MARKER MOUNT |
| 12 | P88356 | 20 | NUT-LOCK: 2 POS 3/4-10NC 5YZP |





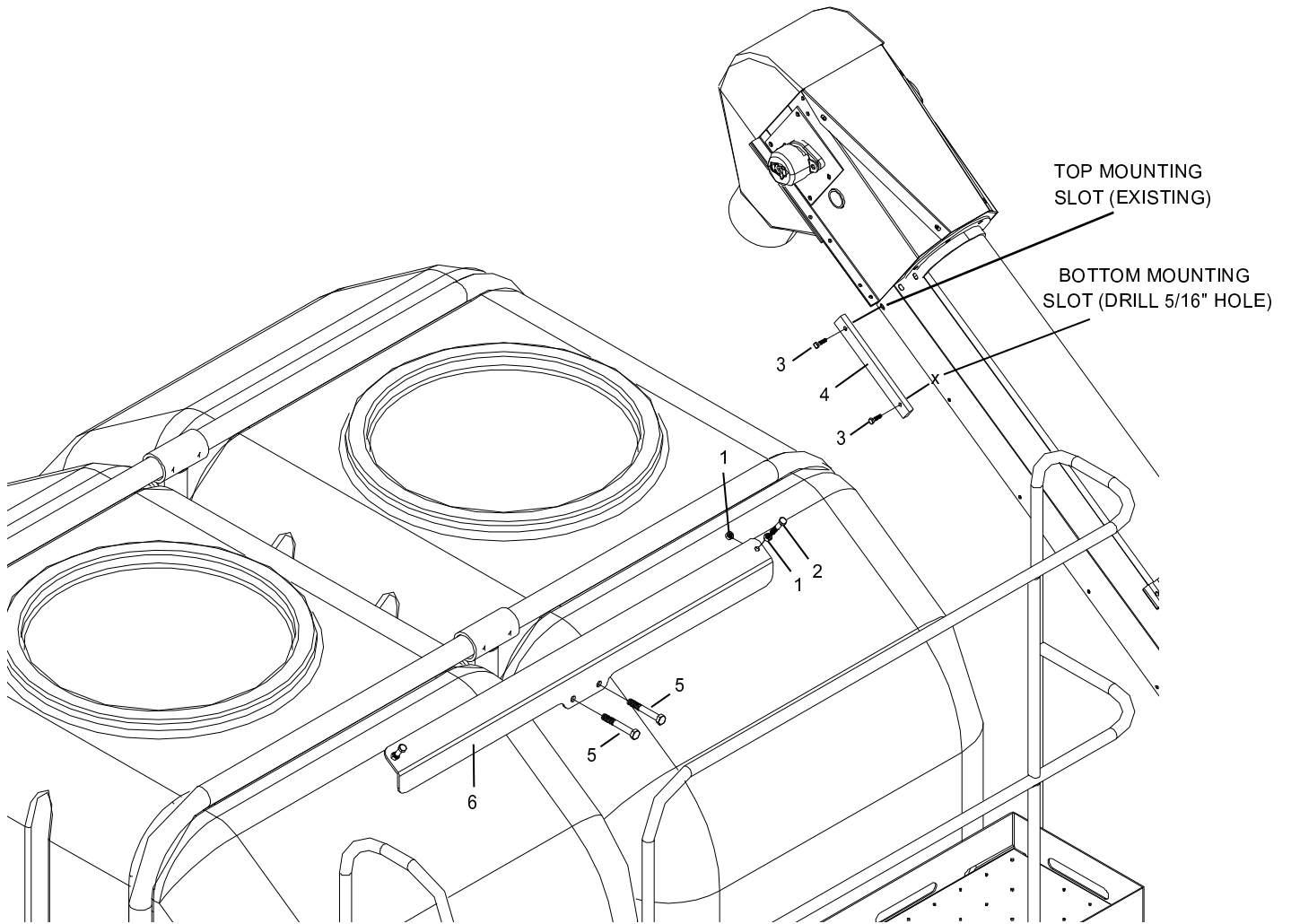
CONVEYOR-MAIN MOUNT

| ITEM | PART NUMBER | QTY | DESCRIPTION |
|------|-------------|-----|---|
| 1 | 354730 | 1 | 9FT LG CONVEYOR WITH 8IN WIDE CLEATED RUBBER BELT |
| 2 | P88404 | 4 | BOLT-HEX: 3/4-10NC X 2-1/2 5ZP |
| 3 | P88356 | 4 | NUT-LOCK: 2 POS 3/4-10NC 5YZP |
| 4 | P354786 | 1 | TUBE WELD-CONVEYOR MOUNT |
| 5 | P88362 | 4 | WASHER-HELICAL: 3/8ID ZP |
| 6 | P89034 | 4 | BOLT-HEX: 3/8-16NC X 1 5ZP |
| 7 | P353700 | 1 | 3 X 4 X 1/4 IN PLASTIC END CAP INSE |
| 8 | P88131 | 1 | WASHER-FLAT: 3/4 (13/16 X 2 ACT) 2ZP |
| 9 | P88856 | 1 | PIN ROLL 3/16DIA X 1-1/8 Z |
| 10 | P354790 | 1 | BOTTOM PIVOT WELD-CONVEYOR |
| 11 | P355411 | 1 | PIN-HORIZONTAL CONVEYOR MOUNT |



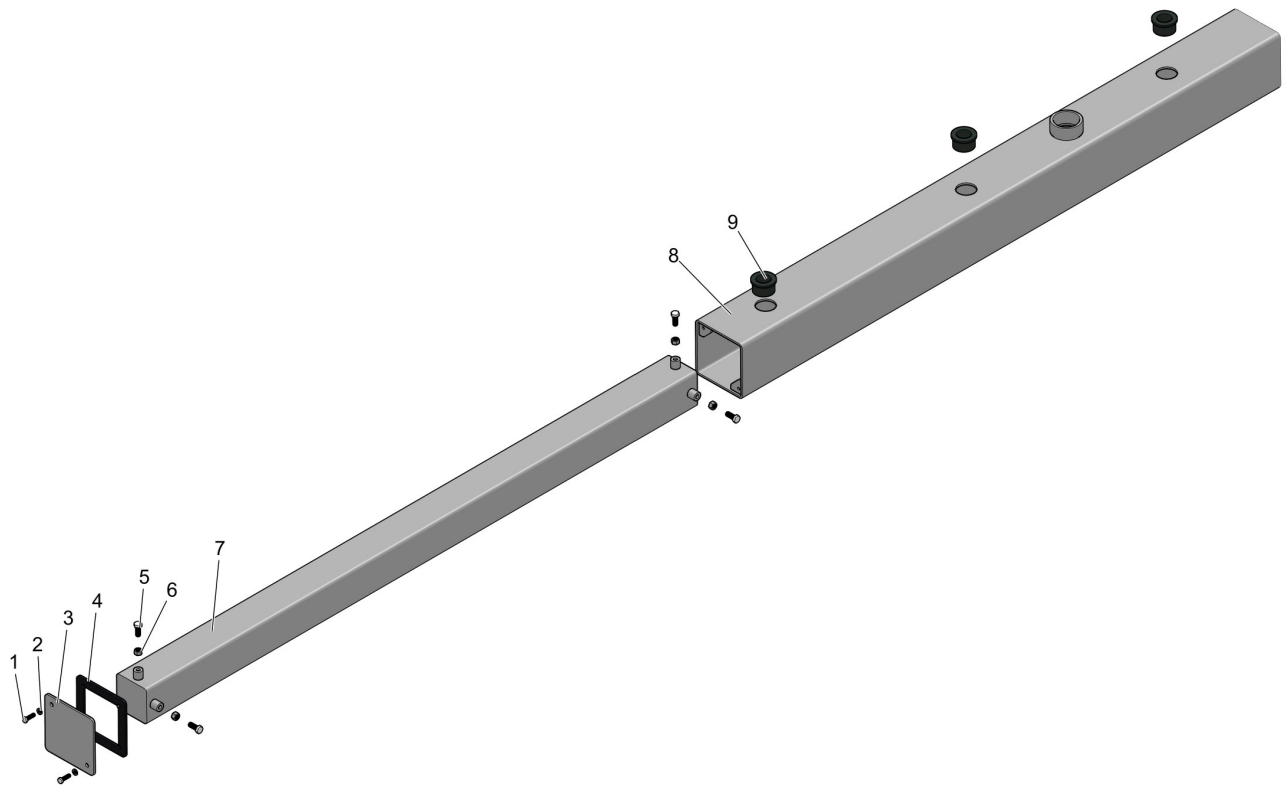
CONVEYOR-HYDRAULICS

| ITEM | PART NUMBER | QTY | DESCRIPTION |
|------|-------------|-----|------------------------------------|
| 1 | P355417 | 2 | ADP 8MORB-8FORB |
| 2 | P355410 | 4 | ELB 12MJ X 8MORB |
| 3 | PA65901 | 1 | FTG-ELBOW: 10MB-8MJ-90 |
| 4 | P355408 | 1 | FLOW CONTROL VALVE FCR51 |
| 5 | P25591 | 2 | ELB 8MJ X 8FJX |
| 6 | P240368 | 1 | TEE 8MJ X 8MJ X 10 MORB |
| 7 | P88171 | 2 | BOLT-HEX: 1-4-20NC X 2-1/2 5ZP |
| 8 | P1015802 | 2 | HOSE: .50 X 050 8FJX-8FJX |
| 9 | P240367 | 3 | ADP 8MJ X 10MORB |
| 10 | P355409 | 1 | INLINE CHECK VALVE FC-10 |
| 11 | P355407 | 1 | HYDRAULIC MOTOR-CHAR LYNN 101-1010 |
| 12 | PA66607 | 2 | HOSE: .50 X 029 8FJX-8FJX |
| 15 | P89011 | 1 | BOLT-HEX: 3/8-16NC X 2 5Z |
| 16 | P222028 | 1 | DOUBLE SELECTOR VALVE |
| 17 | P25580 | 2 | ELB 8MORB X 8MJ |
| 18 | P355418 | 2 | HSE 3KPSI 3/4X60 12FJX-12FJX |



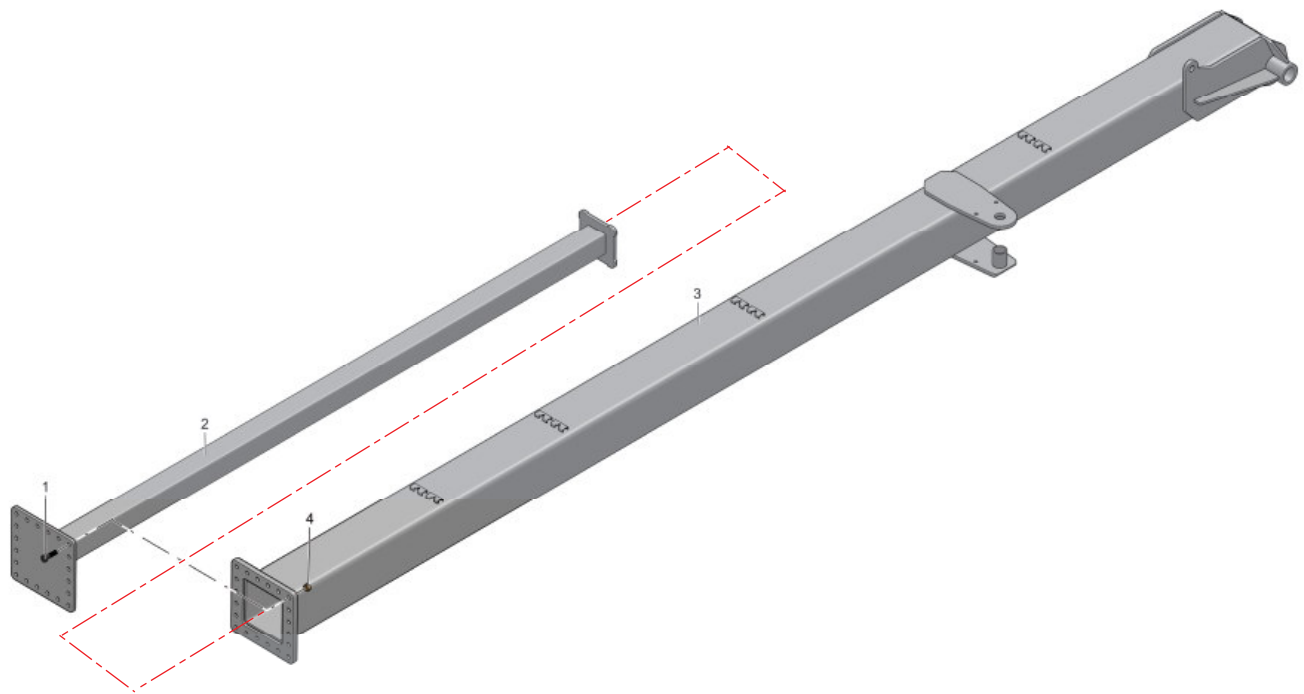
CONVEYOR-TOP SLIDE

| ITEM | PART NUMBER | QTY | DESCRIPTION |
|------|-------------|-----|---------------------------------|
| 1 | P88103 | 4 | NUT-HEX: 3/8-16 5ZP |
| 2 | P89011 | 2 | BOLT-HEX: 3/8-16NC X 2 5ZP |
| 3 | P88203 | 2 | BOLT-HEX: 1/4-20 X 1 5ZP |
| 4 | P354792 | 1 | UHMW BAR CONVEYOR SLIDE |
| 5 | P88507 | 2 | BOLT-HEX: 1/2-13NC X 3-1/2 5ZP |
| 6 | P354791 | 1 | FORMED ANGLE-TOP CONVEYOR SLIDE |



WEIGHT BALANCE KIT SECONDARY TOOLBAR (OPTIONAL) (2 PLACES)

| ITEM | PART NUMBER | QTY | DESCRIPTION |
|------|-------------|-----|--------------------------------|
| 1 | P88555 | 4 | BOLT-HEX: 3/8-16 NC X 1-1/4 5Z |
| 2 | P88362 | 4 | WASHER-HELICAL: 3/8ID ZP |
| 3 | P246847 | 2 | END CAP-7SQ TUBE CLEAN OUT ZP |
| 4 | P246849 | 2 | GASKET-7SQ END CAP |
| 5 | P88554 | 4 | BOLT-HEX: 1/2-13NC X 1-1/4 5ZP |
| 6 | P88104 | 4 | NUT-HEX: 1/2-13NC 5ZP |
| 7 | 360318 | 1 | BALLAST WELD-SECONDARY TOOLBAR |
| 8 | 359938 | 1 | TOOLBAR WELD-WING 24R30 PP |
| 9 | P359939 | 9 | RUBBER BUSHING-REDUCER |



WING WEIGHT BALANCE KIT (OPTIONAL) (2PLACES) RH WING SHOWN

| ITEM | PART NUMBER | QTY | DESCRIPTION |
|------|-------------|----------|--|
| 1 | P89513 | 20 | BOLT-HEX: 3/4-10NC X 2-3/4 8YZ |
| 2 | 359991 | 1 | BALLAST WELD-LARGE FRAME PLANTER BAR 10SQ |
| 3 | P360500CG | 1 | WING WELD - RIGHT 24R30 60FT CHASSIS GRAY (SHOWN) |
| -- | P360499CG | 1 | WING WELD - LEFT 24R30 60FT CHASSIS GRAY |
| -- | P360500G | OPTIONAL | WING WELD - RIGHT 24R30 60FT GREEN |
| -- | P360499G | OPTIONAL | WING WELD - LEFT 24R30 60FT GREEN |
| -- | P360500 | OPTIONAL | WING WELD - RIGHT 24R30 60FT RED |
| -- | P360499 | OPTIONAL | WING WELD - LEFT 24R30 60FT RED |
| 4 | P88356 | 20 | NUT-LOCK: 2POS 3/4-10NC 5YZP |

