

# Parts Manual

# Tempo K



01-25 | 10084685



## TABLE OF CONTENTS

FOREWORD .....	6
Abbreviations .....	6
Parts Ordering Procedure .....	6
Location of Product Model and Serial Number (Identification Plate) .....	6
Camso Track Series & Brand Comparison .....	7
Camso TTS (Trailed Track System) Special Tools Kit.....	7
 FRAME .....	 1-1
Track & Axle 60' .....	1-2
Front Telescoping Tongue: Plastic Slides & Main Frame .....	1-4
Front Telescoping Tongue: Wing Brace & Hydraulic Jack.....	1-6
Front Telescoping Tongue .....	1-8
Manual Storage Case .....	1-10
Front & Rear Cradle Mounts With Blank Load Shaft.....	1-12
Main Frame & Center Section.....	1-14
Main Frame & Center Section, Cylinder Orientation, 120 Axle .....	1-16
Main Frame & Center Section, Cylinder Orientation .....	1-18
Center Lift Frame Assembly.....	1-20
Center Section Toolbar Mount.....	1-22
Module Mount, Flasher .....	1-24
Bearing Assembly w/Tilt Cylinder.....	1-28
Wheel Mount Outer Wing, LH & RH.....	1-30
Wing End Cap, LH & RH.....	1-32
Brace Arm Hinge, LH & RH.....	1-34
Platform Support .....	1-36
Platform Assembly .....	1-38
Platform Assembly, Support & Safety Step Mounting .....	1-40
Platform Assembly, Railing & Worklights .....	1-42
Tank Mounting, Front & Rear Cradle.....	1-44
Staircase Mounts, Rear.....	1-48
Staircase Assembly, Rear .....	1-50
Staircase Mounting, Rear.....	1-52
Scale Link & J Box Mounting Plate .....	1-54
Frame, Secondary Toolbar, Center Section .....	1-56
Frame, Secondary Toolbar, LH Wing .....	1-58
Frame, Secondary Toolbar, RH Wing.....	1-60
 ROW UNITS.....	 2-1
Adapter.....	2-2
Arm, Adjustable .....	2-4
Bracket.....	2-6
Linkage, Hydraulic.....	2-8
Frame, Row Unit .....	2-10
Closing Wheel, Narrow .....	2-12
Closing Wheel, Spiked .....	2-14
Closing Wheel, Treaded.....	2-16
Closing Wheel, Wide.....	2-18
Press Wheel.....	2-20
Press Wheel, Shallow, Adjustable Arm .....	2-22
Press Wheel, Shallow, Grille .....	2-24

Push Rod, WSX .....	2-26
Push Rod .....	2-28
Row Cleaners.....	2-30
Seed Coulter, 16mm .....	2-32
Seed Coulter, 22mm .....	2-34
Disc, Seed.....	2-36
Seed Feed Housing .....	2-38
Seed Feed Housing .....	2-40
Seed Hopper.....	2-42
Fertilizer Transport.....	2-44
SPINDLES & WHEELS .....	3-1
Wheel Leg, LH & RH Wing.....	3-2
Hub & Spindle Assembly.....	3-4
HYDRAULIC SYSTEM .....	4-1
Hydraulic Jack.....	4-2
Hydraulic Cylinder Guards, 120 Axle .....	4-4
Hydraulic Cylinder, Row Unit.....	4-6
Hydraulic Central Fill Fan.....	4-8
Central Fill Fan Circuit.....	4-10
Tilt Circuit .....	4-12
Fold Circuit.....	4-14
Main Lift Circuit .....	4-16
Conveyor Hydraulics .....	4-18
Weight Distribution - Wing Down Pressure Circuit.....	4-20
Weight Distribution - Wing Down Pressure .....	4-22
Hydraulic Hose Brackets.....	4-24
Hydraulic Hose Bleed Kit .....	4-26
Hydraulics, Row Unit, Center Section.....	4-28
Row Unit Circuit, Left Section .....	4-30
Row Unit Circuit, Right Section .....	4-32
Hydraulic Block, Power Beyond.....	4-34
Hydraulic Block, Central Hyd. Down Force, 30001524.....	4-36
Hydraulic Block, Individual Row Unit Down Force, 30001526 .....	4-38
Hydraulic Block, Row Unit, 198461 .....	4-40
Hydraulic Block, Row Unit, 198462.....	4-42
Hydraulic Block, End Row Unit, 212212 .....	4-44
Hydraulic Block, Row Unit, 30001486.....	4-46
Weight Transfer, Hydraulic Block, Row Unit.....	4-48
Weight Transfer, Row Unit .....	4-50

ELECTRICAL SYSTEM.....	5-1
Harness, Wing Section.....	5-2
Harness, Lights .....	5-4
Harness, Air Pressure & Singulation, Row Unit .....	5-6
Harness, Air Pressure, Row Unit.....	5-8
Harness, Amplifier & Valve, Row Unit .....	5-10
Harness, Auto Singulation Motor, Row Unit .....	5-12
Harness, Connbox Wing, Row Unit.....	5-14
Harness, Cover .....	5-16
Harness, Row Pressure Amplifier, Row Unit.....	5-18
Harness, Seed Meter & Sensor, Row Unit.....	5-20
LED Safety Lights .....	5-22
Radar .....	5-24
Control Box - PDB, Fuse Box, WSX .....	5-26
E-Keeper.....	5-28
Pressure Fan, Seed Meter .....	5-30
Electric Motor .....	5-34
Seed & Fertilizer Tank Circuit.....	5-36
APPLICATION SYSTEM .....	6-1
Seed Delivery Tubes, LH & RH.....	6-2
Air Pressure Gauge.....	6-4
Air Pressure Gauge & Hose Routing .....	6-6
Plenum Assembly.....	6-8
Y-Mount Plate Assembly, 6" .....	6-10
Seed Tube Routing, LH.....	6-12
Seed Tube Routing, RH .....	6-14
Air Hose Connection .....	6-16
PRODUCT CONTAINMENT .....	7-1
Tank Cradle Assembly, Front .....	7-2
Tank Cover Assembly, Front .....	7-4
Tank Ladder Assembly, Front.....	7-6
Tank Assembly, Rear.....	7-8
Tank Cover Assembly, Rear .....	7-10
Conveyor Assembly, Agco Model 0806, 080609-03.....	7-12
Lower End Group, Conveyor, Agco Model 0806, 65020-13-PK.....	7-14
Upper End Group, Conveyor, Agco Model 0806, 65050-07-PK.....	7-16
Collapsible Hopper Group, Conveyor, Agco Model 0806, 60112-03-PB.....	7-18
Main Mount, Conveyor, Agco Model 0806 .....	7-20
Top Slide, Conveyor, Agco Model 0806 .....	7-22

DRIVE SYSTEM ..... 8-1

- Track & Undercarriage ..... 8-2
- Undercarriage Assembly ..... 8-4
- Frame Assembly ..... 8-6
- Tension Link Assembly ..... 8-8
- Tensioner Assembly ..... 8-10
- Alignment Assembly ..... 8-12
- Bogie Assembly - Mid-Roller ..... 8-14
- Hub - Idler ..... 8-16
- Hub - Mid-Roller ..... 8-18
- 4.5" Pin ..... 8-20
- 6" & 9" Stabilizer Assemblies ..... 8-22

SAFETY SIGNS & DECALS ..... 9-1

- SMV Emblem ..... 9-2
- Decals, Safety ..... 9-4
- Decals, Safety, Conveyor ..... 9-6
- Decals, Safety, Conveyor ..... 9-8

OPTIONS ..... 10-1

- Scale Kit, Front & Rear Tank ..... 10-2



# FOREWORD

---

## Abbreviations

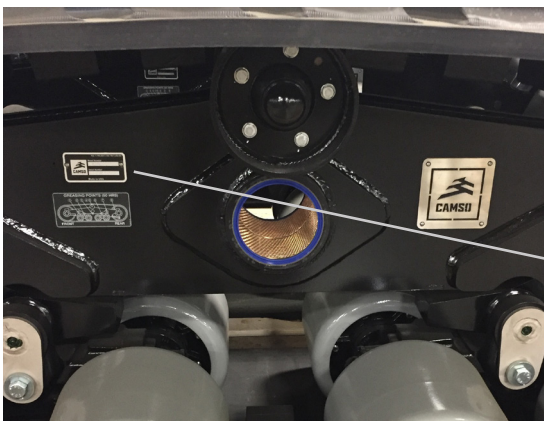
- FN -** Footnote (FN) is a column in the parts list used to communicate information that directly affects the part it's lined up with. The number used will correspond with information located below the parts list.
- REF -** Reference (REF) is used in the part number column and indicates the part has special service information. The location of this information is often referenced in the description column.
- UAR -** Use As Required (UAR) is used in the quantity column indicating the number of parts used is determined by service needs.
- NSS -** Not Serviced Separately (NSS) in a part number column indicates the part is not available for service.

## Parts Ordering Procedure

When ordering parts for your implement, please contact an authorized dealer in your area. If the parts are associated with a possible warranty claim, make sure that you contact the original dealer from which you purchased

the implement. Make sure to provide the Model, Serial number, Part number, Part description, and quantity.

## Location of Product Model and Serial Number (Identification Plate)





## Camso Track Series & Brand Comparison

### 70 Series (236" Track)

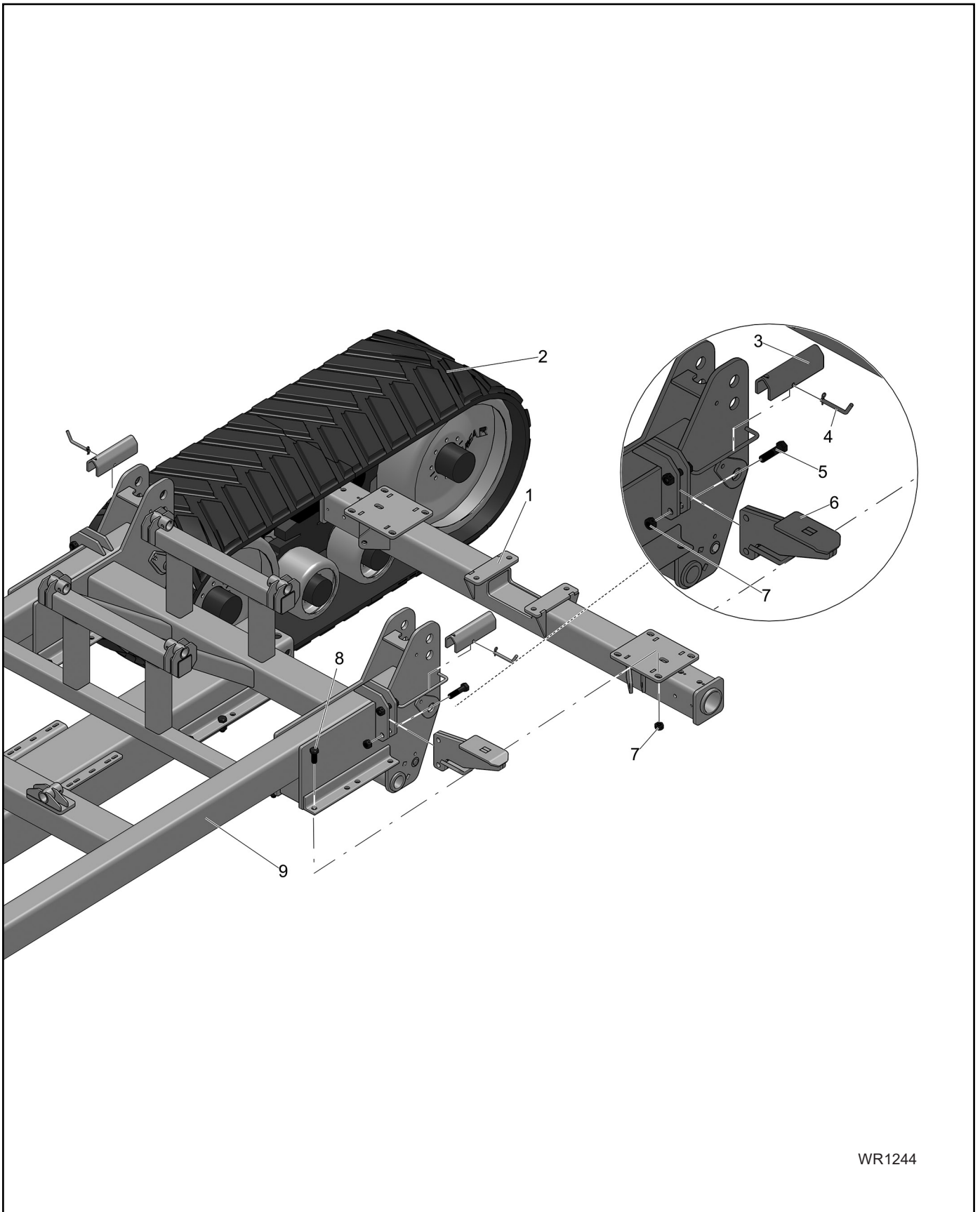
Track Size	<b>236" x 25"</b>	<b>236" x 30"</b>
<b>TTS Model</b>	70-2516	70-3011

### Camso TTS (Trailed Track System) Special Tools Kit

<b>Part Number</b>	<b>Description</b>
2P-0204-100	TTS Special Tools Kit (Includes items below)
30001741	Machine Face Seal Installation Tool (Idler)
30001742	Machine Face Seal Installation Tool (Mid-roller)
30001743	Spanner Socket (Mid-roller & Idler)
2P-0022-100	Spanner Socket (Carrier Roller)
30001744	Lock Washer Tab Bender
2P-0205-100	Tensioning Spring Locknut Socket

# FRAME

## Track & Axle 60'

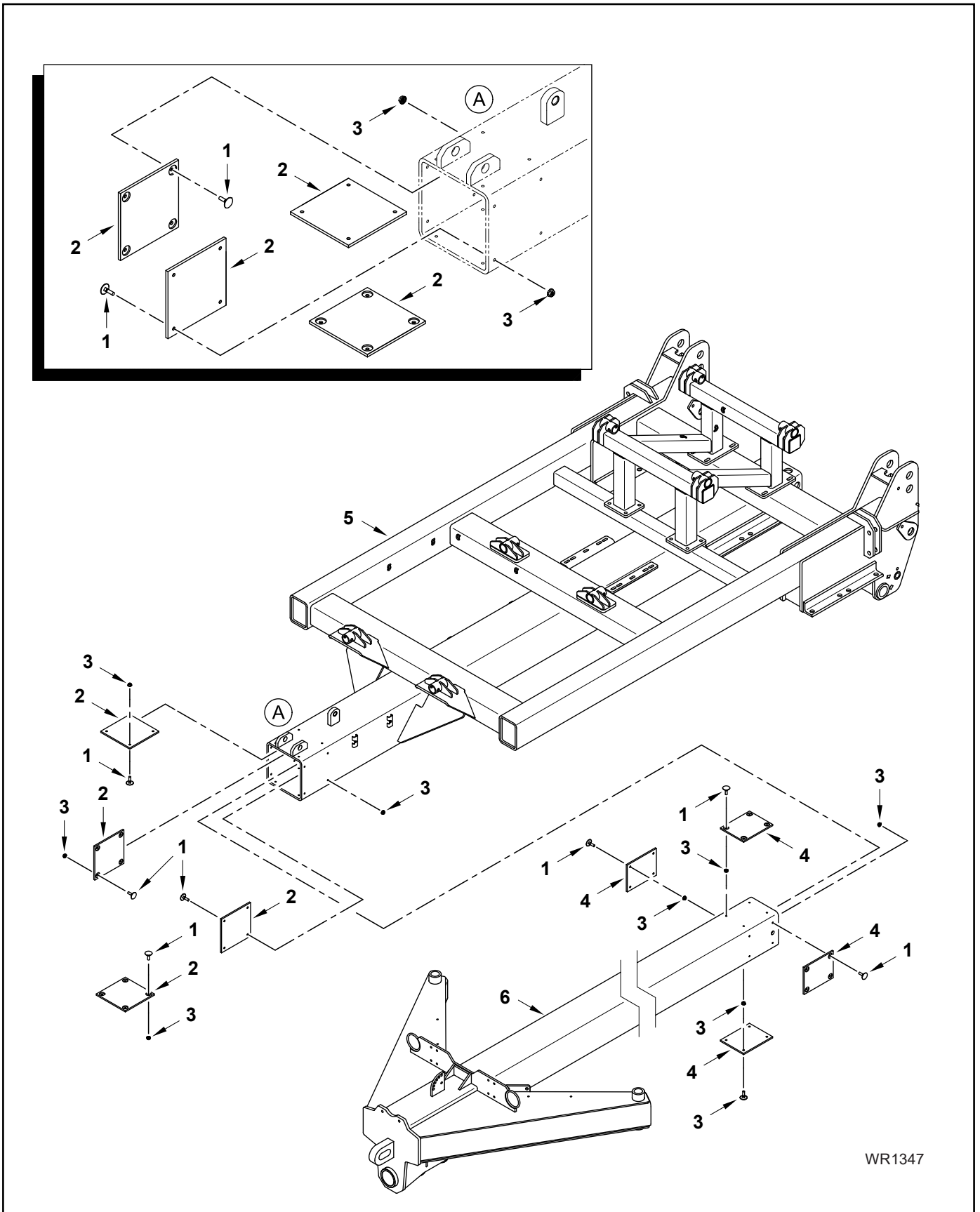


WR1244

REF.	FN	Part Number	Series	Qty.	Description
1		4000360757		1	AXLE, Track, 30W 120CTR 4-1/2" Pin
2		820596		2	TRACK SYSTEM, Rubber, 30x67 70-3012GY1-0049
2		820597		2	TRACK SYSTEM, Rubber, 25 x 67 70-2516GY, Not Shown
3		4000360902		2	CHANNEL, Lock, 12"
4		P234811		2	PIN, Bent w/ Hair Pin, 1/2" x 4"
5		P88398		4	BOLT, Hex, 1"-8NC x 4" 5ZP
6		4000360903		2	SADDLE, Transport, 90'
7		P88348		20	NUT, Lock, 2 POS 1"-8NC 2ZP
8		P88393		12	BOLT, Hex, 1"-8NC x 2-1/2" 5ZP+
9		30001722		1	MAIN FRAME, 60'

# FRAME

## Front Telescoping Tongue: Plastic Slides & Main Frame



WR1347

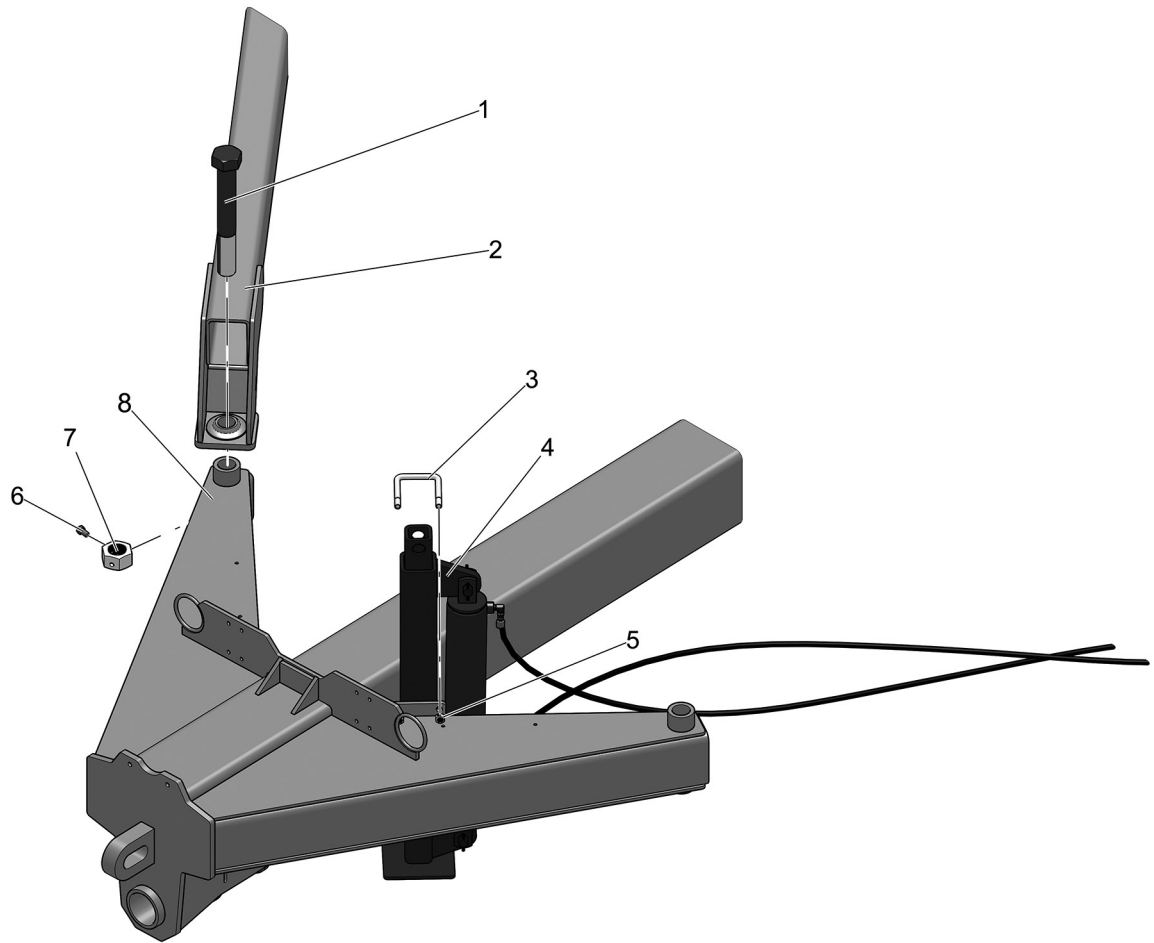
---

**Front Telescoping Tongue: Plastic Slides & Main Frame**

REF.	FN	Part Number	Series	Qty.	Description
1		P89133		32	BOLT, Elev, 5/16"-18NC x 1-1/4" FLTHD
2		P241102		4	PLASTIC SLIDE, Mainframe, 10 x 10
3		P88834		32	NUT, Lock, 5/16"-18NC (Flanged) 5Z
4		P241103		4	PLASTIC SLIDE, Teletongue, 8 x 10
5		30001722		1	MAIN FRAME, 60'
6		4000360887		1	TONGUE, 60'

# FRAME

## Front Telescoping Tongue: Wing Brace & Hydraulic Jack



WR1200

---

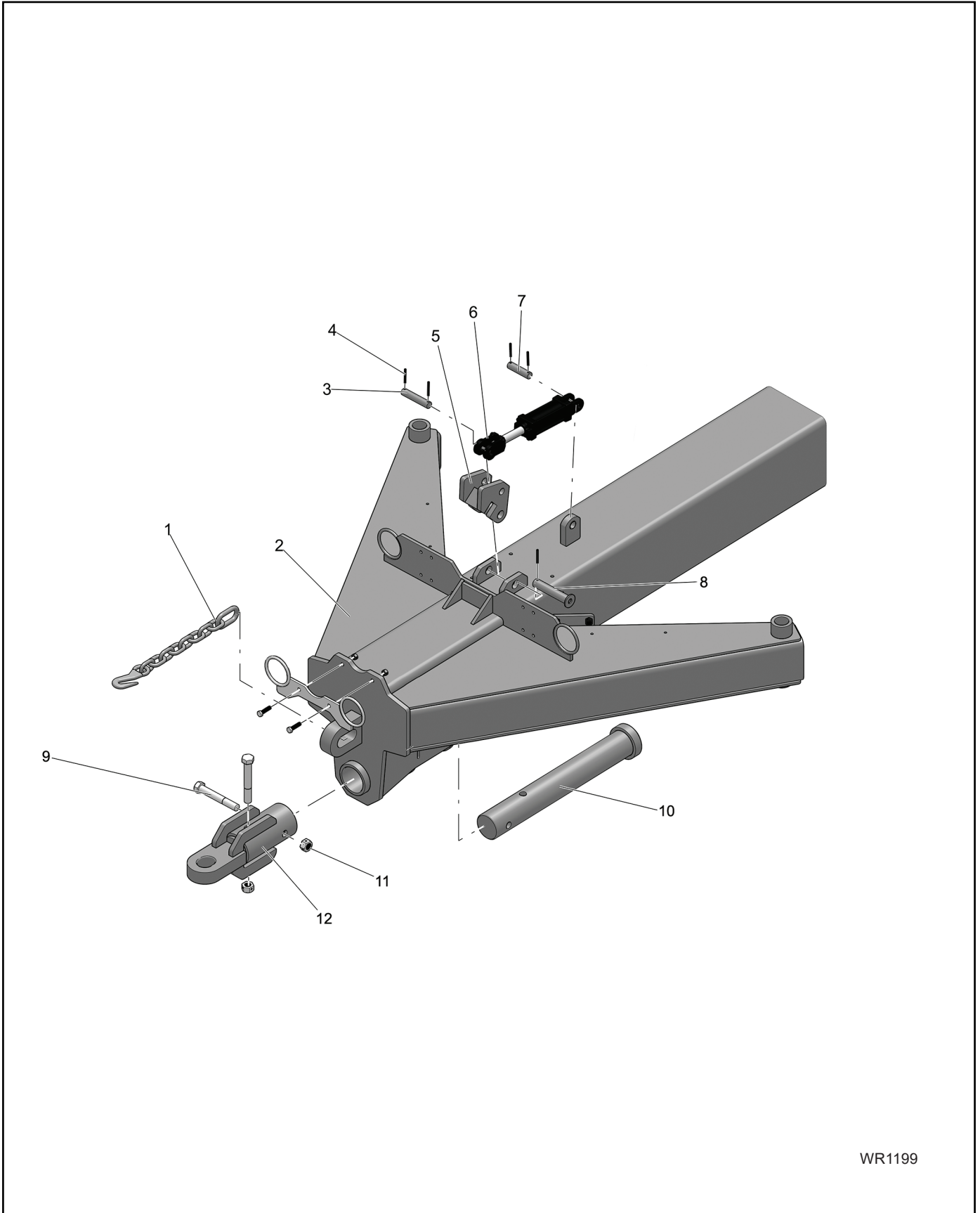
**Front Telescoping Tongue: Wing Brace & Hydraulic Jack**

REF.	FN	Part Number	Series	Qty.	Description
1		P89444		2	BOLT, Hex, 2"-4-1/2NC x 15" (A354) 8YZ
2		4000360895		2	BRACE, Wing, 60'/10SQ
3		P45633		3	BOLT, U-Type, 5/8"-11NC x 4" x 5-1/2" Z
4		P51241F		1	JACK, Hyd., 3" x 24" FGS #A519CY10
5		P88369		6	NUT, Lock, 2 POS 5/8"-11NC 5YZP
6		P89449		2	BOLT, Hex, 9/16"-12NC x 1" 8YZ
7		PW1506-9-16		2	NUT, Cross Drill, 2" 9/16" UNC (w/Set Screw)
8		4000360887		1	TONGUE, 60'

Note: See page 4-2 for the complete hydraulic jack assembly.

# FRAME

## Front Telescoping Tongue



WR1199

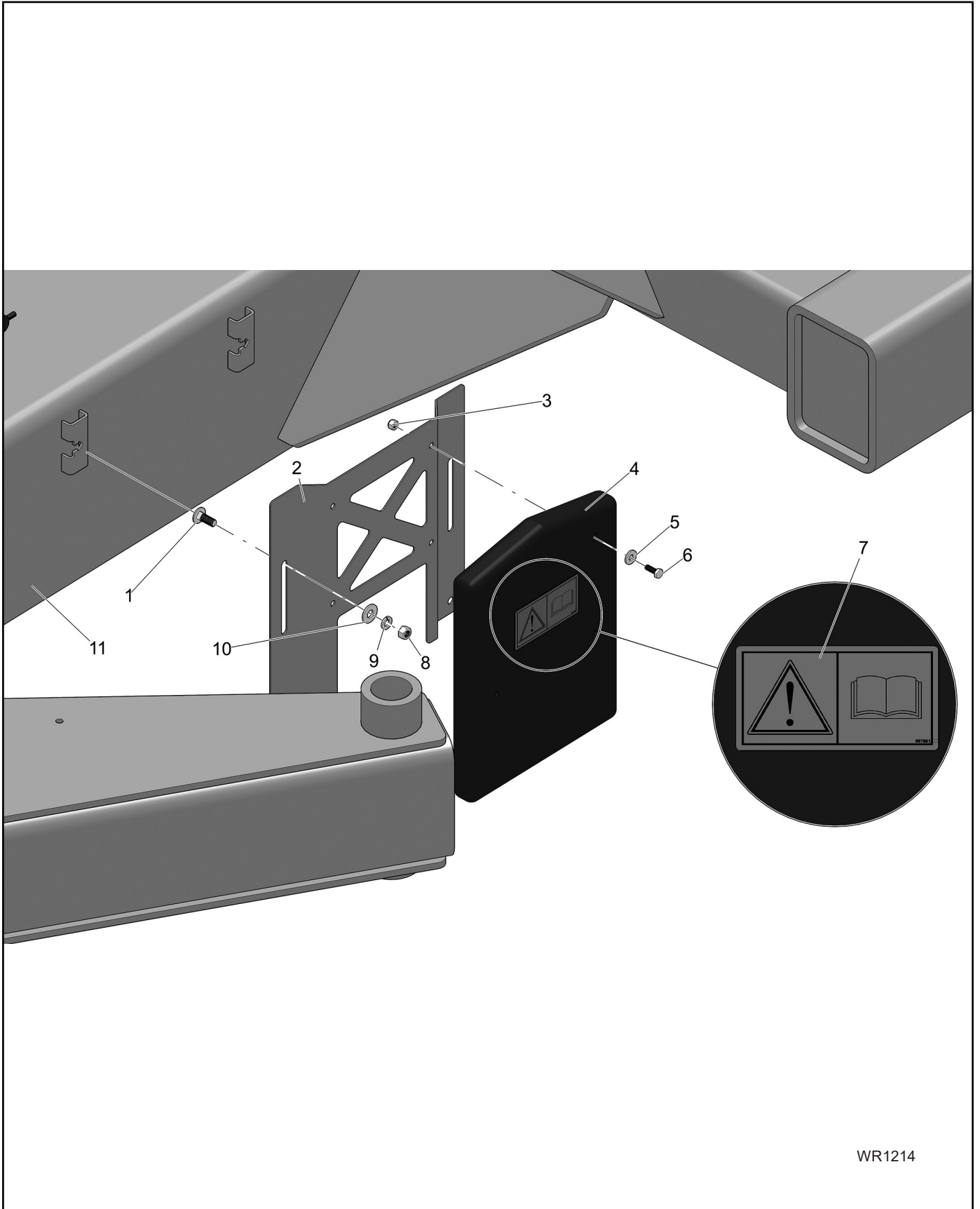


## Front Telescoping Tongue

REF.	FN	Part Number	Series	Qty.	Description
1		P238225		1	CHAIN, Safety, 40K
2		4000360887		1	TONGUE, 60'
3		P221344		1	PIN, Headless, 1 x 5.12
4		P42484		5	PIN, Roll, 1/4" x 2-1/4" ZP
5		4000360897		1	TONGUE, Latch
6		PB112426		1	TIE ROD, Cylinder, 2-1/2" x 4"
		360715		UAR	Kit, Seal
7		P221714		1	PIN, Headless, 1 x 4.00
8		P241219		1	PIN, 1-1/4" DIA x 6-3/8"
9		P88687		2	BOLT, Hex, 1"-8NC x 7" 8YZ
10		4000360744		1	PIN, Pivot, TB Hitch
11		P88348		2	NUT, 2 POSLK 1"-8NC 5Z
12		4000360762		1	HITCH, Swivel, CAT IV
		4000360930		1	HITCH, Swivel, CAT V, Not Shown

# FRAME

## Manual Storage Case



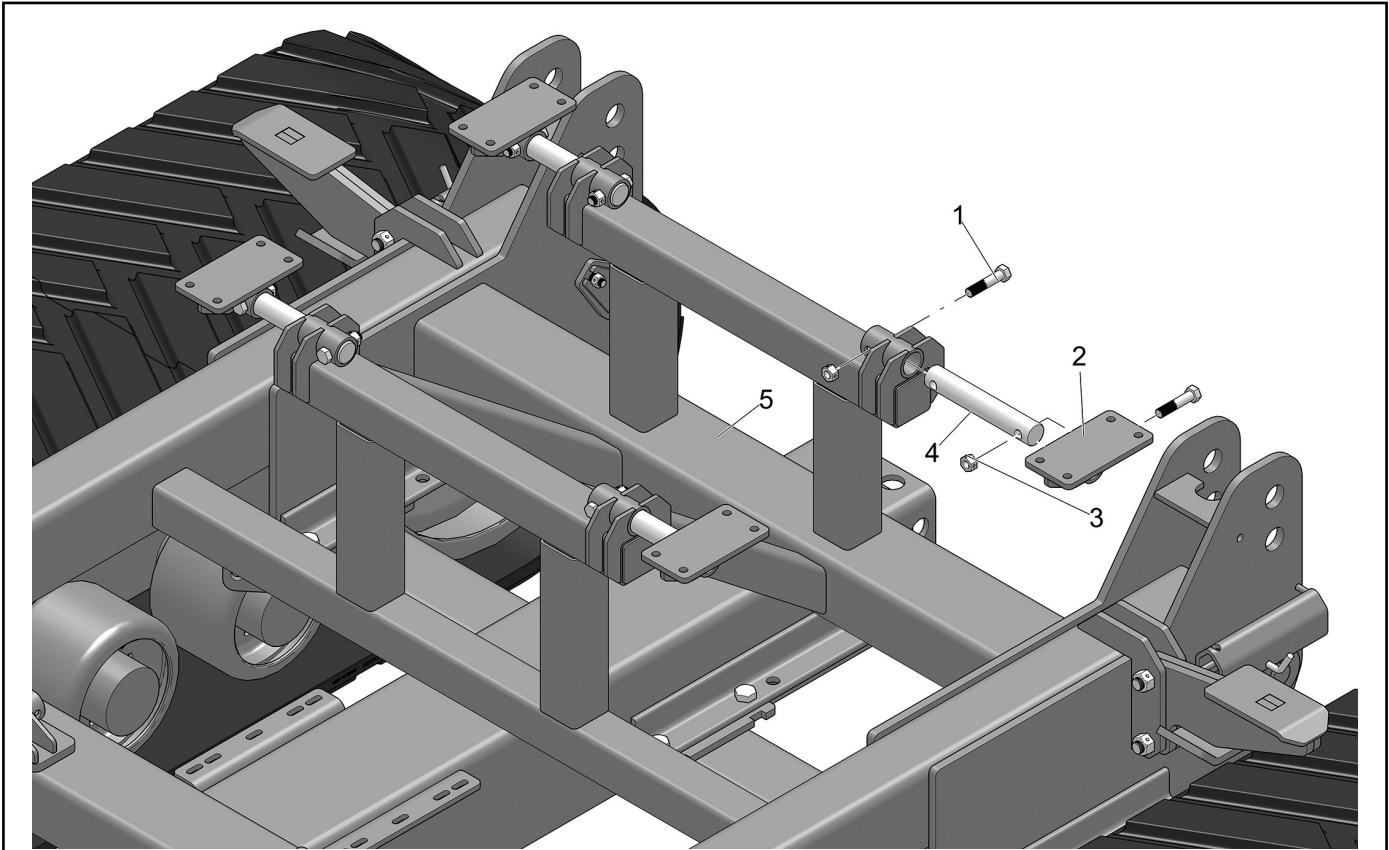
WR1214

## Manual Storage Case

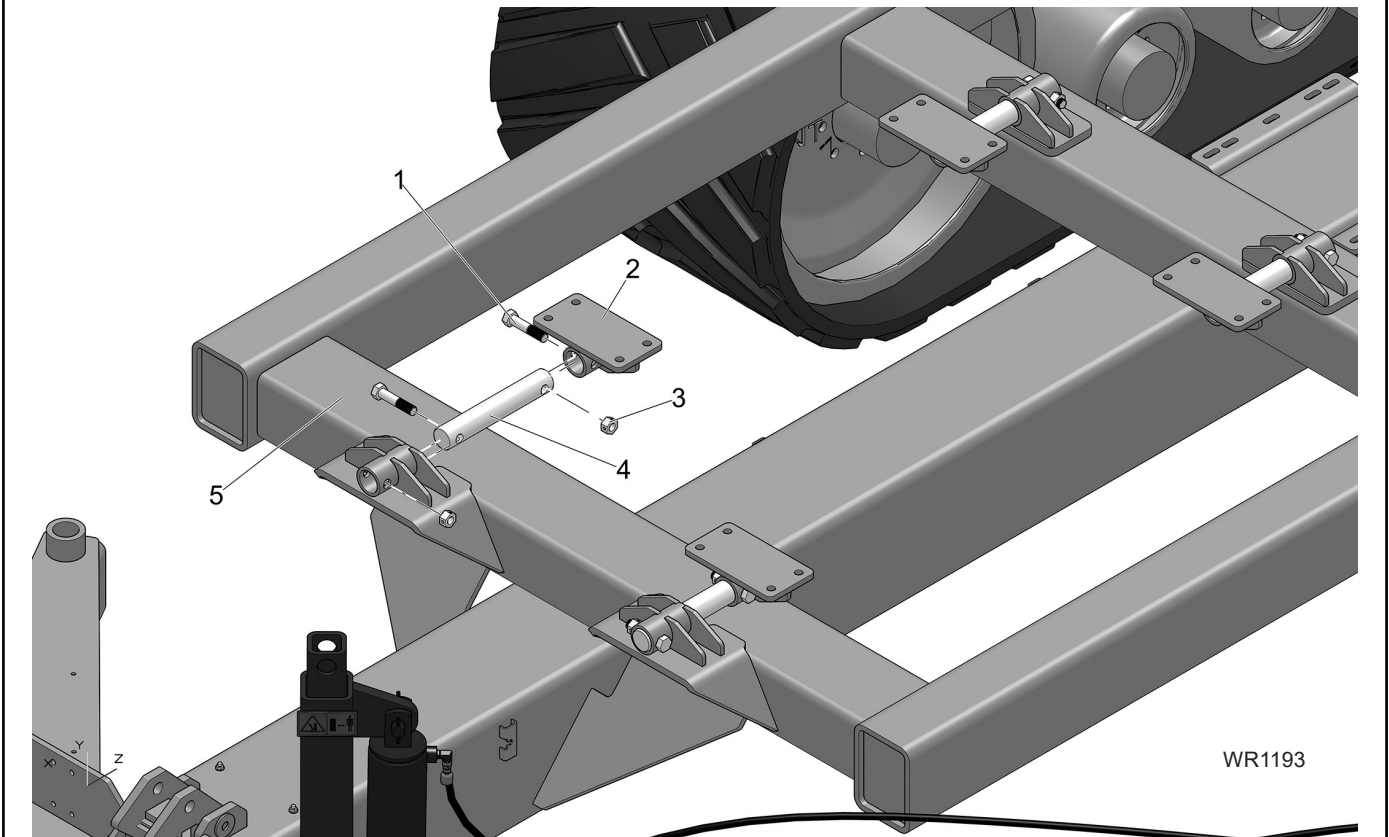
REF.	FN	Part Number	Series	Qty.	Description
1		P89009		2	BOLT, Carriage, 3/8"-16NC x 1" (88467) 5Z
2		4000335719		1	MOUNT, Sheet, Manual Holder
3		P89056		4	NUT, Nylock, 1/4"-20NC 2ZP
4		PA64635		1	CASE, Manual Storage
5		P88261		4	WASHER, Flat, 1/4" (5/16" x 3/4"ACT) 2ZP
6		P88993		4	BOLT, Hex, 1/4"-20NC x 3/4" 5ZP
7		997861		1	DECAL, Read Manual
8		P88103		2	NUT, Hex, 3/8"-16NC 5ZP
9		P88362		2	WASHER, Helical, 3/8ID ZP
10		P88282		2	WASHER, Flat, 3/8" (7/16" x 1"ACT) 2ZP
11		300001722		1	MAIN FRAME, 60'

# FRAME

## Front & Rear Cradle Mounts With Blank Load Shaft



WR1221



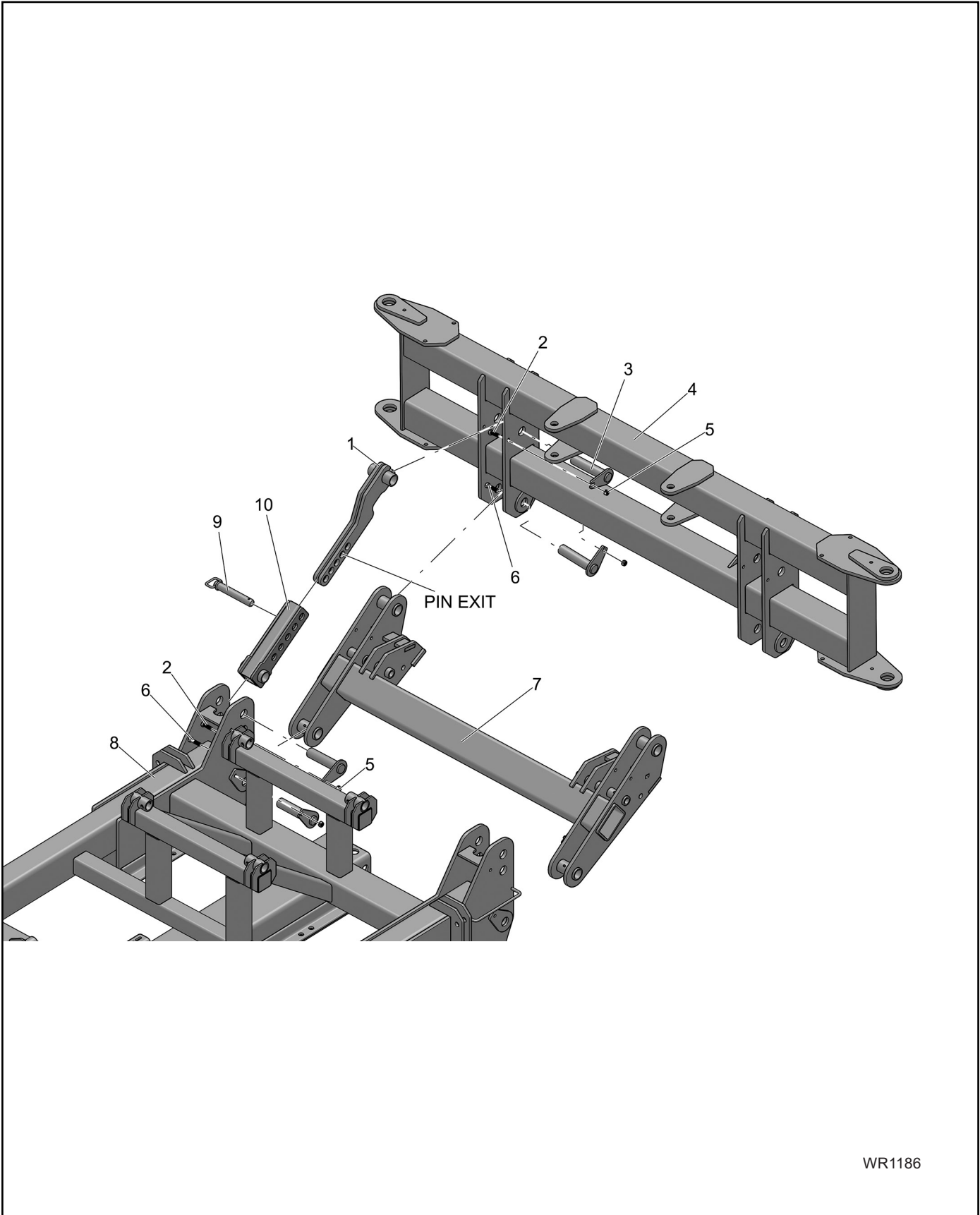
WR1193

## Front &amp; Rear Cradle Mounts With Blank Load Shaft

REF.	FN	Part Number	Series	Qty.	Description
1		P88111		2	BOLT, Hex, 3/4"-10NC x 3-1/2" 5ZP
2		30001551		1	PLATE, Mounting, Load Cell
3		P88356		2	NUT, Lock, 2 POS 3/4"-10NC 5YZP
4		P248033		1	SHAFT, Blank Load Cell, 1-7/8" DIA x 11-1/4"
5		30001722		1	MAIN FRAME, 60'

# FRAME

## Main Frame & Center Section



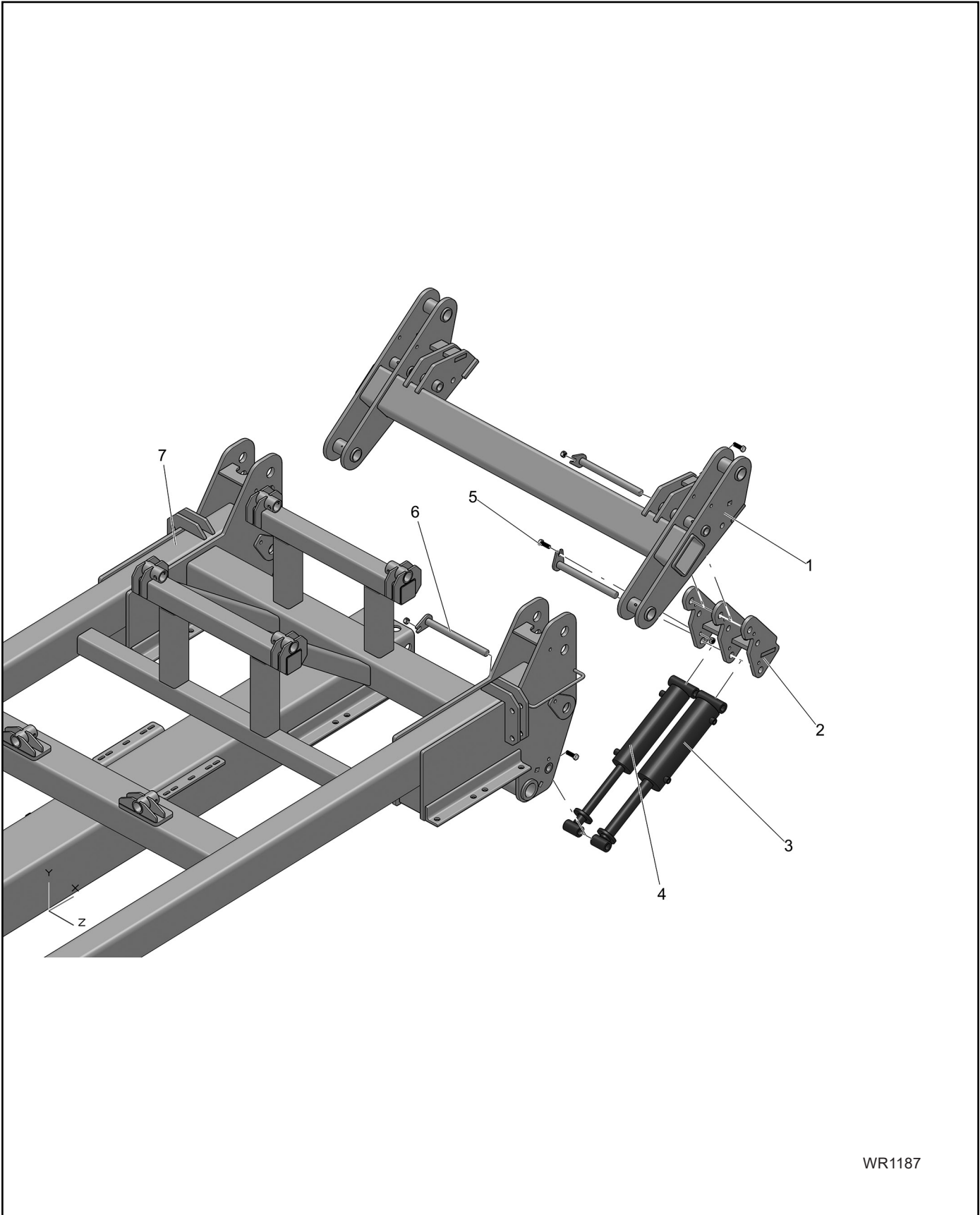
WR1186

## Main Frame &amp; Center Section

REF.	FN	Part Number	Series	Qty.	Description
1		4000360905		2	ARM, Upper Link, Inner
2		P88294		4	BOLT, Hex, 5/8"-11 x 2" 5ZP
3		P241182		8	PIN, 2" DIA x 8-3/4"+
4		4000360546		1	FRAME, Center Lift
5		P88369		8	NUT, Lock, 2 POS 5/8"-11NC 5YZP
6		P88409		4	BOLT, Hex, 5/8"-11 x 2-1/2" 5ZP
7		4000360885		1	ARM, Lower Lift
8		30001722		1	MAIN FRAME, 60'
9		P245297		2	PIN, 3pt, 1-1/2" DIA
10		4000360726		2	ARM, Upper Link, Outer

# FRAME

## Main Frame & Center Section, Cylinder Orientation, 120 Axle



WR1187

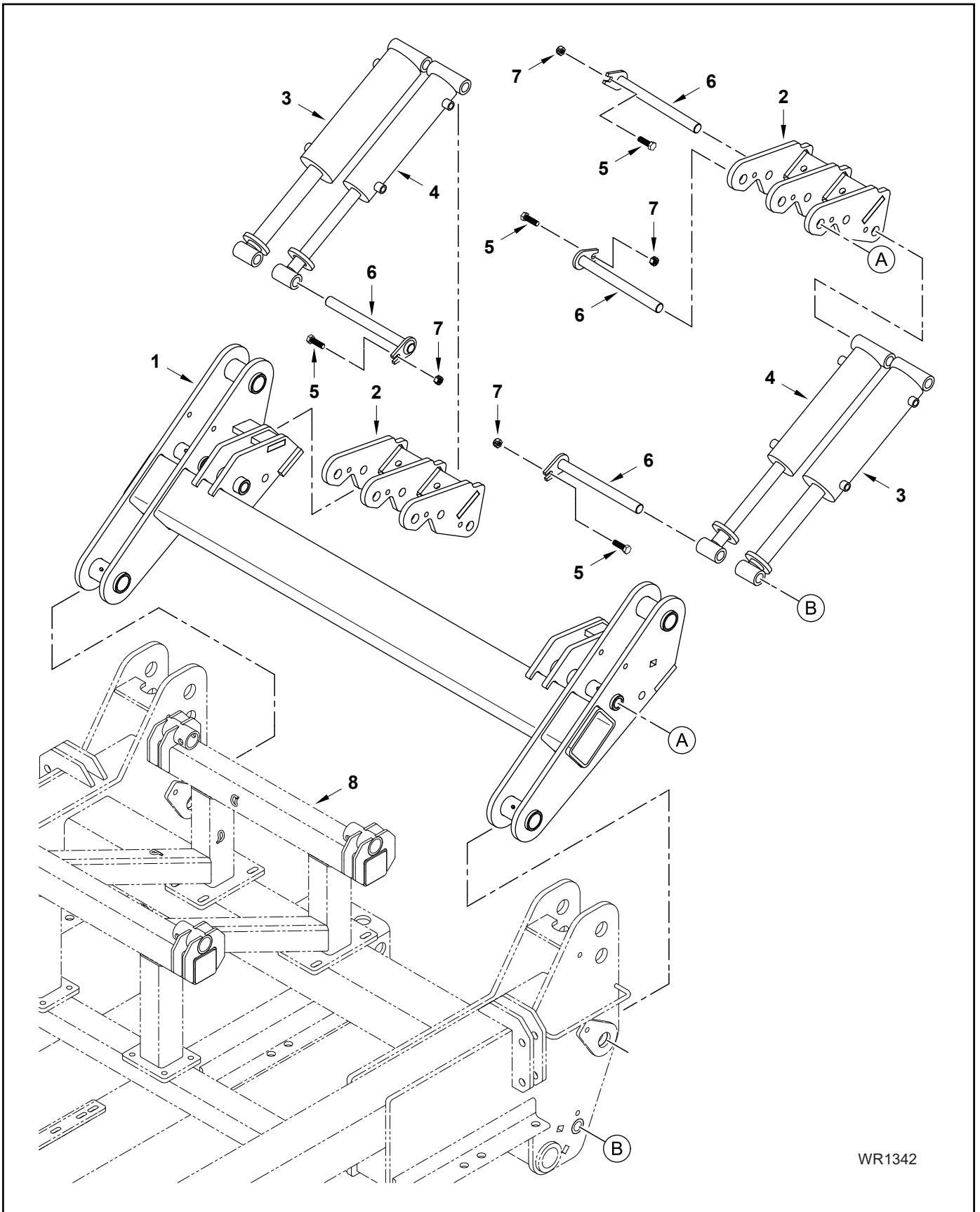


**Main Frame & Center Section, Cylinder Orientation, 120 Axle**

REF.	FN	Part Number	Series	Qty.	Description
1		4000360885		1	ARM, Lower Lift
2		4000360904		2	LINK, Cylinder, Dual
3		P241338		2	CYLINDER, Hydraulic, 4-1/2" x 12" SEQ
		P242254		2	KIT, Seal, 4-1/2" x 12" SEQ CYL CTD
4		P243810		2	CYLINDER, Hydraulic, Cylinder Port Rotated, 3-1/2" x 12" SEQ
		P242256		2	KIT, Seal, 3-1/2" x 12" SEQ CYL CTD
5		P88294		6	BOLT, Hex, 5/8"-11 x 2" 5ZP
6		P243803		6	PIN, Hinge, 1-1/4" DIA x 14-1/2"
7		30001722		1	MAIN FRAME, 60'

# FRAME

## Main Frame & Center Section, Cylinder Orientation



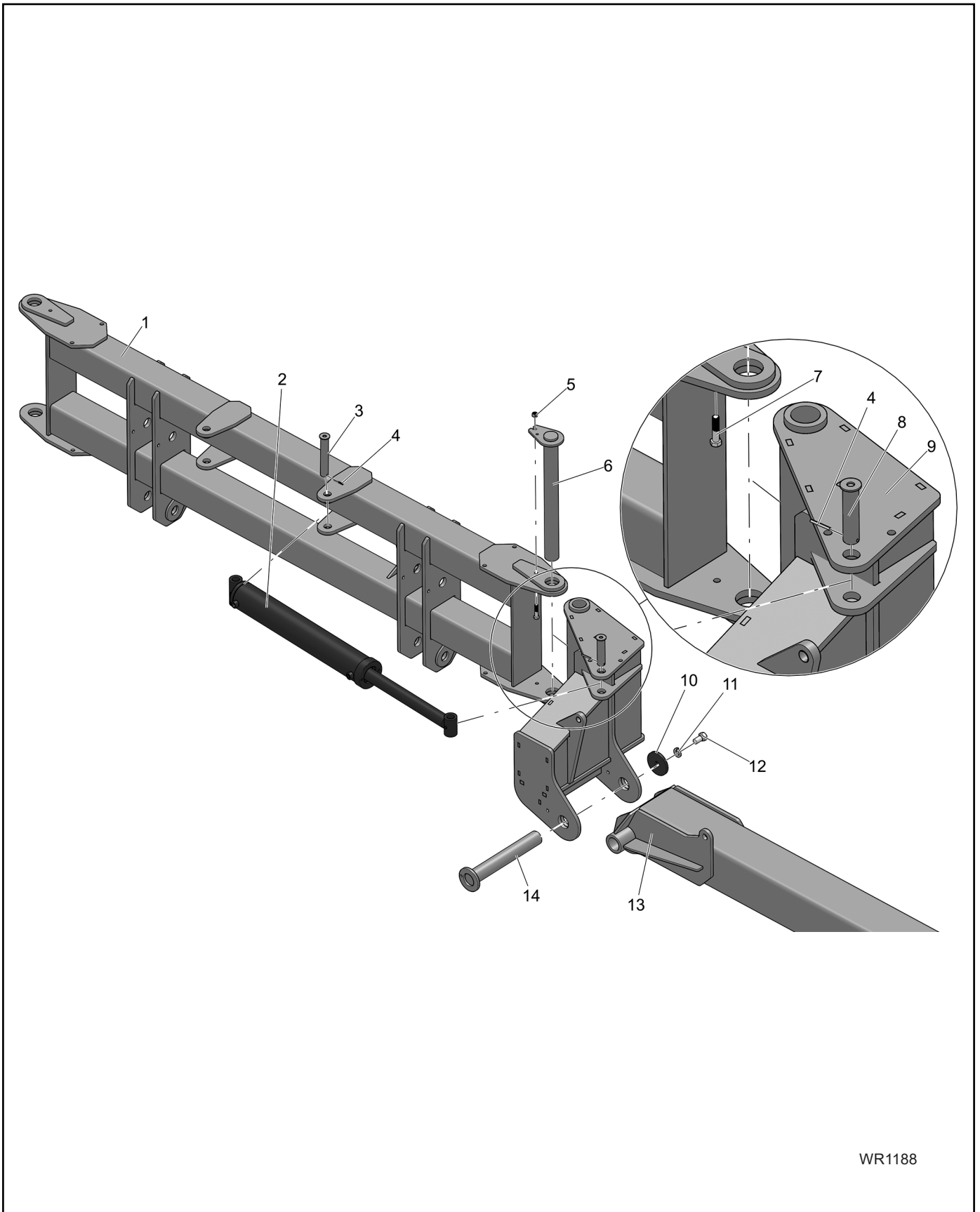
WR1342

**Main Frame & Center Section, Cylinder Orientation**

REF.	FN	Part Number	Series	Qty.	Description
1		4000360885		1	ARM, Lower Lift
2		4000360904		2	LINK, Cylinder, Dual
3		P241338		2	CYLINDER, Hydraulic, 4-1/2" x 12" SEQ
		P242254		2	KIT, Seal, 4-1/2" x 12" SEQ CYL CTD
4		P243810		2	CYLINDER, Hydraulic, Cylinder Port Rotated, 3-1/2" x 12" SEQ
		P242256		2	KIT, Seal, 3-1/2" x 12" SEQ CYL CTD
5		P88294		6	BOLT, Hex, 5/8"-11 x 2" 5ZP
6		P243803		6	PIN, Hinge, 1-1/4" DIA x 14-1/2"
7		88369		2	NUT, Lock, 5/8"-11NC, Gr 5
8		30001719		1	SEED TANK BASE, Weldment, Sub-Frame

# FRAME

## Center Lift Frame Assembly



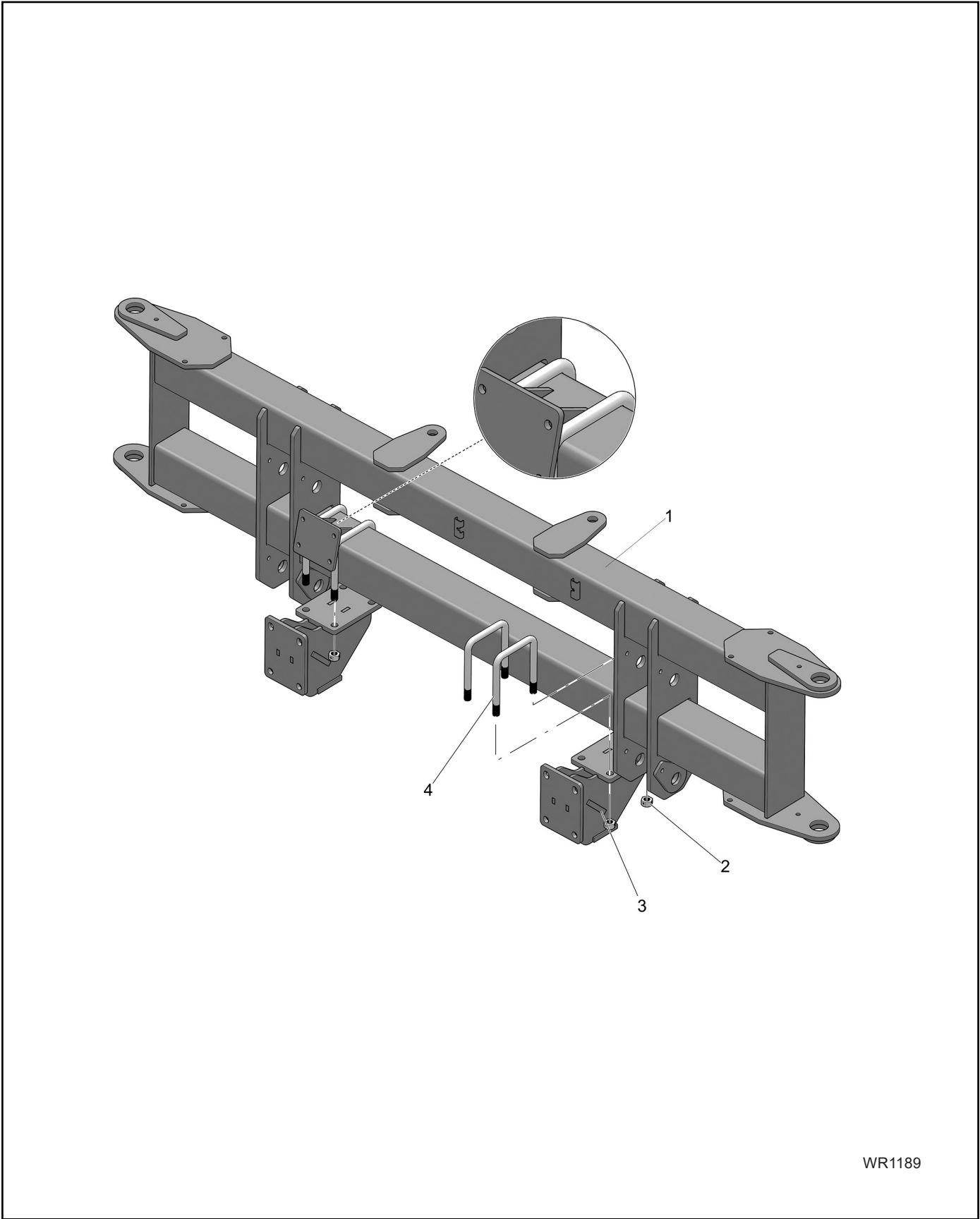
WR1188

## Center Lift Frame Assembly

REF.	FN	Part Number	Series	Qty.	Description
1		4000360546		1	FRAME, Center Lift
2		P353240		2	CYLINDER, Hydraulic, 5" x 30" SAE
		P354161		2	KIT, Seal, 5 x 30 CYL Prince
3		P241323		2	PIN, 1-1/2" DIA x 9-3/16"
4		P42484		4	PIN, Roll, 1/4" x 2-1/4" ZP
5		P88369		8	NUT, Lock, 2 POS 5/8"-11NC 5YZP
6		4000360898		2	PIN, 2-3/4" DIA x 28-1/4"
7		P88949		2	BOLT, Hex, 5/8"-11NC x 2-3/4" 8YZ
8		P241186		2	PIN, 1-1/2" DIA x 6-1/4"
9		4000360891		1	HINGE, Main Wing Left
		4000360892		1	HINGE, Main Wing Right, Not Shown
10		P357873		2	WASHER, Horizontal Wing Pin, Painted
11		P88617		2	WASHER, Helical, 1.00" ID
12		P88400		2	BOLT, Hex, 1"-8NC x 2" 5ZP
13		4000360893		1	WING, Left, 24R30 60'
		4000360894		1	WING, Right, 24R30 60', Not Shown
14		P360494		2	PIN, Wing Hinge, 2-3/4" DIA x 19"

# FRAME

## Center Section Toolbar Mount



WR1189

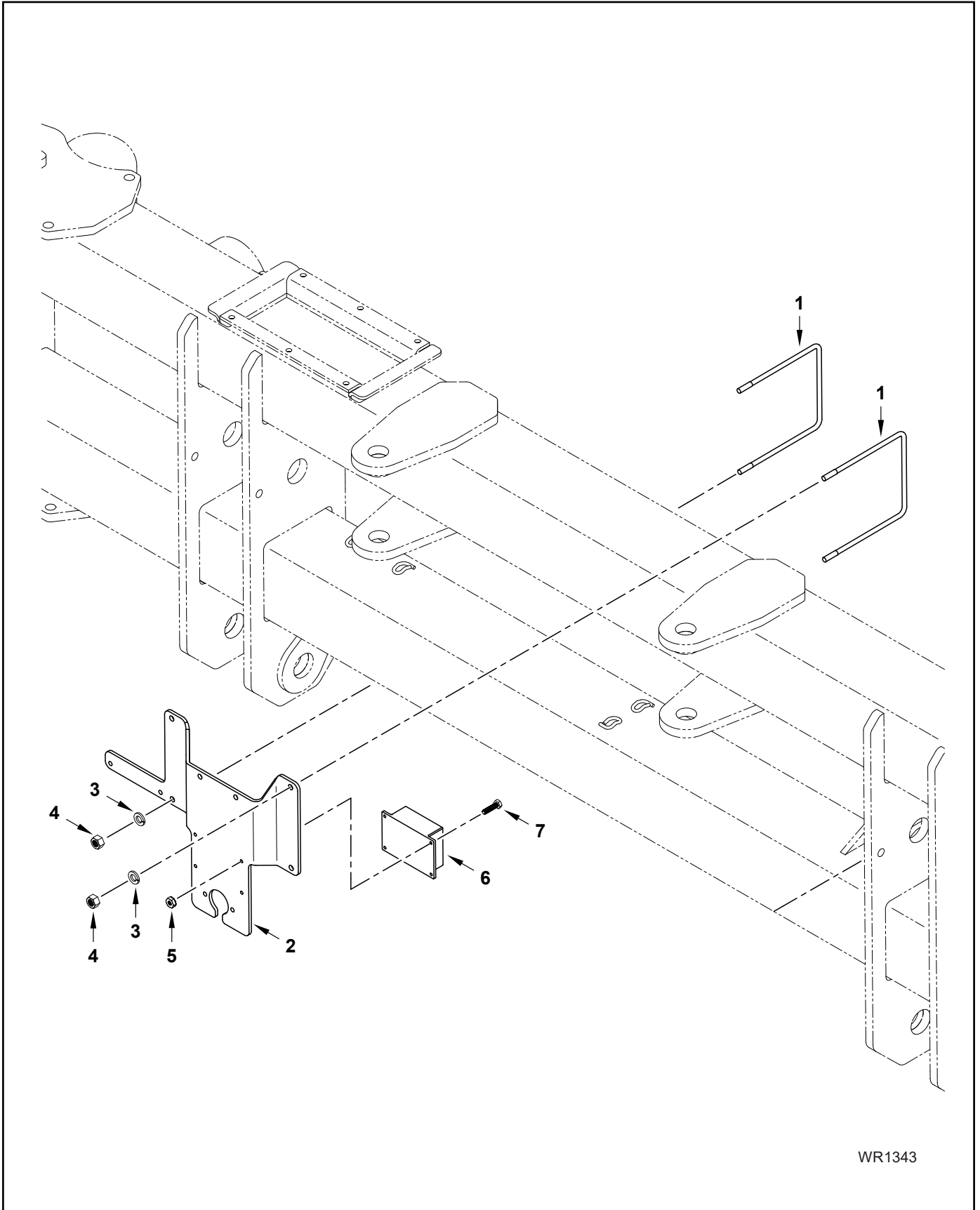
---

**Center Section Toolbar Mount**

REF.	FN	Part Number	Series	Qty.	Description
1		4000360546		1	FRAME, Center Lift
2		P88348		8	NUT, Lock, 2 POS 1"-8NC 2ZP
3		4000360832		2	BRACKET, Mounting, Center TB SEC Single Bolt Mount CG
4		P241344		4	BOLT, U-Type, 1"-8NC x 7" x 9-1/2" Z

# FRAME

## Module Mount, Flasher

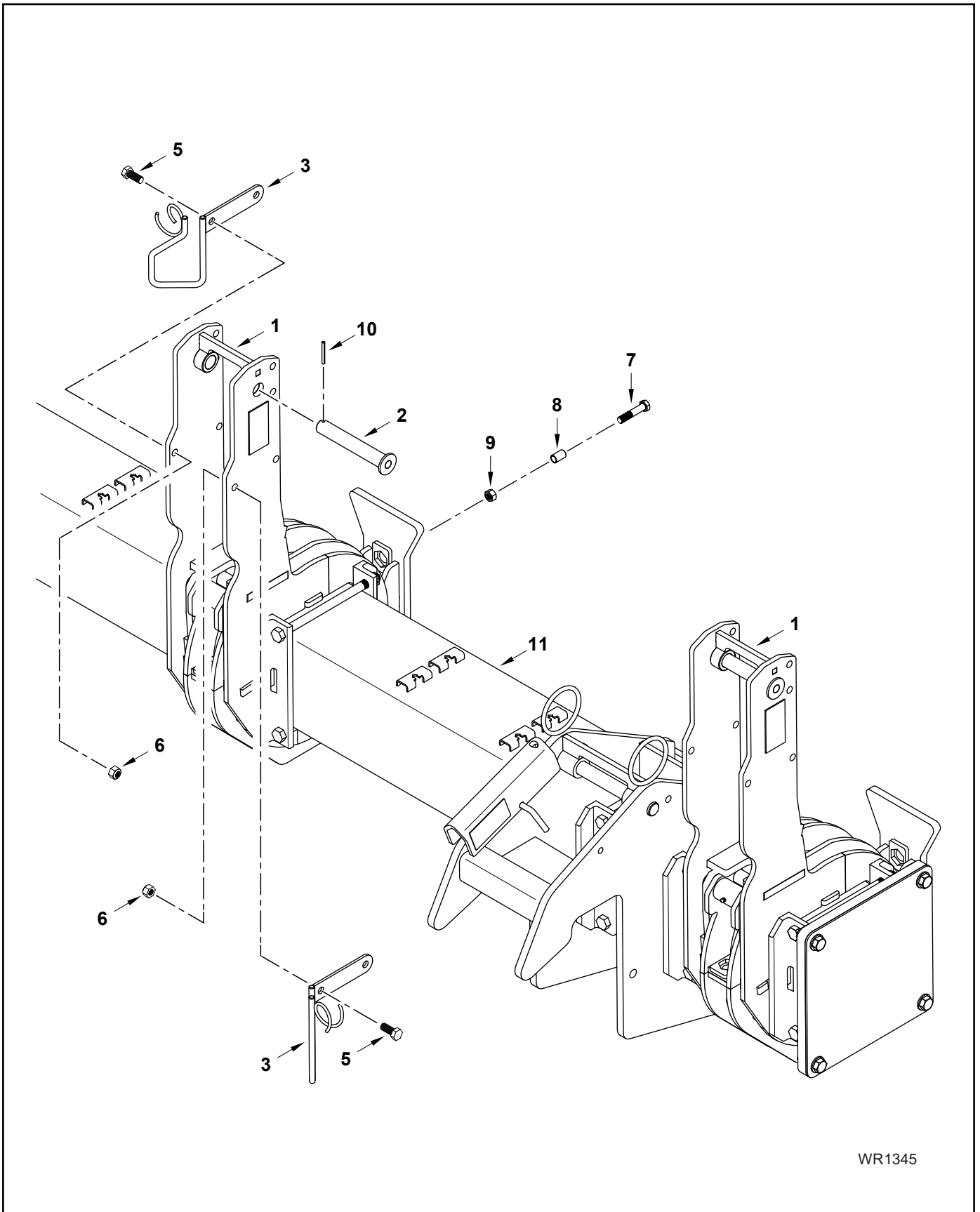




REF.	FN	Part Number	Series	Qty.	Description
1		P89277		2	BOLT, U-Type, 3/8"-16NC x 7" x 8-1/4" ZP
2		4000360747		1	PLATE, Valve Block, Tilt & Fold
3		P88362		4	WASHER, Helical, 3/8"ID ZP
4		P88103		4	NUT, Hex, 3/8"-16 5ZP
5		P1026591		4	NUT, Lock, 10"-24NC ZP
6		PA65341		1	INTERFACE, Module
7		P89339		4	BOLT, Hex, 3/16"-24NC x 3/4" ZP+

# FRAME

## Rotating Bearing Assembly / Hydraulic Hose Mounting



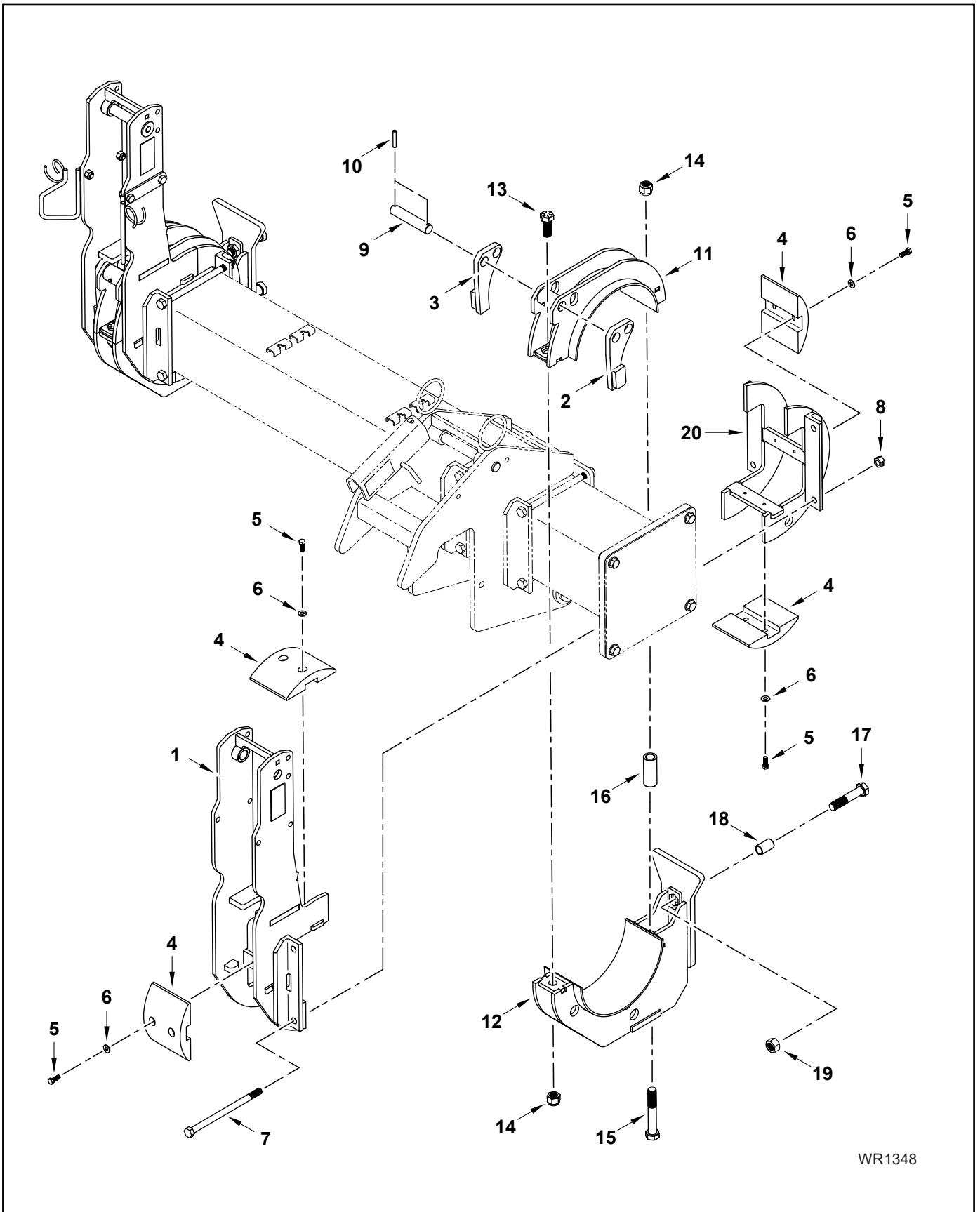
WR1345

## Rotating Bearing Assembly / Hydraulic Hose Mounting

REF.	FN	Part Number	Series	Qty.	Description
1		30006853		6	BEARING ASSEMBLY, Rotating
2		241184		6	PIN, Mounting
3		4000360886		8	BRACKET, Hyd. Hose Mount, LH
4		4000350748		8	BRACKET, Hydraulic Hose Mount, RH, Not Shown
5		88577		16	BOLT, Hex, 5/8" x 1-1/2"
6		88845		16	NUT, Lock, 5/8"-11NC, Gr. 5Z
7		89405		12	BOLT, Hex, 1"-14NF x 5", Gr 8
8		30006296		12	SPACER
9		89044		12	NUT, Hex, 1"-14NF
10		42484		12	PIN, Roll, 1/4" x 2-1/4"
11		4000360893		1	WING, Left, 24R30 60'
12		4000360894		1	WING, Right, 24R30 60', Not Shown

# FRAME

## Bearing Assembly w/Tilt Cylinder



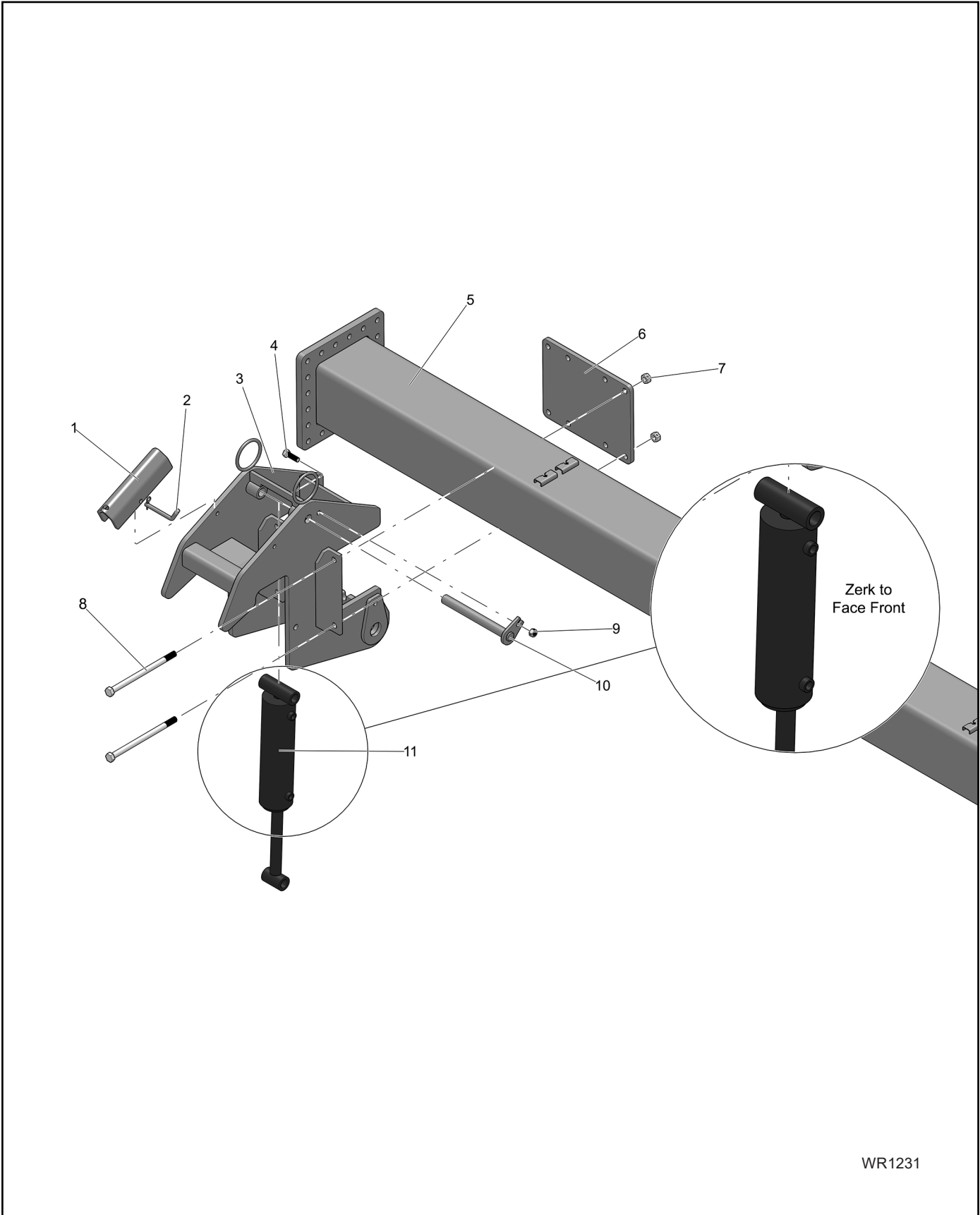
WR1348

## Bearing Assembly w/Tilt Cylinder

REF.	FN	Part Number	Series	Qty.	Description
		30006853		6	BEARING ASSY. w/Tilt Cylinder, Inc. 1-20
1		30006303		1	BRACKET, Mounting, 10" Toolbar Bearing
2		4000360731		1	LINK, Lock, LH
3		4000360730		1	LINK, Lock, RH
4		30012599		4	BEARING, Plastic
5		89034		8	BOLT, Hex, 3/8" x 1"
6		88739		8	WASHER, Flat, 3/8"
7		P88871		4	BOLT, Hex, 3/4"-10NC x 12", Gr. 5
8		P88356		4	NUT, Lock, 3/4"-10NC Gr. 5
9		68030		12	PIN, Mounting, 1-1/4" x 6.13
10		P88415		4	PIN, Roll, 1/4" dia x 1-1/2"
11		30006309		6	BEARING, Upper, Weld
12		30006312		6	BEARING, Bottom, Weld
13		88394		6	BOLT, Hex, 1"-14NF x 2-1/2"
14		89048		12	NUT, Lock, 1"-14NF, Gr 8
15		30006852		6	BOLT, Hex, 1"-14NF x 6-1/2", Gr 8
16		30006851		6	BUSHING
17		89405		12	BOLT, Hex, 1"-14NF x 5", Gr 8
18		30006296		12	SPACER, Secondary TB
19		89044		12	NUT, 1"-14, Gr 8
20		30006306		6	BEARING, Rear, Weld

# FRAME

## Wheel Mount Outer Wing, LH & RH



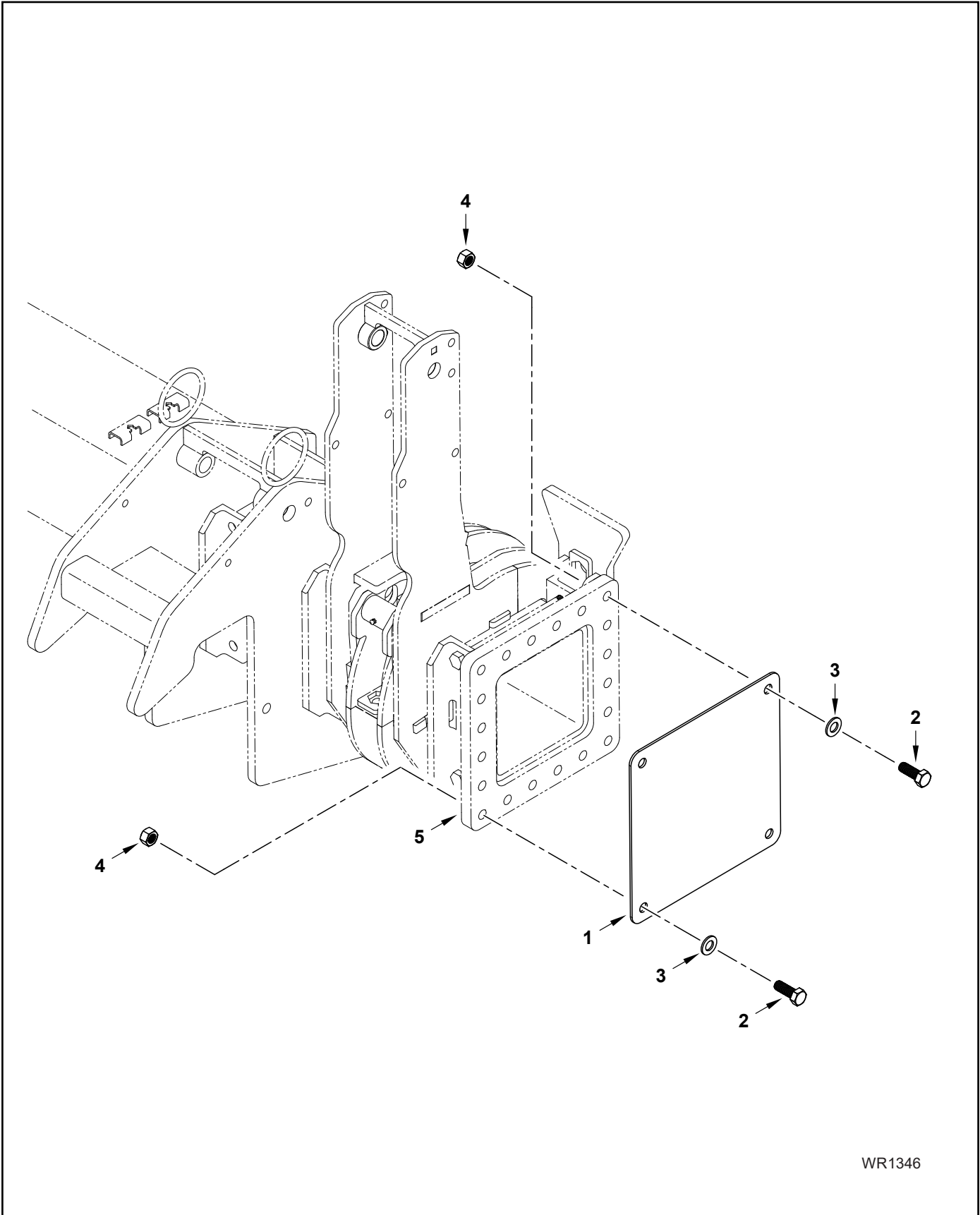
WR1231

## Wheel Mount Outer Wing, LH &amp; RH

REF.	FN	Part Number	Series	Qty.	Description
1		4000360902		1	LOCK, Channel, 12"
2		P234811		1	PIN, Bent w/Hairpin, 1/2" x 4"
3		4000360890		1	MOUNT, Wing Wheel, 10SQ
4		P88294		2	BOLT, Hex, 5/8"-11NC x 2" 5ZP
5		4000360893		1	WING, Left, 24R30 60'
		4000360894		1	WING, Right, 24R30 60', Not Shown
6		4000360735		1	PLATE, Back Wing Wheel Mount, 10SQ
7		P88356		8	NUT, Lock, 2 POS 3/4"-10NC 5YZP
8		P88871		8	BOLT, Hex, 3/4"-10NC x 12" 5Z
9		P88369		5	NUT, Lock, 2 POS 5/8"-11NC 5YZP
10		P241325		1	PIN, 1-1/4" DIA x 11-3/4"
11		P241339		1	CYLINDER, Hydraulic, 4" x 12" SEQ
		P242255		1	KIT, Seal, 4" x 12" SEQ CYL CTD

# FRAME

## Wing End Cap, LH & RH



WR1346

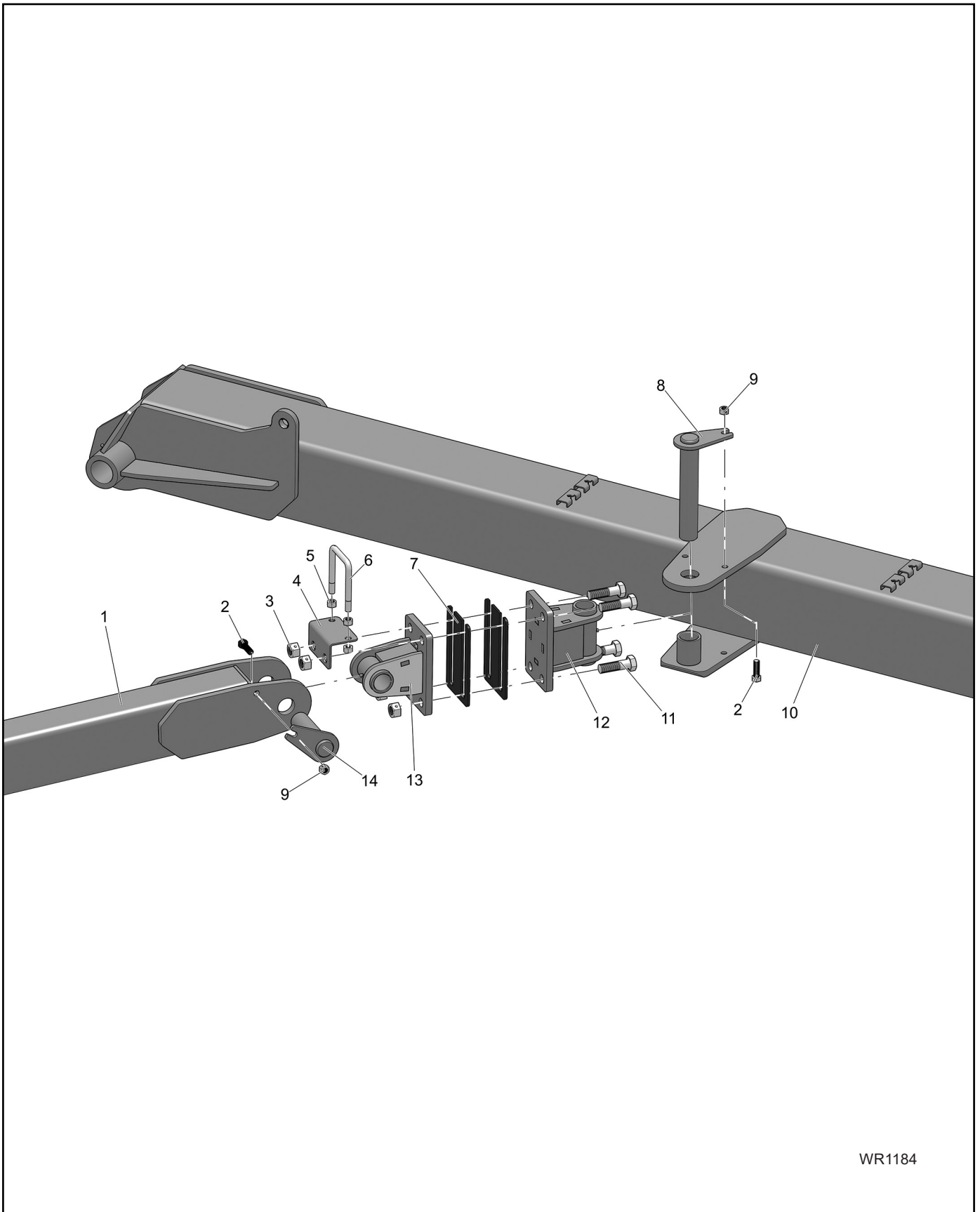


## Wing End Cap, LH &amp; RH

REF.	FN	Part Number	Series	Qty.	Description
1		P4020360896		1	CAP, End Tube, 10SQ
2		88604		4	BOLT, Hex, 3/4"-10NC x 2", Gr 5
3		88548		4	WASHER, 3/4" SAE
4		P88356		4	NUT, Lock, 2 POS 3/4"-10NC 5YZP
5		4000360893		1	WING, Left, 24R30 60'
6		4000360894		1	WING, Right, 24R30 60', Not Shown

# FRAME

## Brace Arm Hinge, LH & RH



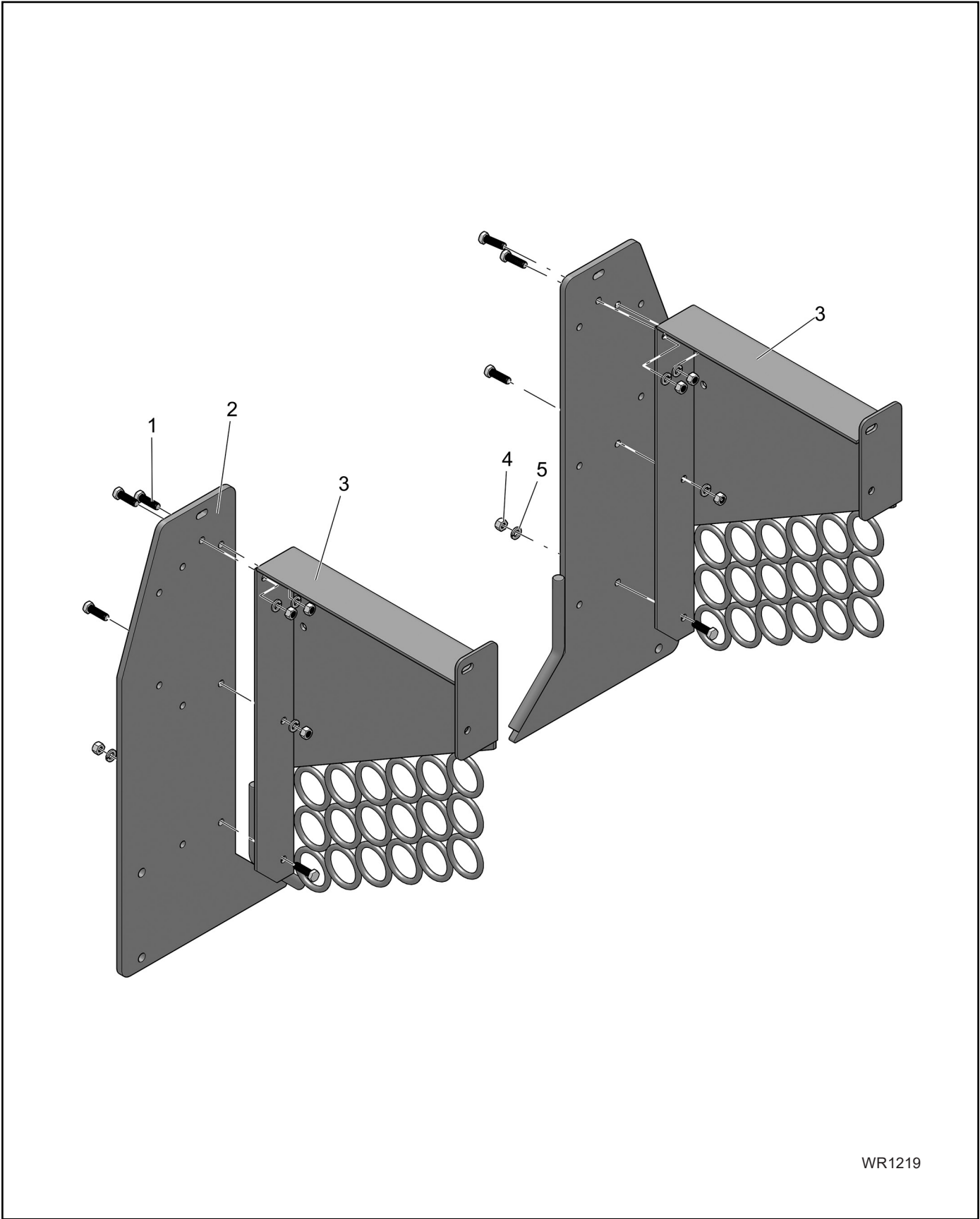
WR1184

## Brace Arm Hinge, LH &amp; RH

REF.	FN	Part Number	Series	Qty.	Description
1		4000360895		1	BRACE, Wing, 60' 10SQ
2		P88294		2	BOLT, Hex, 5/8"-11 x 2" 5ZP
3		P88348		4	NUT, Lock, 2 POS 1"-8NC 2ZP
4		30006892		1	PLATE, Formed, Hose Bracket
5		P88126		4	NUT, Hex, 5/8"-11 5ZP
6		P45633		1	BOLT, U-Type, 5/8"-11NC x 4" x 5-1/2" ZP
7		4000360899		2	PLATE, Spacer, Wing Brace Hinge
8		P247573		1	PIN, 2" DIA x 11-3/4"
9		P88369		2	NUT, Lock, 2 POS 5/8"-11NC ZYZP
10		4000360893		1	WING, Left, 24R30 60'
		4000360894		1	WING, Right, 24R30 60', Not Shown
11		P88447		4	BOLT, Hex, 1"-8 x 3-1/2" 5ZP
12		4000360900		1	HINGE, Rear Wing Brace
13		4000360901		1	HINGE, Front Wing Brace
14		P241327		1	PIN, 2" DIA x 6-3/4"

# FRAME

## Platform Support

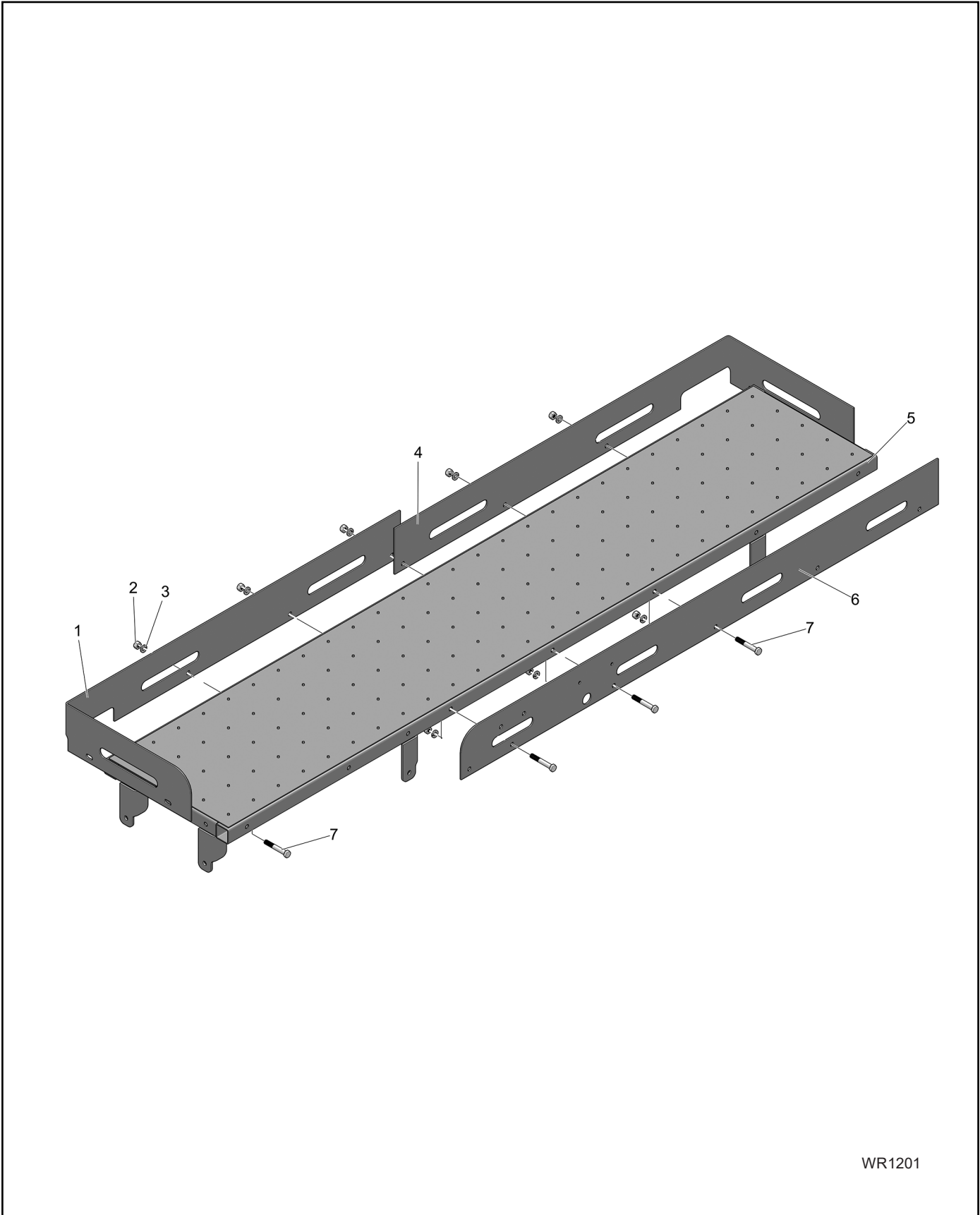


WR1219

REF.	FN	Part Number	Series	Qty.	Description
1		P88555		8	BOLT, Hex, 3/8"-16NC x 1-1/4" 5ZP
2		30001620		2	PLATE, Platform Support Hose Guide
3		30001594		2	ANGLE, Formed Weld
4		P88103		8	NUT, Hex, 3/8"-16NC 5ZP
5		P88362		8	WASHER, Helical, 3/8" ID ZP

# FRAME

## Platform Assembly

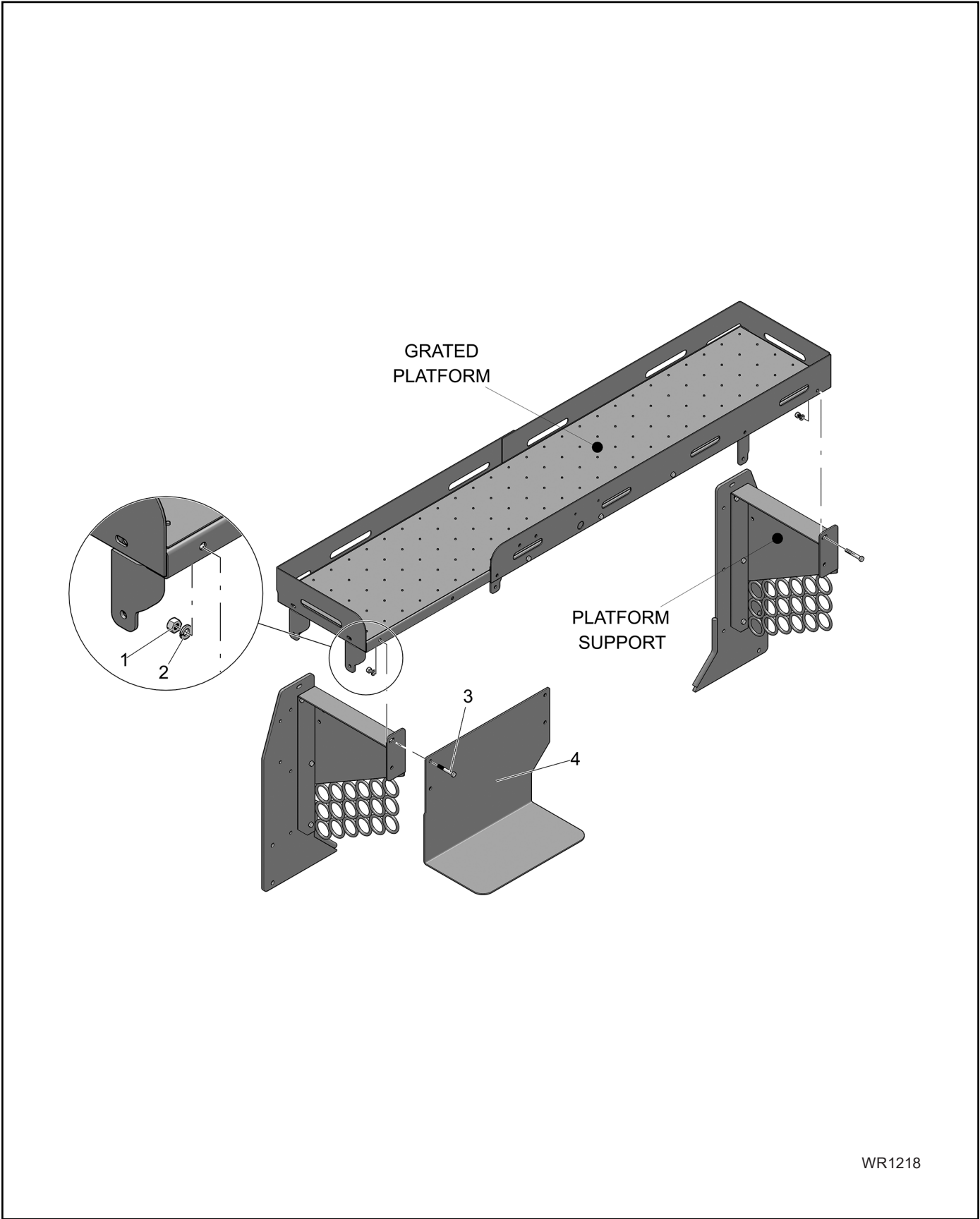


WR1201

REF.	FN	Part Number	Series	Qty.	Description
1		30001602		1	PLATE, Foot Guard Front LH
2		P88103		8	NUT, Hex, 3/8"-16NC 5ZP
3		P88362		8	WASHER, Helical, 3/8" ID ZP
4		30001600		1	PLATE, Foot Guard Front RH
5		30001596		1	WELD, Platform
6		30001598		1	PLATE, Foot Guard Rear
7		P89012		8	BOLT, Hex, 3/8"-16NC x 2-1/2" 5Z

# FRAME

## Platform Assembly, Support & Safety Step Mounting



WR1218



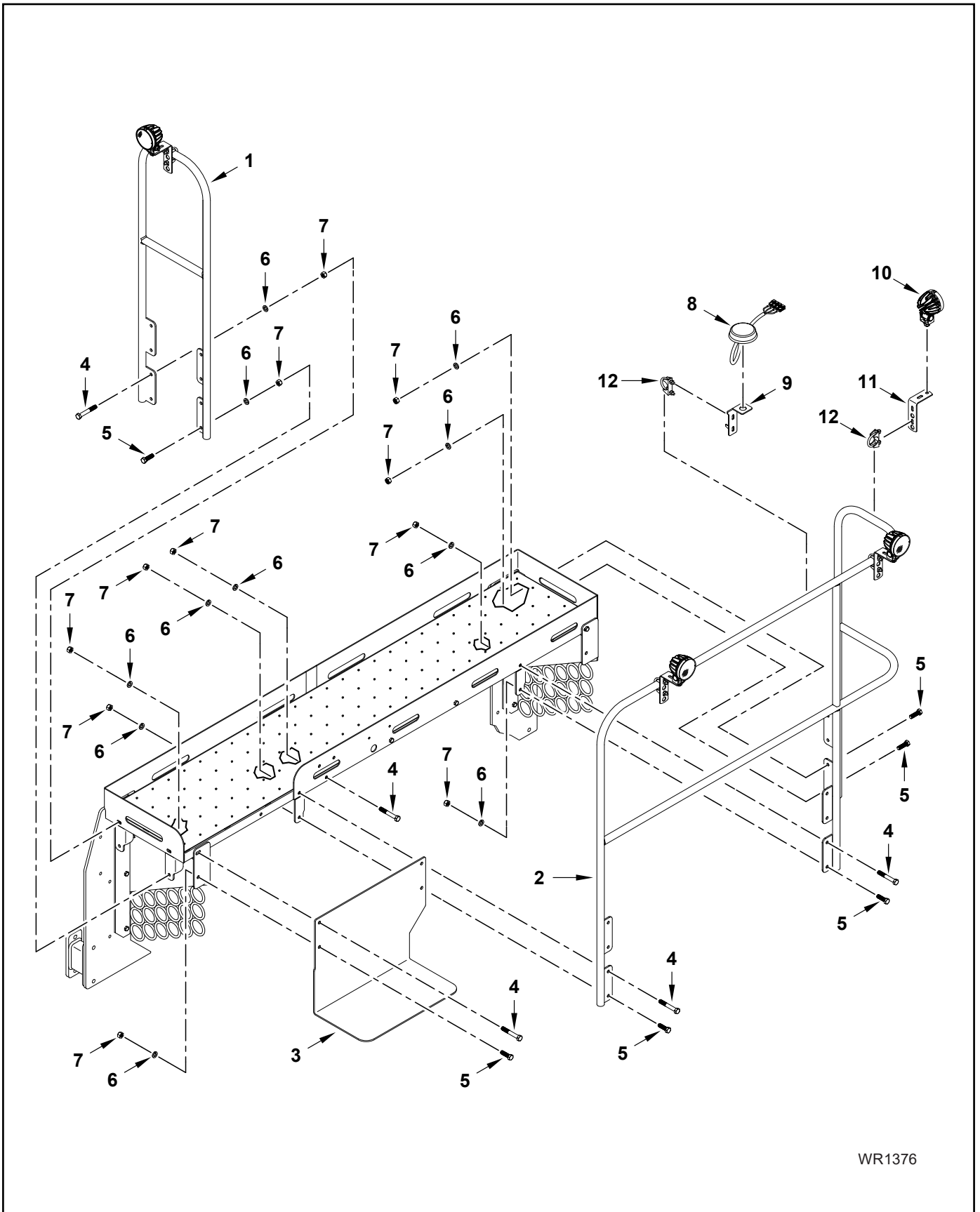
---

**Platform Assembly, Support & Safety Step Mounting**

REF.	FN	Part Number	Series	Qty.	Description
1		P88103		2	NUT, Hex, 3/8"-16NC 5ZP
2		P88362		2	WASHER, Helical, 3/8" ID ZP
3		P89012		2	BOLT, Hex, 3/8"-16NC x 2-1/2" 5Z
4		P30001616		1	PLATE, Formed, Safety Step

# FRAME

## Platform Assembly, Railing & Worklights



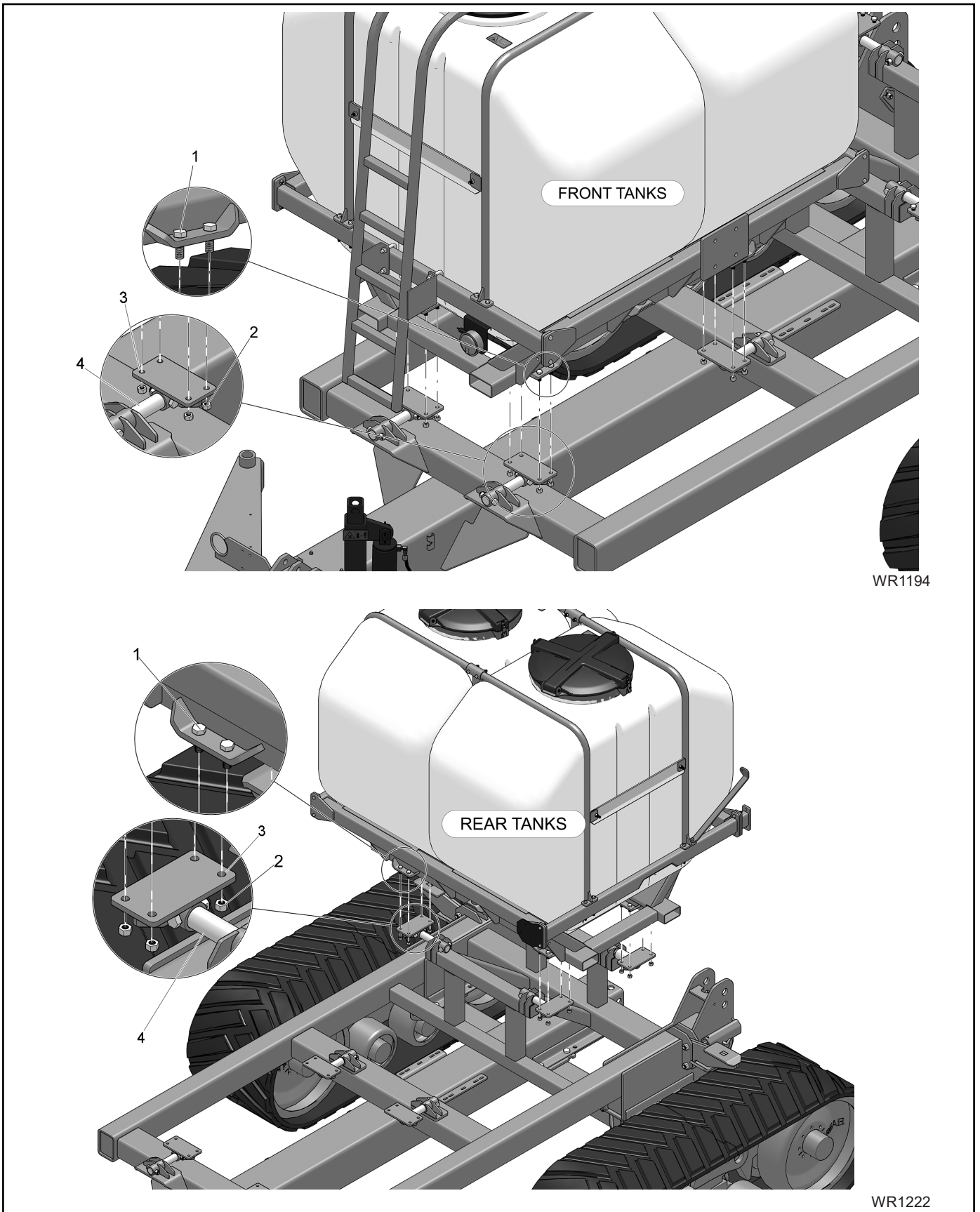
WR1376

## Platform Assembly, Railing &amp; Worklights

REF.	FN	Part Number	Series	Qty.	Description
1		30001604		1	HAND RAIL, End
2		30001606		1	HAND RAIL, Rear
3		30001616		1	STEP, Safety
4		89012		18	BOLT, Hex, 3/8"-16NC x 2-1/2", Gr 5
5		88555		5	BOLT, Hex, 3/8"-16NC x 1-1/4", Gr 5
6		88362		35	WASHER, 3/8"
7		88103		35	NUT, Hex, 3/8"-16, Gr 5
		30001837		1	KIT, TPK Antenna
8		30001884		1	BRACKET, Mounting, Antenna
9		360486		4	KIT, Work Light, Inc. 10-12
10		301294		1	LIGHT, Work
11		A33530		1	CLAMP, Muffler
12		A37499		1	BRACKET, Mounting

# FRAME

## Tank Mounting, Front & Rear Cradle

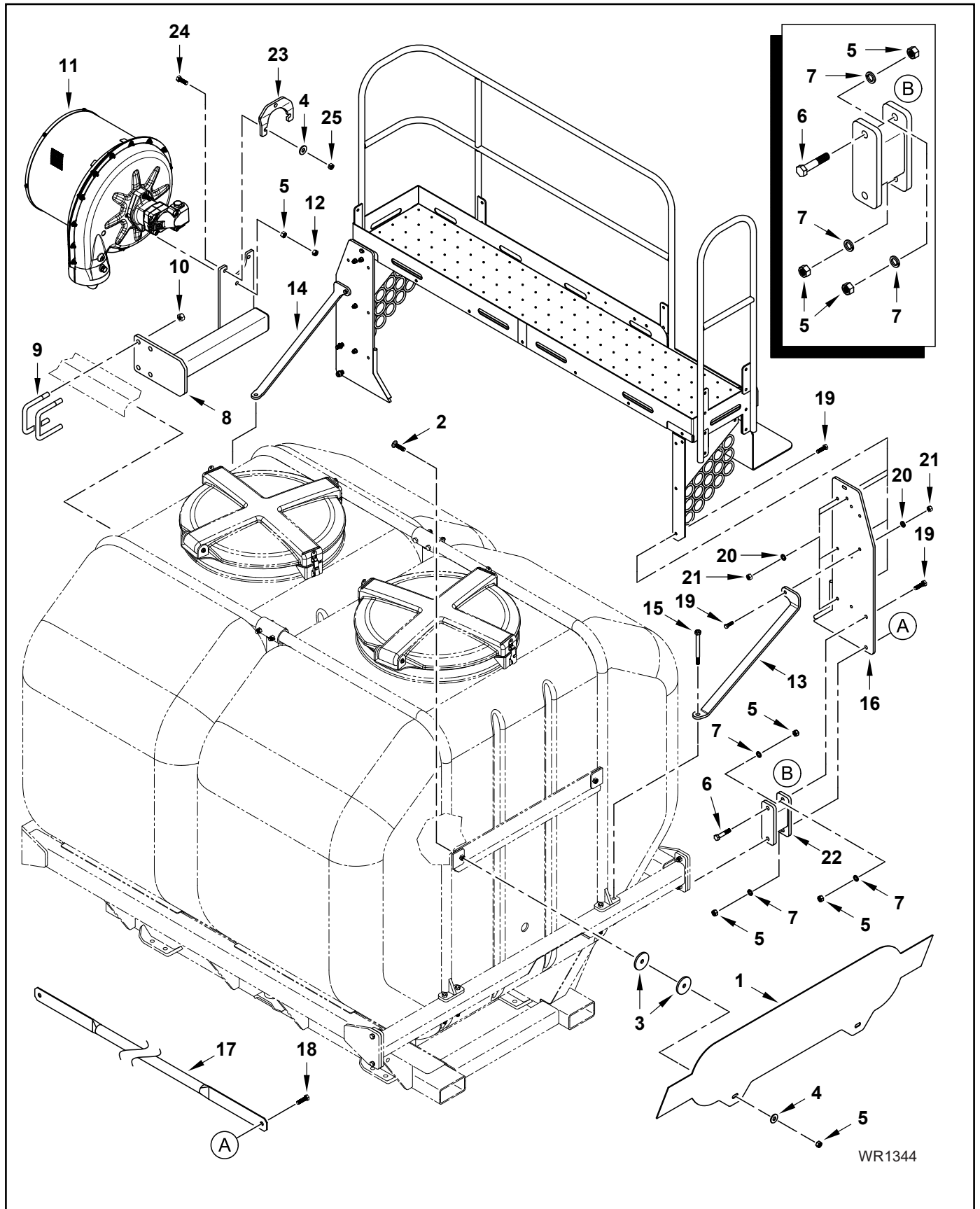


## Tank Mounting, Front &amp; Rear Cradle

REF.	FN	Part Number	Series	Qty.	Description
1		P88838		16	BOLT, Hex, 5/8"-11NC x 1-3/4" 5Z
2		P88126		16	NUT, Hex, 5/8"-11NC 5ZP
3		30001551		8	PLATE, Mounting, Load Cell
4		248033		8	SHAFT, Blank Load Cell, 1-7/8"

# FRAME

## CFS Fan Mount, Platform Support, Rear Tanks, & Decal Plate

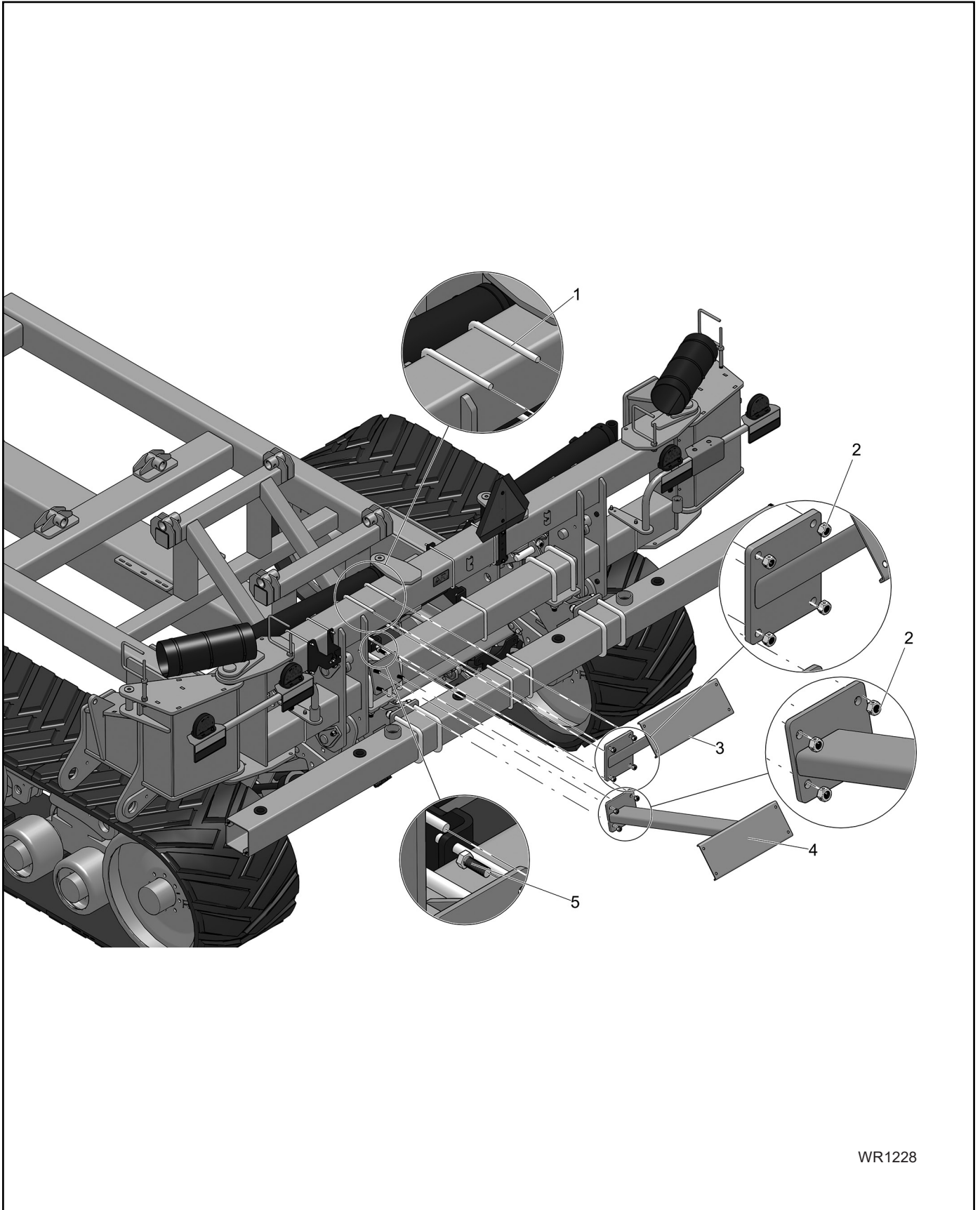


## CFS Fan Mount, Platform Support, Rear Tanks, &amp; Decal Plate

REF.	FN	Part Number	Series	Qty.	Description
1		30001859		2	PLATE, Tank Decal
2		88714		4	BOLT, Carriage, 1/2" x 2"
3		71145		8	WASHER, 1/4" x 9/16" x 2-1/4"
4		88347		6	WASHER, 1/2" (9/16" x 1-3/8" ACT) Gr. 2
5		88104		10	NUT, Hex, 1/2"-13NC
6		88410		4	BOLT, Hex, 1/2" x 2-1/2"
7		88303		8	WASHER, Lock, 1/2"
8		30001590		1	BRACKET, Mounting, CFS Fan
9		88453		2	BOLT, U-Type, 5/8"-11NC x 4" x 4-1/4"
10		88627		4	NUT, Nylock, 5/8"
11		4000361529		1	CFS FAN ASSEMBLY, See Page 4-8
12		88363		2	NUT, Lock, 2-Position
13		30001622		1	BRACKET, Support, LH
14		30001624		1	BRACKET, Support, RH
15		88574		2	BOLT, Hex, 1/2" x 5-1/2"
16		30001620		2	PLATE, Platform Support
17		30001608		1	CROSS TUBE, Hose Support
18		88517		2	BOLT, Hex, 1/2" x 1-3/4"
19		88555		17	BOLT, Hex, 3/8" x 1-1/4"
20		88362		35	WASHER, 3/8"
21		88103		35	NUT, 3/8"
22		3001592		2	STUB, Platform Mounting
23		30001588		1	PLATE, Fan Mounting, Top
24		88475		2	BOLT, Hex, 1/2"-13NC x 1-1/2", Gr 5
25		88363		2	NUT, Lock, 1/2"-13NC, Gr 2

# FRAME

## Staircase Mounts, Rear





## Staircase Mounts, Rear

REF.	FN	Part Number	Series	Qty.	Description
1		P89351		2	BOLT, U-Type, 5/8"-11NC x 7" x 8-1/2" Z
2		P88369		8	NUT, Lock, 2 POS 5/8"-11NC 5YZP
3		30006893		1	BRACE, Arm, Upper Staircase
4		30001612		1	BRACE, Arm, Lower Staircase
5		P88838		4	BOLT, Hex, 5/8"-11NC x 1-3/4" 5Z

FRAME

Staircase Assembly, Rear



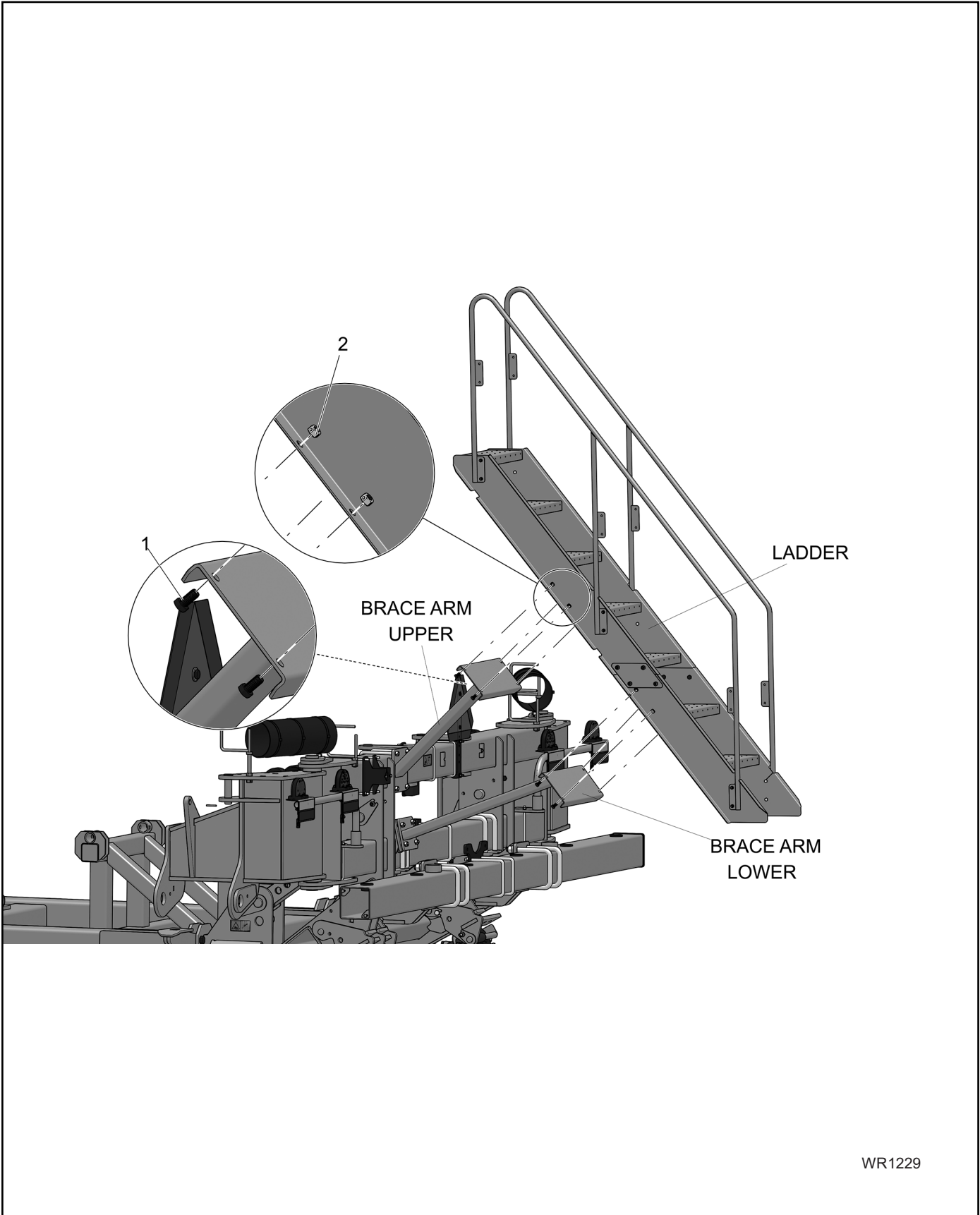
WR1225

## Staircase Assembly, Rear

REF.	FN	Part Number	Series	Qty.	Description
1		30001630		1	HAND RAIL, LH Staircase
2		30001626		1	STAIRCASE, Upper
3		30001632		1	HAND RAIL, RH Staircase
4		P89034		12	BOLT, Hex, 3/8"-16NC x 1" 5ZP
5		P88162		12	NUT, Lock, 2 POS 3/8"-16NC 2ZP
6		30001628		1	STAIRCASE, Lower
7		P89015		8	BOLT, Hex, 1/2"-13NC x 1" 5ZP
8		30001610		2	PLATE, Staircase Connection
9		P88363		8	NUT, Lock, 2 POS 1/2"-13NC 2ZP

# FRAME

## Staircase Mounting, Rear



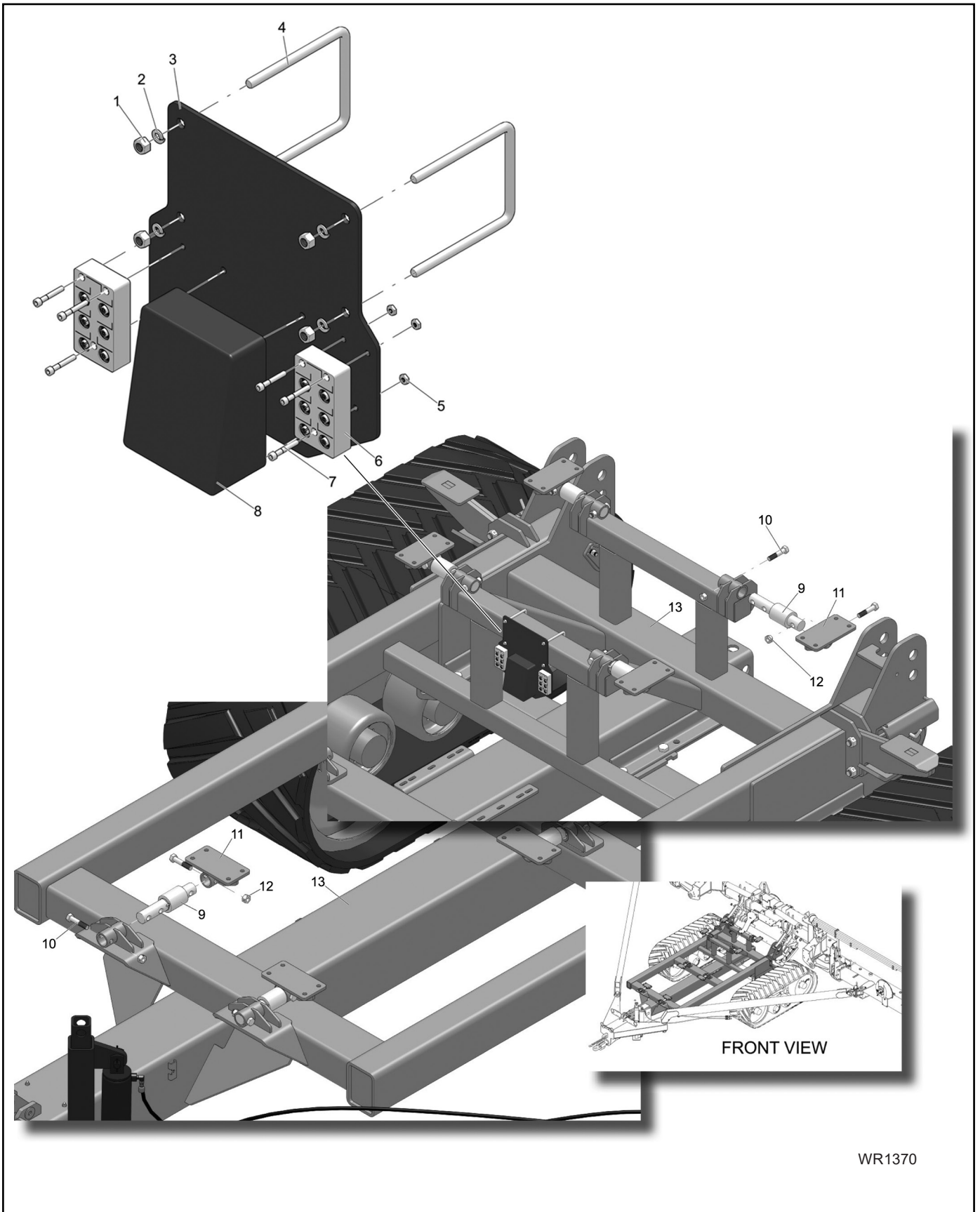
WR1229

## Staircase Mounting, Rear

REF.	FN	Part Number	Series	Qty.	Description
1		P89015		8	BOLT, Hex, 1/2"-13NC x 1" 5ZP
2		P88363		8	NUT, Lock, 2 POS 1/2"-13NC 2ZP

# FRAME

## Scale Link & J Box Mounting Plate

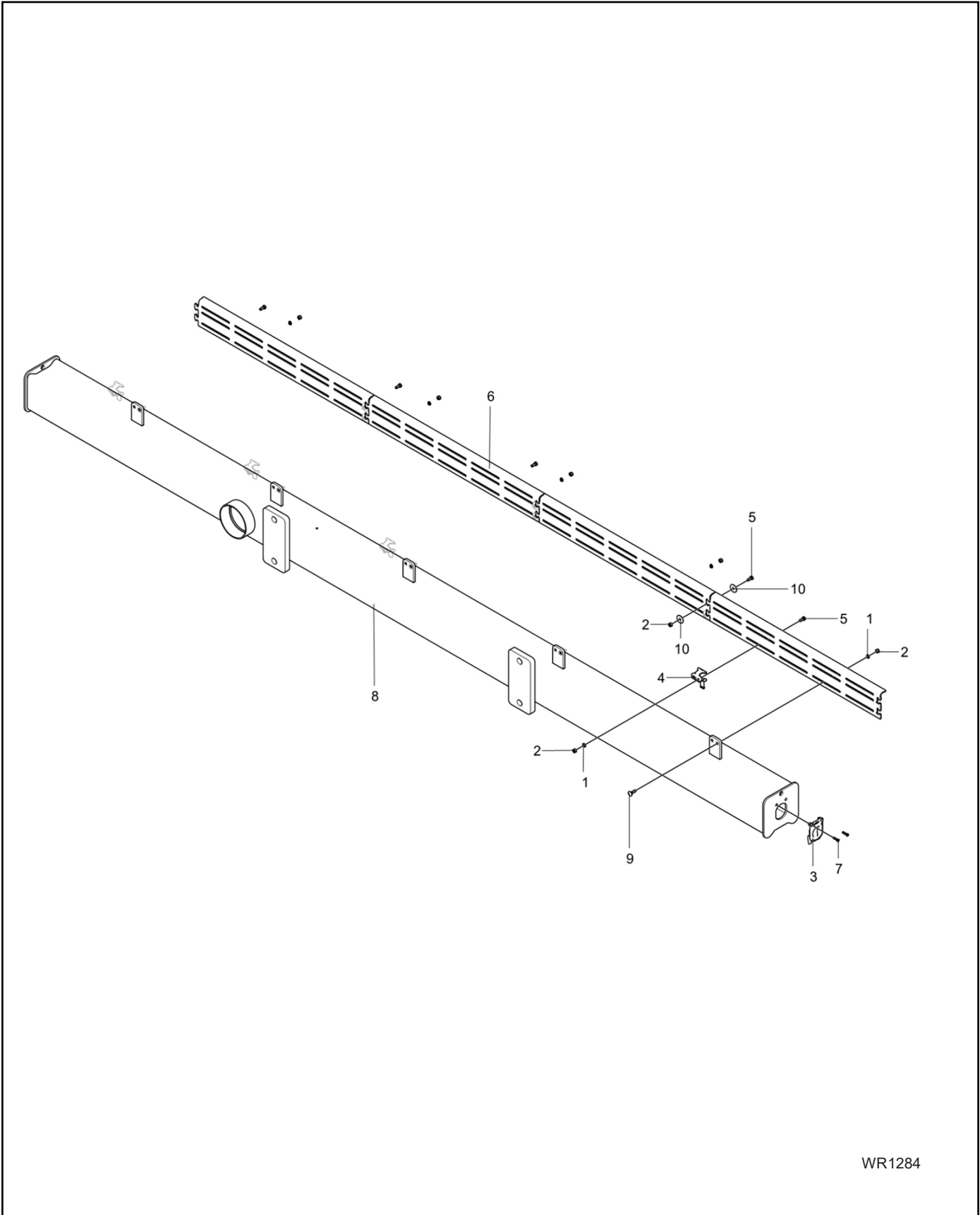


## Scale Link &amp; J Box Mounting Plate

REF.	FN	Part Number	Series	Qty.	Description
1		P88103		4	NUT, Hex, 3/8"-16NC 5ZP
2		P88262		4	WASHER, Lock, 1/4" ID (5/16" ACT) ZP
3		360512		1	PLATE, Scale Link/J Box Mount Laser
4		P88385		2	BOLT, U-Type, 3/8"-16NC x 4" x 5" Z
5		P88194		6	NUT, Hex, 10-24 2ZP
6		P354724		2	J-BLOCK, Digi Star, 404721
7		P88198		6	BOLT, SHSC, 10-24 x 1-1/4" A574NP
8		P360332		1	SCALE, Link, SL2140 ISO 4M12/R/S 4106
9		P354749		4	LOAD CELL, 1.875 DB-EZ MATE 16' 4096
10		P88111		8	BOLT, Hex, 3/4"-10NC x 3-1/2" 5ZP
11		30001551		8	PLATE, Mounting, Load Cell
12		P88356		4	NUT, Lock, 2 POS 3/4"-10NC 5YZP
13		30001666		1	MAINFRAME, 60'

# FRAME

## Frame, Secondary Toolbar, Center Section



WR1284

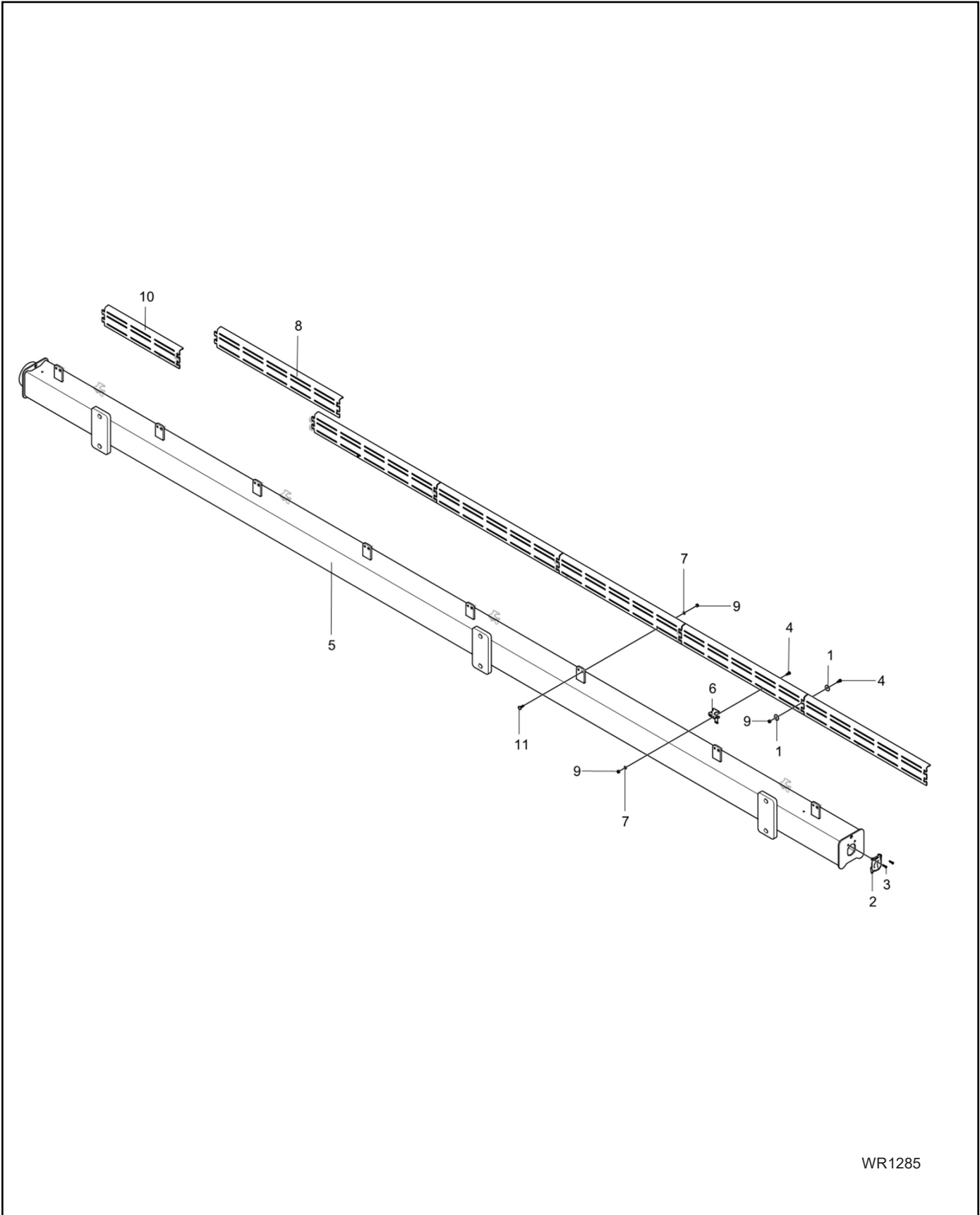


## Frame, Secondary Toolbar, Center Section

REF.	FN	Part Number	Series	Qty.	Description
1		52000800041		9	WASHER, 8.4 x 16 x 1.6
2		51010800021		15	NUT, Lock, M8 8
3		216359		2	COVER, Lock
4		261111		4	BRACKET, Electrical Junction
5		50000802021		10	BOLT, Hex, M8 x 20 8.8
6		257235		4	PLATE, Rail, 1.0 m
7		50270602512		4	SCREW, Thermoplastic, 6 x 25
8		30001395		1	BEAM, Center, Weld
9		50060803021		5	BOLT, Carriage, M8 x 30 8.8
10		52050800041		12	WASHER, 9 x 35 x 2

# FRAME

## Frame, Secondary Toolbar, LH Wing



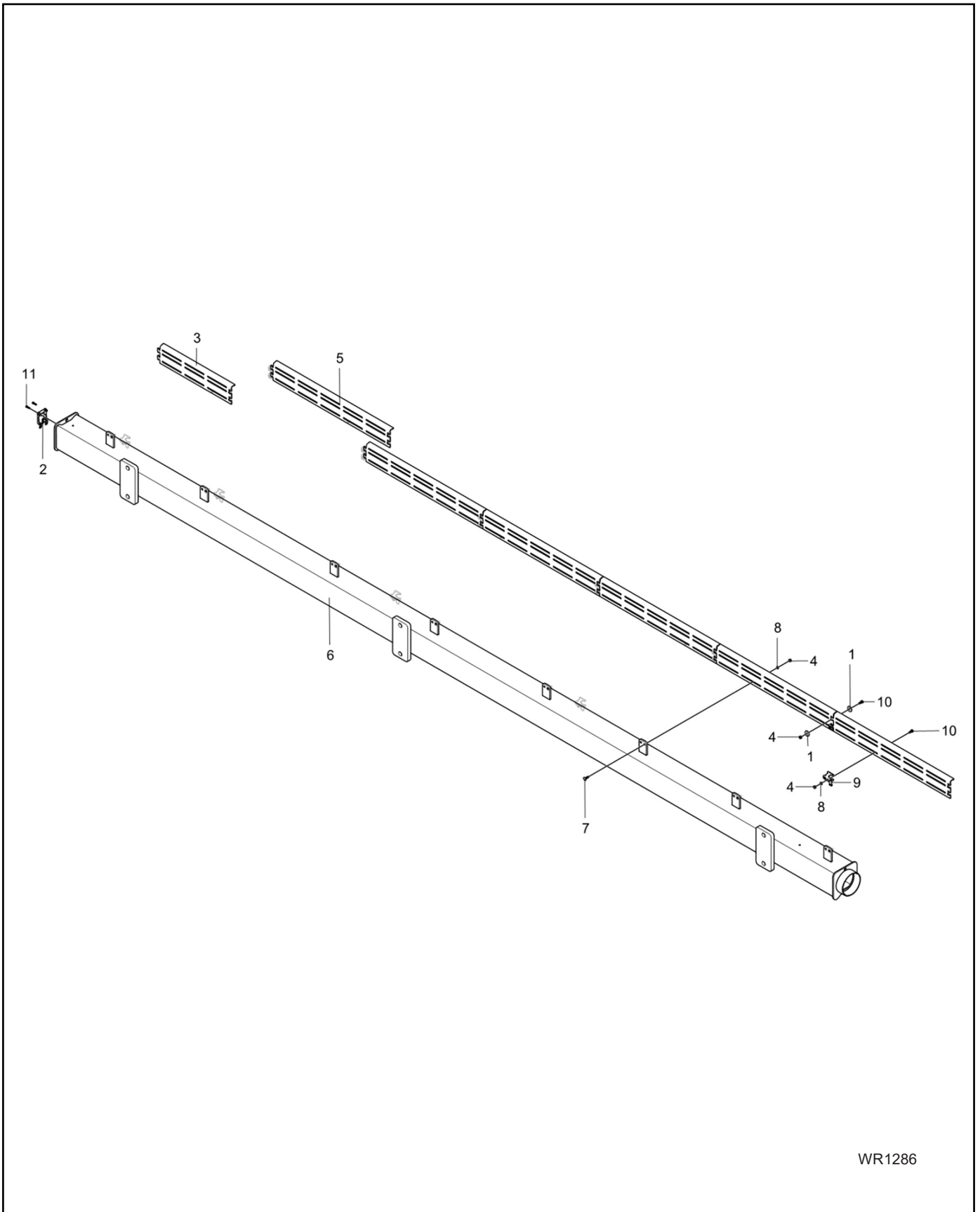
WR1285

## Frame, Secondary Toolbar, LH Wing

REF.	FN	Part Number	Series	Qty.	Description
1		52050800041		24	WASHER, 9 x 35 x 2
2		216359		1	COVER, Lock
3		50270602512		2	SCREW, Thermoplastic, 6 x 25
4		50000802021		17	BOLT, Hex, M8 x 20 8.8
5		30001396		1	BEAM, Weld, LH
6		261111		5	BRACKET, Electrical Junction
7		52000800041		13	WASHER, 8.4 x 16 x 1.6
8		257235		6	PLATE, Rail, 1.0 m
9		51010800021		25	NUT, Lock, M8 8
10		261102		1	PLATE, Rail, 0.6 m
11		50060803021		8	BOLT, Carriage, M8 x 30 8.8

# FRAME

## Frame, Secondary Toolbar, RH Wing



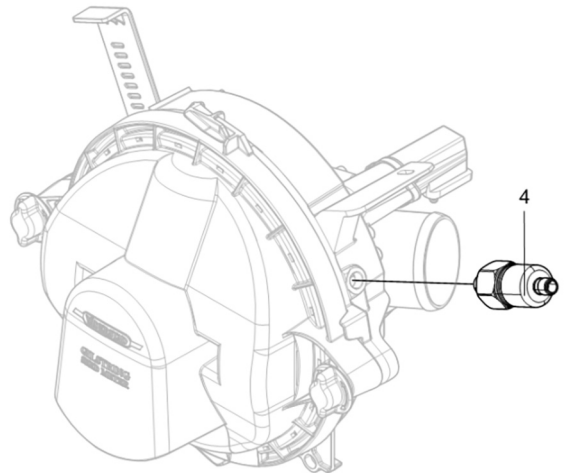
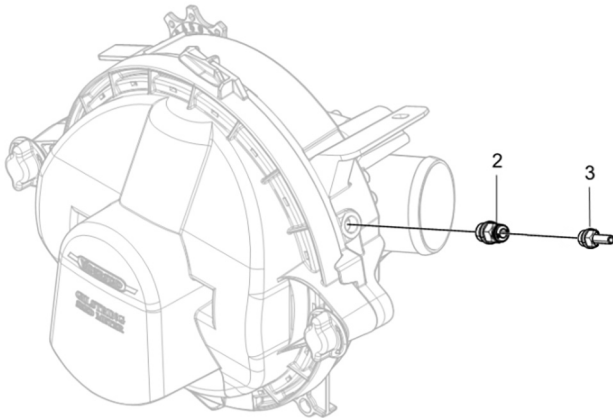
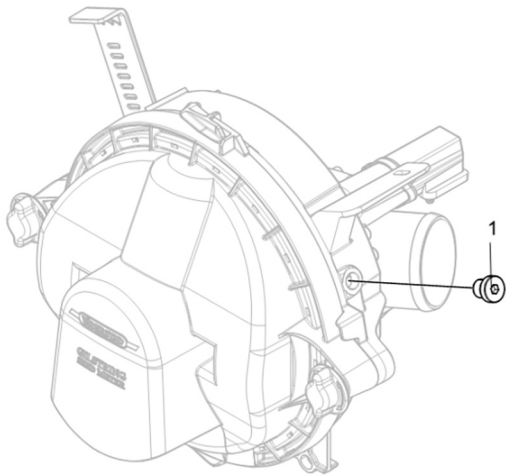
WR1286

## Frame, Secondary Toolbar, RH Wing

REF.	FN	Part Number	Series	Qty.	Description
1		52050800041		24	WASHER, 9 x 35 x 2
2		216359		1	COVER, Lock
3		261102		1	PLATE, Rail, 0.6 m
4		51010800021		25	NUT, Lock, M8 8
5		257235		6	PLATE, Rail, 1.0 m
6		30001396		1	BEAM, Weld, RH
7		50060803021		8	BOLT, Carriage, M8 x 30 8.8
8		52000800041		13	WASHER, 8.4 x 16 x 1.6
9		261111		5	BRACKET, Electrical Junction
10		50000802021		17	BOLT, Hex, M8 x 20 8.8
11		50270602512		2	SCREW, Thermoplastic, 6 x 25

# ROW UNITS

## Adapter



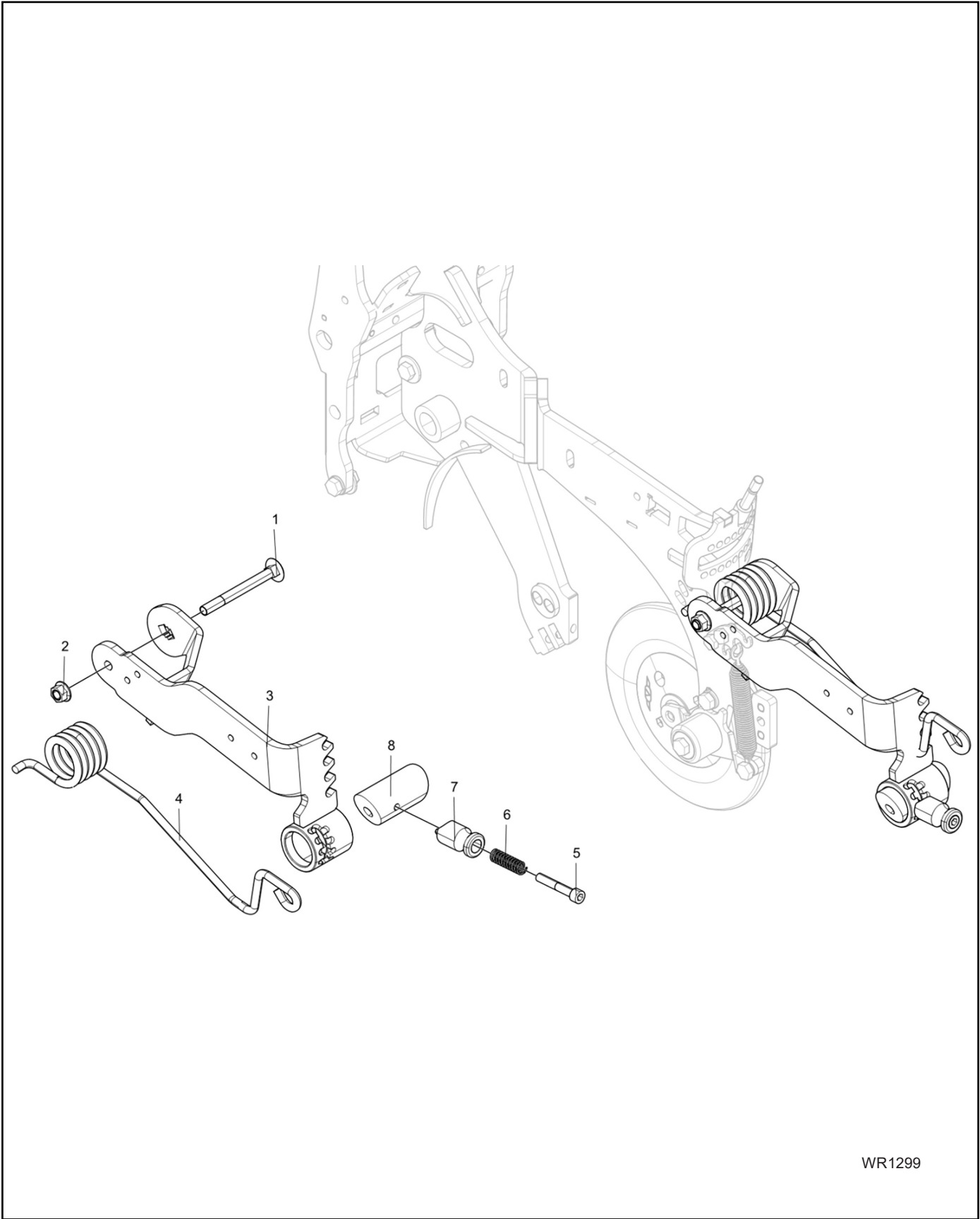
WR1371

---

REF.	FN	Part Number	Series	Qty.	Description
1		402266		1	PLUG, 1/4" A
2		30006862		1	ADAPTER, Brass Reducing, 1/8" NPT x 1/4" BSPP Male
3		354406		1	FITTING, Barbed Hose, 1/8" NPT x 1/8"
4		282696		1	SENSOR, Air Pressure

# ROW UNITS

## Arm, Adjustable



WR1299



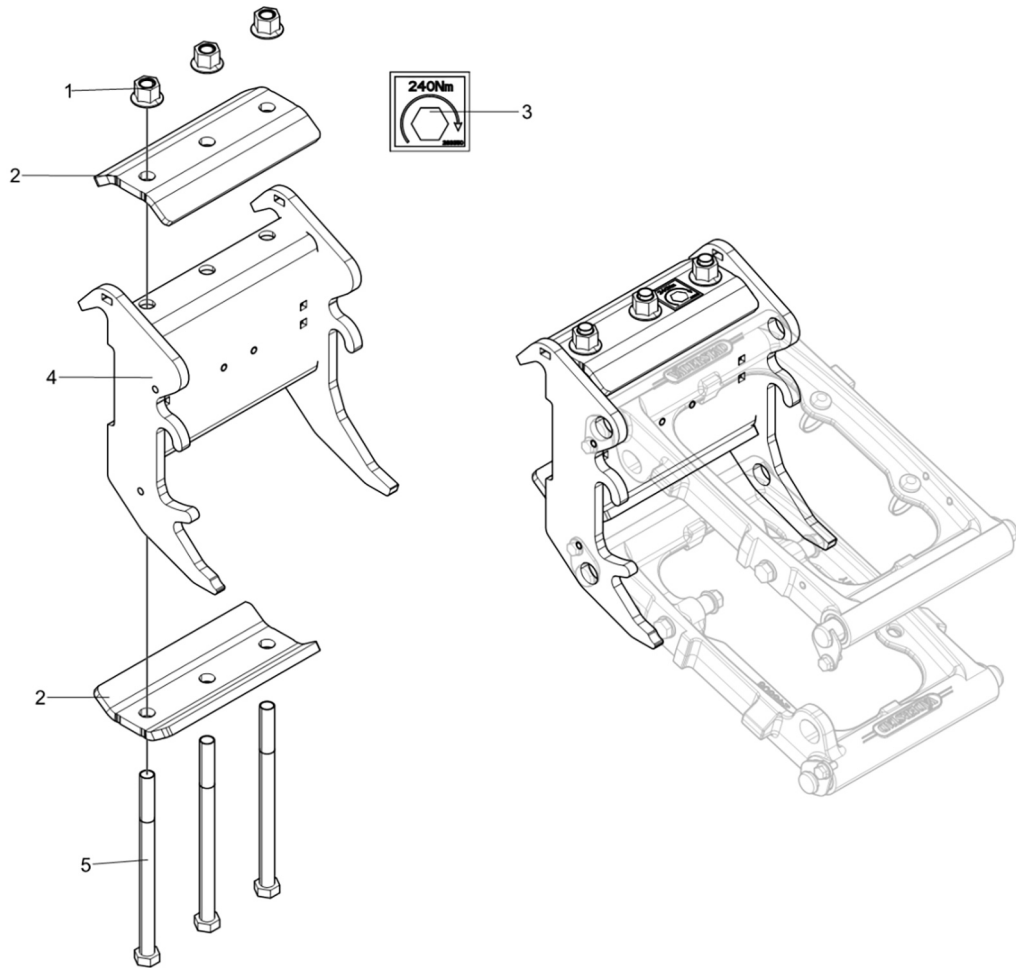
---

**ROW UNITS****Arm, Adjustable**

<b>REF.</b>	<b>FN</b>	<b>Part Number</b>	<b>Series</b>	<b>Qty.</b>	<b>Description</b>
1		50061212021		1	BOLT, Carriage, M12 x 120 8.8
2		51171200011		1	NUT, Flg Lock, M12 10
3		210125		1	ARM
4		220081		1	SPRING
5		50031006021		1	SCREW, Hexagon, M10 x 60 8.8
6		211168		1	SPRING
7		210283		1	SLEEVE
8		210124		1	AXLE

# ROW UNITS

## Bracket

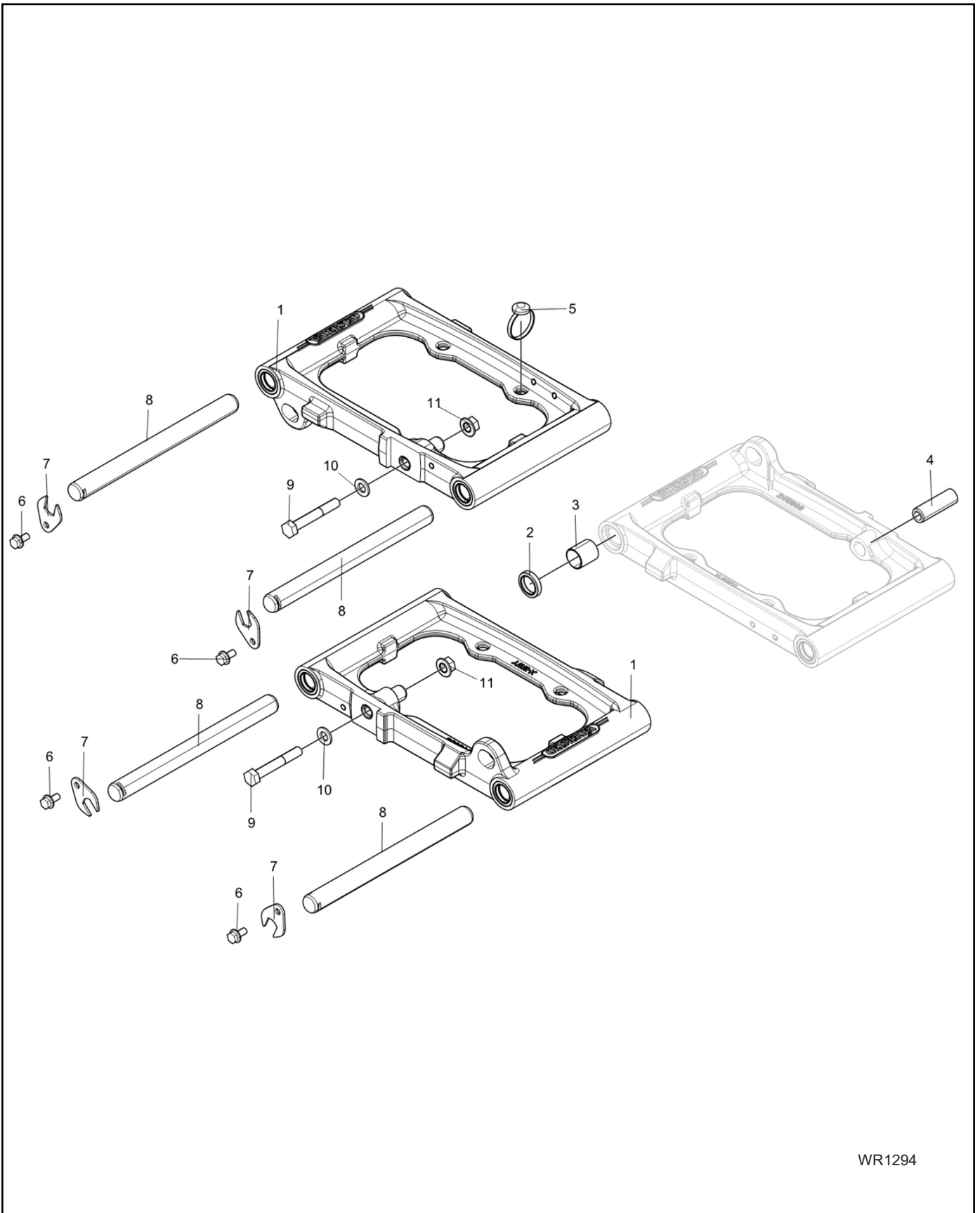


WR1263

REF.	FN	Part Number	Series	Qty.	Description
1		51131600021		3	NUT, Flg Lock, M16 8
2		494545		2	CHANNEL, Formed, Row Unit Mount
3		263350		1	DECAL
4		252785		1	BRACKET
5		50001623021		3	BOLT, Hex, M16 x 230 8.8

# ROW UNITS

## Linkage, Hydraulic



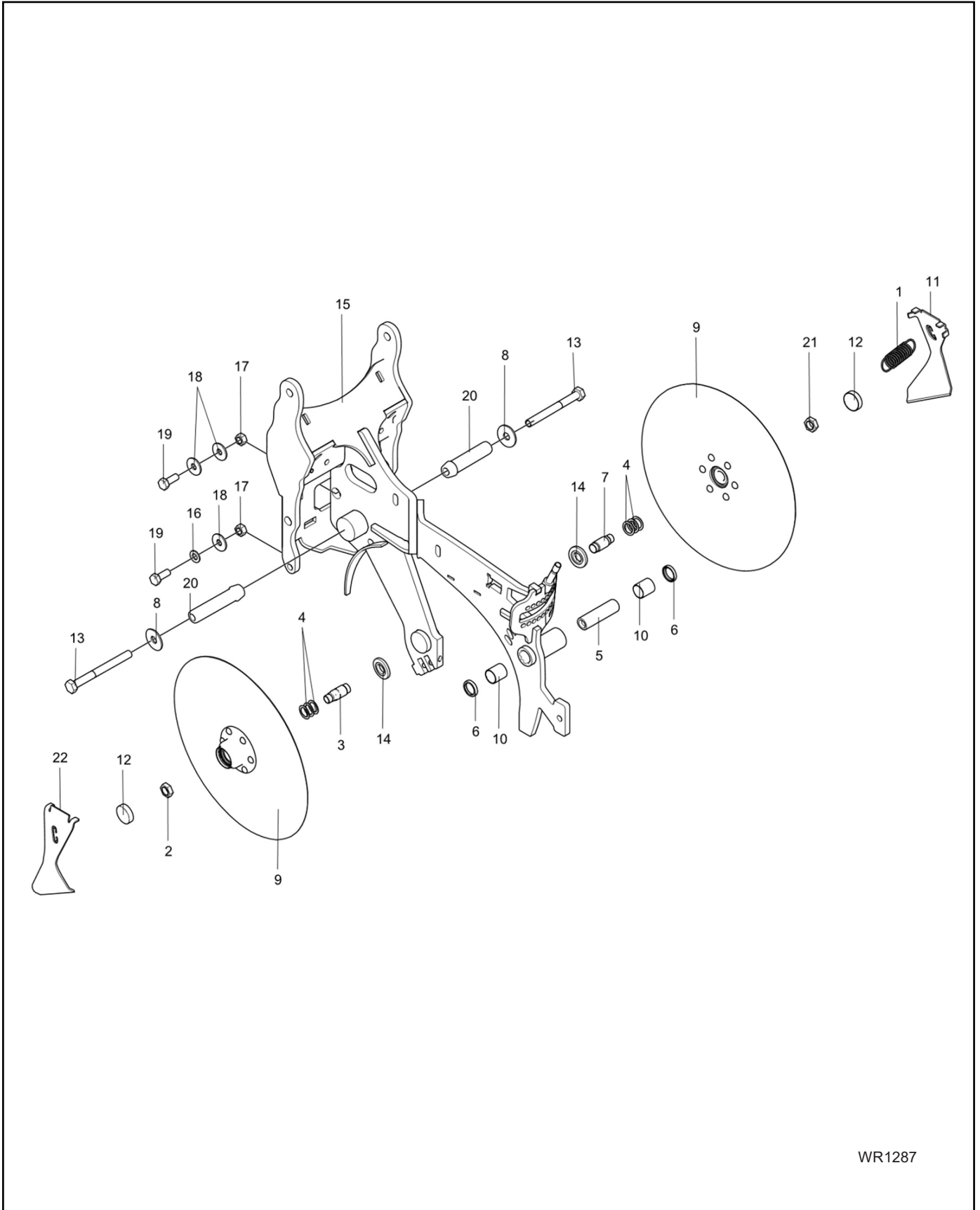
WR1294

ROW UNITS  
Linkage, Hydraulic

REF.	FN	Part Number	Series	Qty.	Description
1		245606		2	ARM, Link
2		154615		4	SEAL
3		156329		4	BEARING, Slide, 25/28 x 30
4		199854		1	AXLE
5		265674		2	CABLE TIE, W:5.6 L:381
6		50020801621		16	BOLT, Hex, M8 x 16 90
7		154947		4	PLATE
8		154941		4	AXLE
9		50001208021		2	BOLT, Hex, M12 x 80 8.8
10		52001200041		2	WASHER, 13 x 24 x 2.5
11		51171200011		2	NUT, Flg Lock, M12 10

# ROW UNITS

## Frame, Row Unit



WR1287

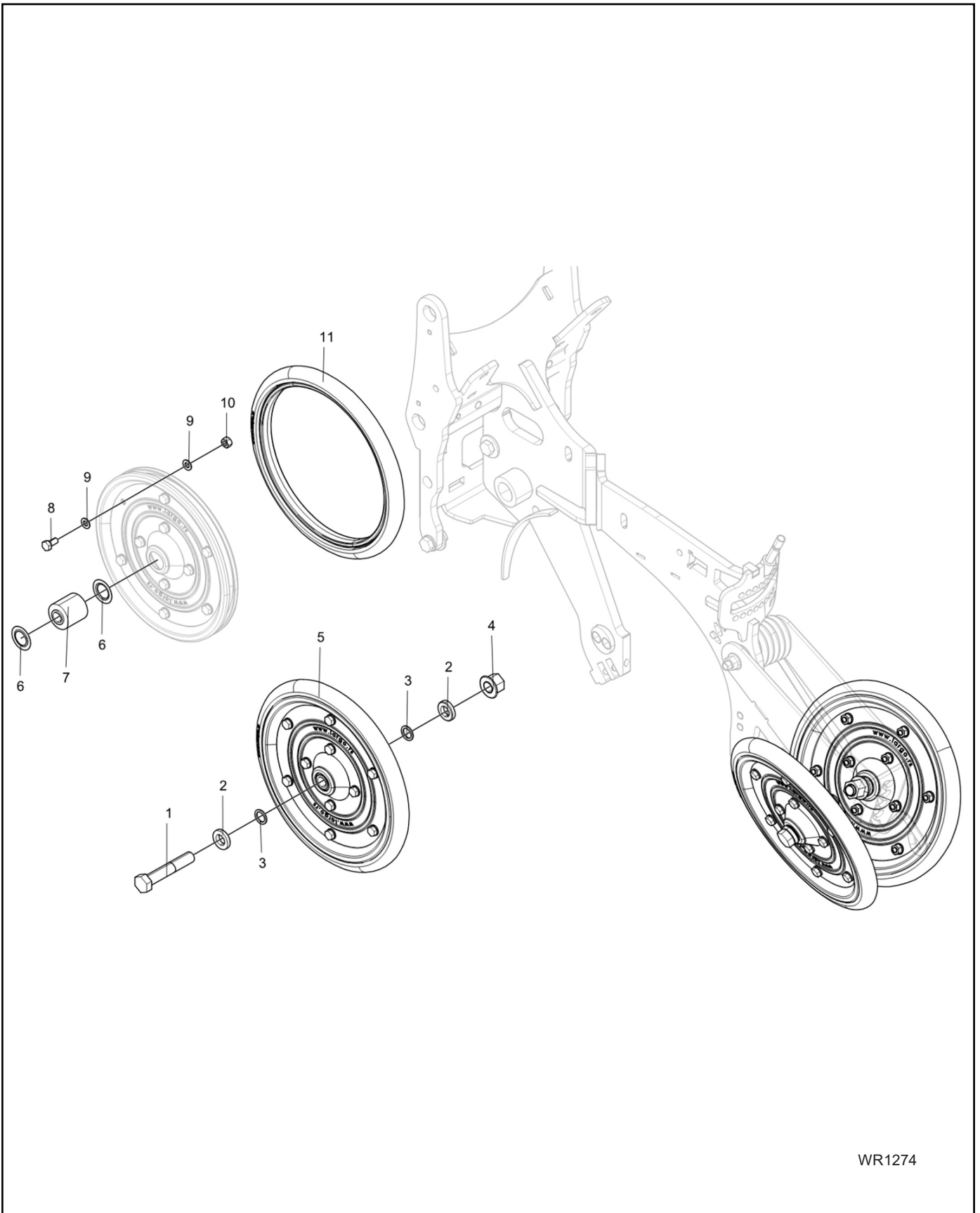
# ROW UNITS

## Frame, Row Unit

REF.	FN	Part Number	Series	Qty.	Description
1		265705		1	SPRING
2		51211600021		1	NUT, M16 04
3		181898		1	AXLE
4		52092028140		6	WASHER, 20 x 28 x 1
5		164773		1	SLEEVE
6		218920		2	SEAL
7		181897		1	AXLE
8		52091400041		2	WASHER, 15 x 44 x 3
9		223584		2	DISC
10		156329		2	BEARING, Slide, 25/28 x 30
11		252780		1	SCRAPER, RH
12		186492		2	COVER
13		50001414021		2	BOLT, Hex, M14 x 140 8.8
14		184235		2	WASHER
15		245620		1	FRAME, Seed Hopper
16		52001200041		2	WASHER, 13 x 24 x 2.5
17		51001200021		3	NUT, M12 8
18		52051235341		4	WASHER, 12 x 35 x 3
19		50001203021		3	BOLT, Hex, M12 x 30 8.8
20		216523		2	SLEEVE
21		51031600021		1	NUT, M16 04
22		252781		1	SCRAPER, Part belongs to kit 252781-200 Scraper, LH

# ROW UNITS

## Closing Wheel, Narrow



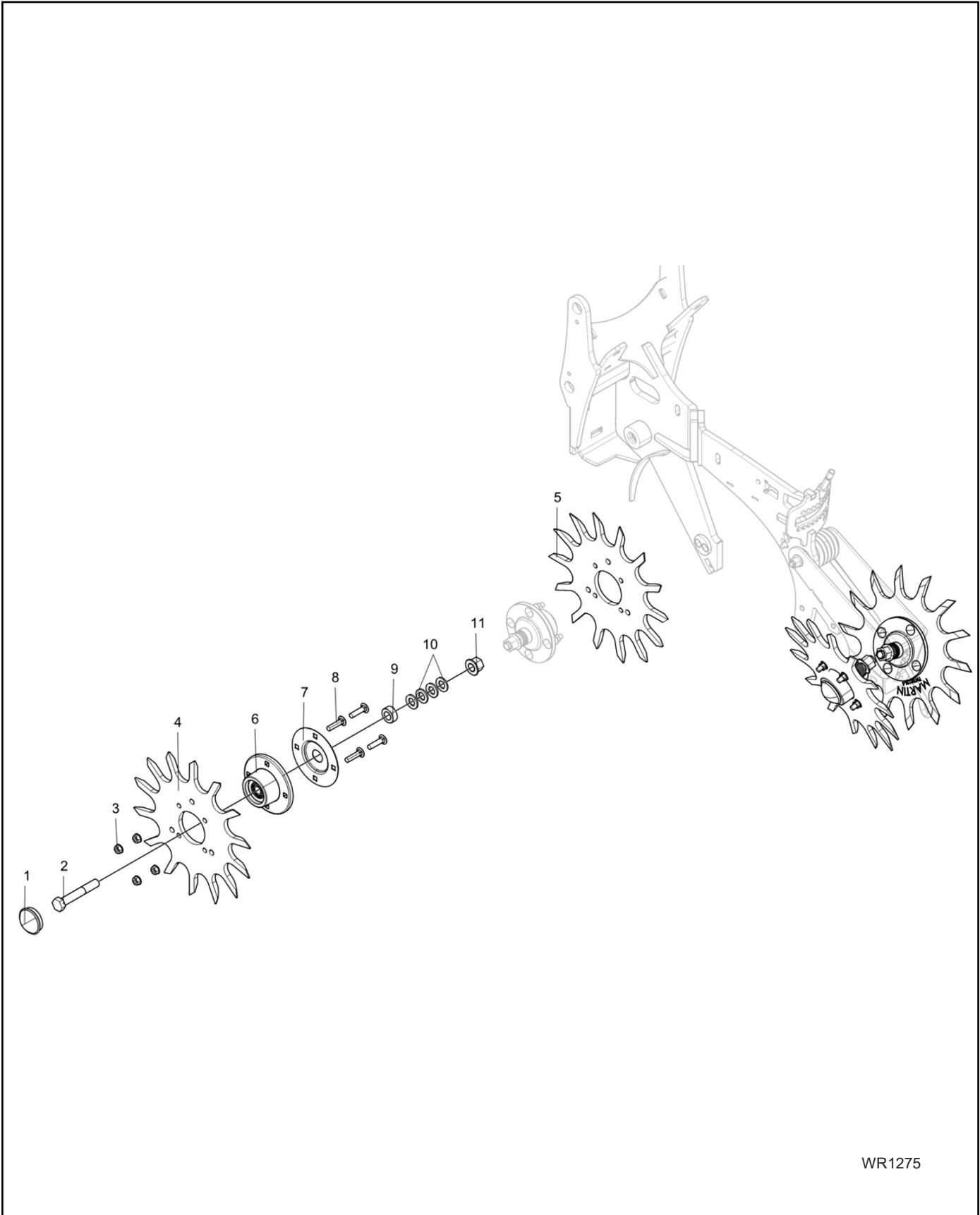


ROW UNITS  
Closing Wheel, Narrow

REF.	FN	Part Number	Series	Qty.	Description
1		50001609021		2	BOLT, Hex, M16 x 90 8.8
2		52011600041		6	WASHER, 17 x 30 x 6
3		491357		4	WASHER
4		51131600021		2	NUT, Flg Lock, M16 8
5		247401		2	CLOSING WHEEL, 310 x 25
6		247405		2	WASHER, Protection for bearing
7		465911		1	BEARING, Ball
8		50000801621		10	BOLT, Hex, M8 x 16 8.8
9		52000800041		20	WASHER, 8.4 x 16 x 1.6
10		247404		10	NUT, Lock, M8
11		247402		1	TYRE, 310 x 25

# ROW UNITS

## Closing Wheel, Spiked



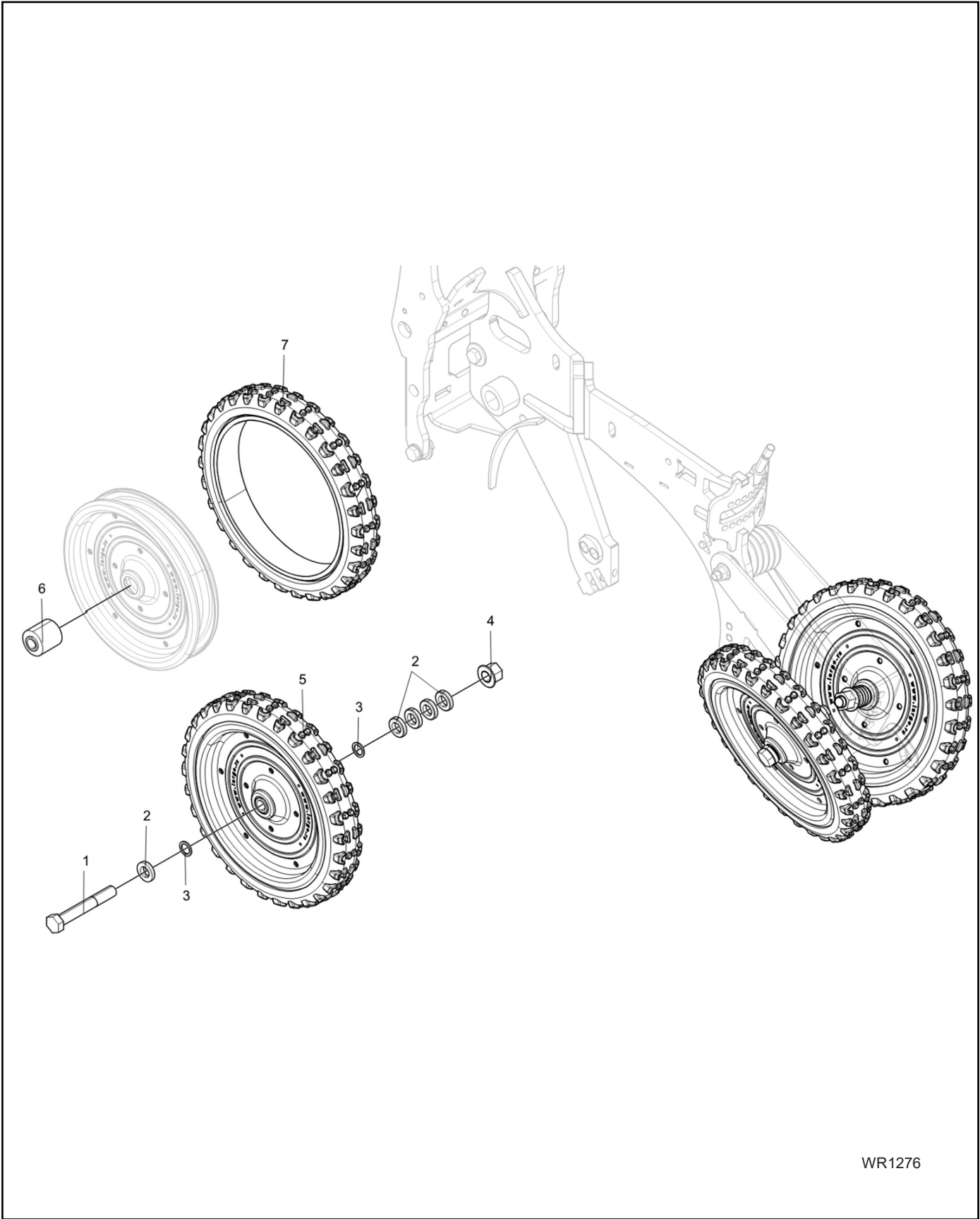
WR1275

ROW UNITS  
Closing Wheel, Spiked

REF.	FN	Part Number	Series	Qty.	Description
1		176568		2	HUB CAP
2		50001610021		2	BOLT, Hex, M16 x 100 8.8
3		176570		8	NUT, Flanged, 3/8"
4		176563		1	DISC, D:330, LH
5		176564		1	DISC, D:330, RH
6		176566		2	HUB
7		176567		2	COVER
8		176569		8	BOLT, Carriage, 3/8" x 1-1/4"
9		176591		2	SPACER, 5/8"
10		52001600041		8	WASHER, 17 x 30 x 3
11		51131600021		2	NUT, Flg Lock, M16 8

# ROW UNITS

## Closing Wheel, Treaded



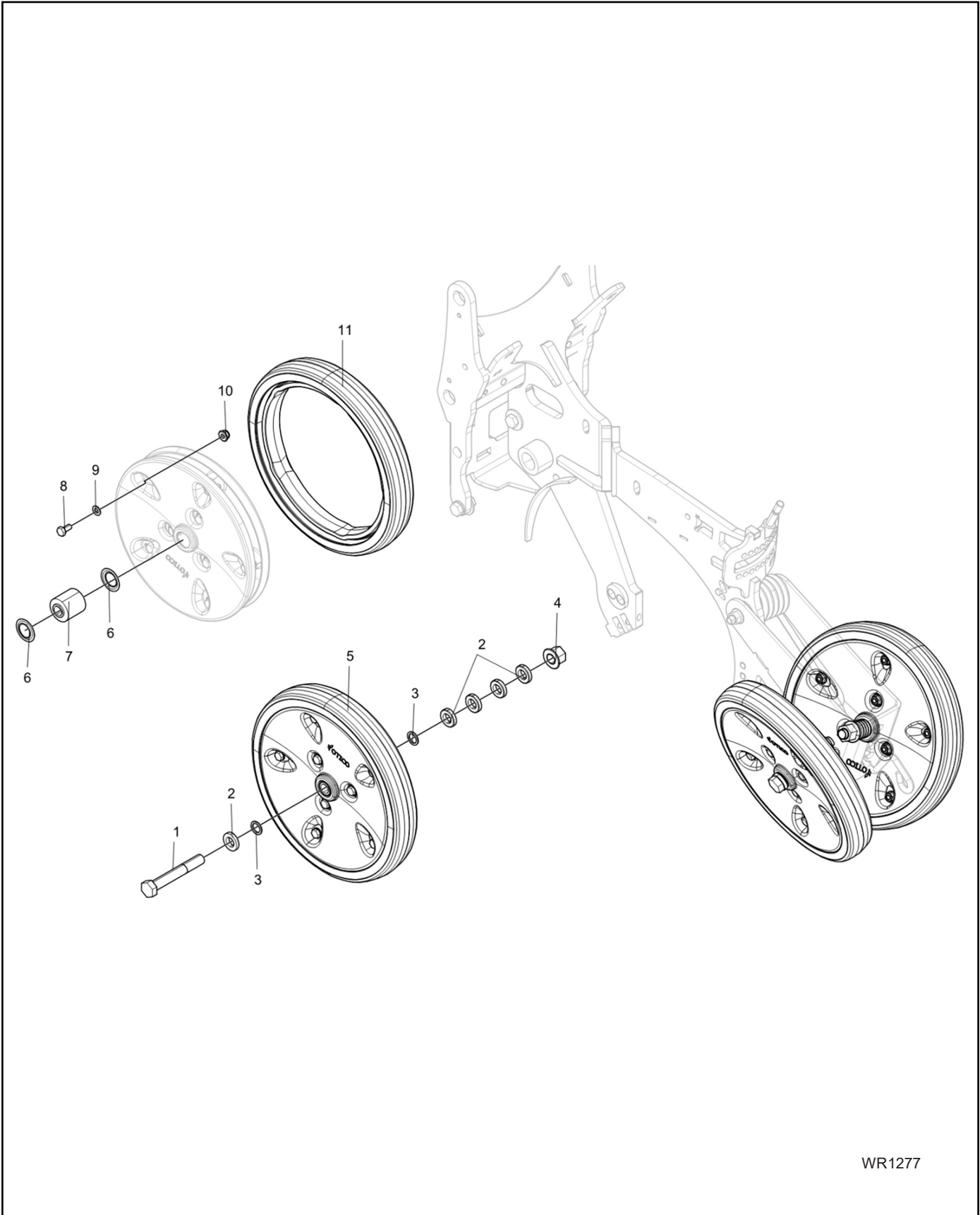
WR1276

ROW UNITS  
Closing Wheel, Treaded

REF.	FN	Part Number	Series	Qty.	Description
1		50001611021		2	BOLT, Hex, M16 x 110 8.8
2		52011600041		12	WASHER, 17 x 30 x 6
3		491357		4	WASHER
4		51131600021		2	NUT, Flg Lock, M16 8
5		198220		2	WHEEL, 325 x 50
6		465911		1	BEARING, Ball
7		198221		1	TYRE, 325 x 50

# ROW UNITS

## Closing Wheel, Wide



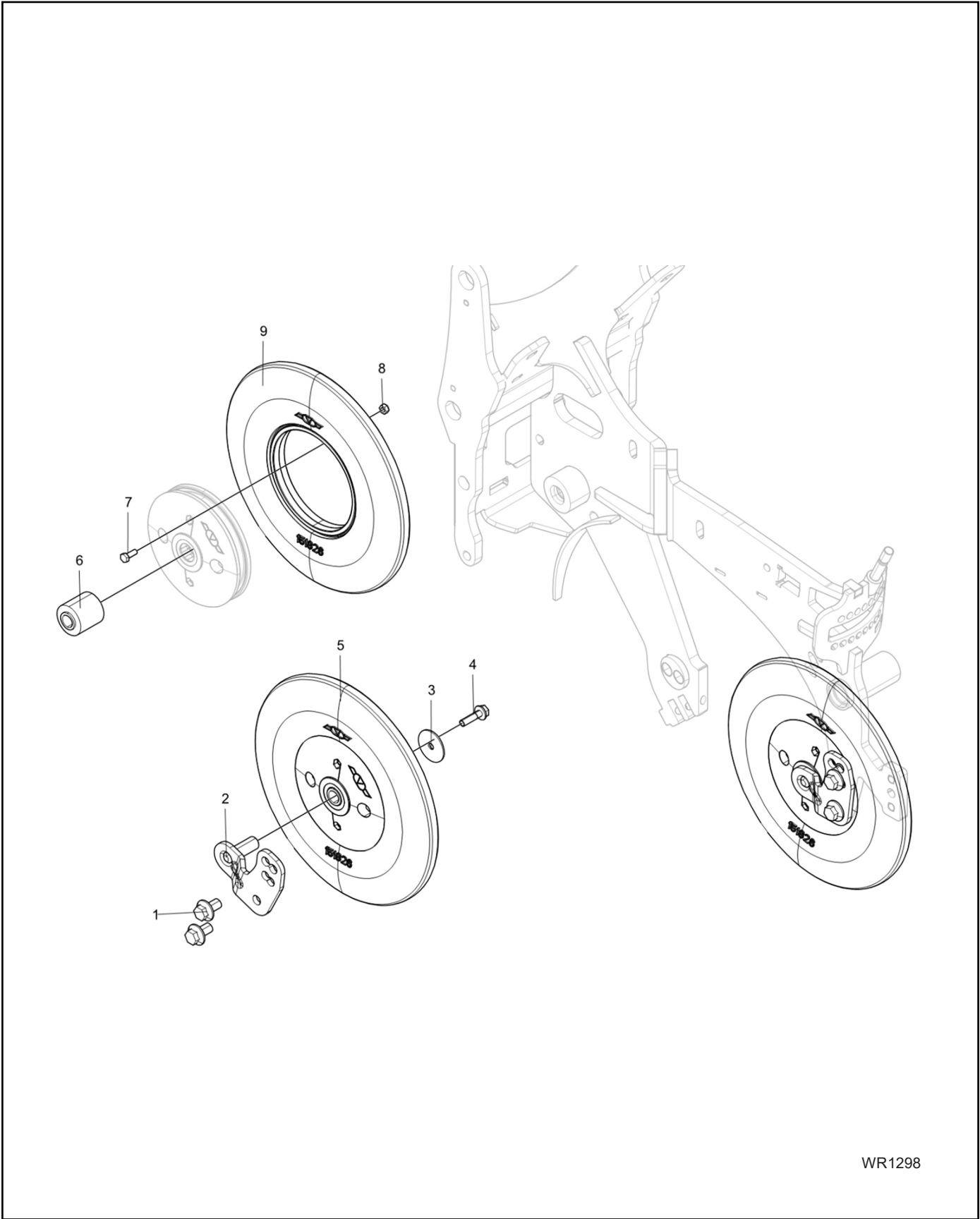
WR1277

ROW UNITS  
Closing Wheel, Wide

REF.	FN	Part Number	Series	Qty.	Description
1		50001611021		2	BOLT, Hex, M16 x 110 8.8
2		52011600041		12	WASHER, 17 x 30 x 6
3		491357		4	WASHER
4		51131600021		2	NUT, Flg Lock, M16 8
5		178415		2	WHEEL, 330 x 50
6		169271		2	WASHER
7		465911		1	BEARING, Ball
8		50000801621		8	BOLT, Hex, M8 x 16 8.8
9		52000800041		8	WASHER, 8.4 x 16 x 1.6
10		169274		8	NUT
11		178414		1	WHEEL

# ROW UNITS

## Press Wheel



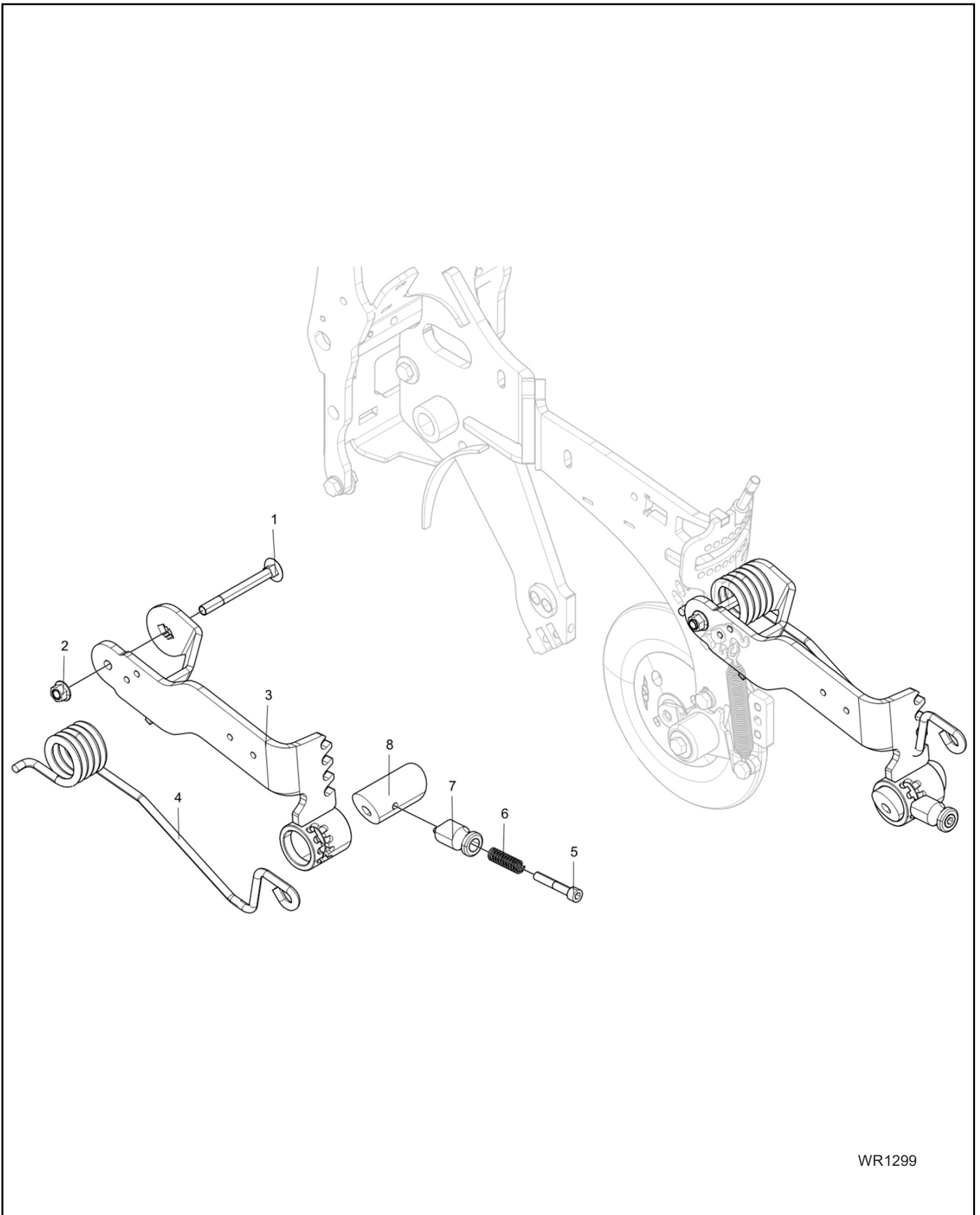
WR1298



REF.	FN	Part Number	Series	Qty.	Description
1		50021202021		2	BOLT, Hex, M12 x 20 100
2		227475		1	BRACKET
3		236584		1	WASHER
4		50020803021		1	BOLT, Hex, M8 x 30 90
5		151827		1	WHEEL, 70° Shore A
		485683		1	WHEEL, 60 Shore
6		465911		1	BEARING, Ball
7		50000601621		4	BOLT, Hex, M6 x 16 8.8
8		51010600021		4	NUT, Lock, M6 8
9		151826		1	WHEEL

# ROW UNITS

## Press Wheel, Shallow, Adjustable Arm



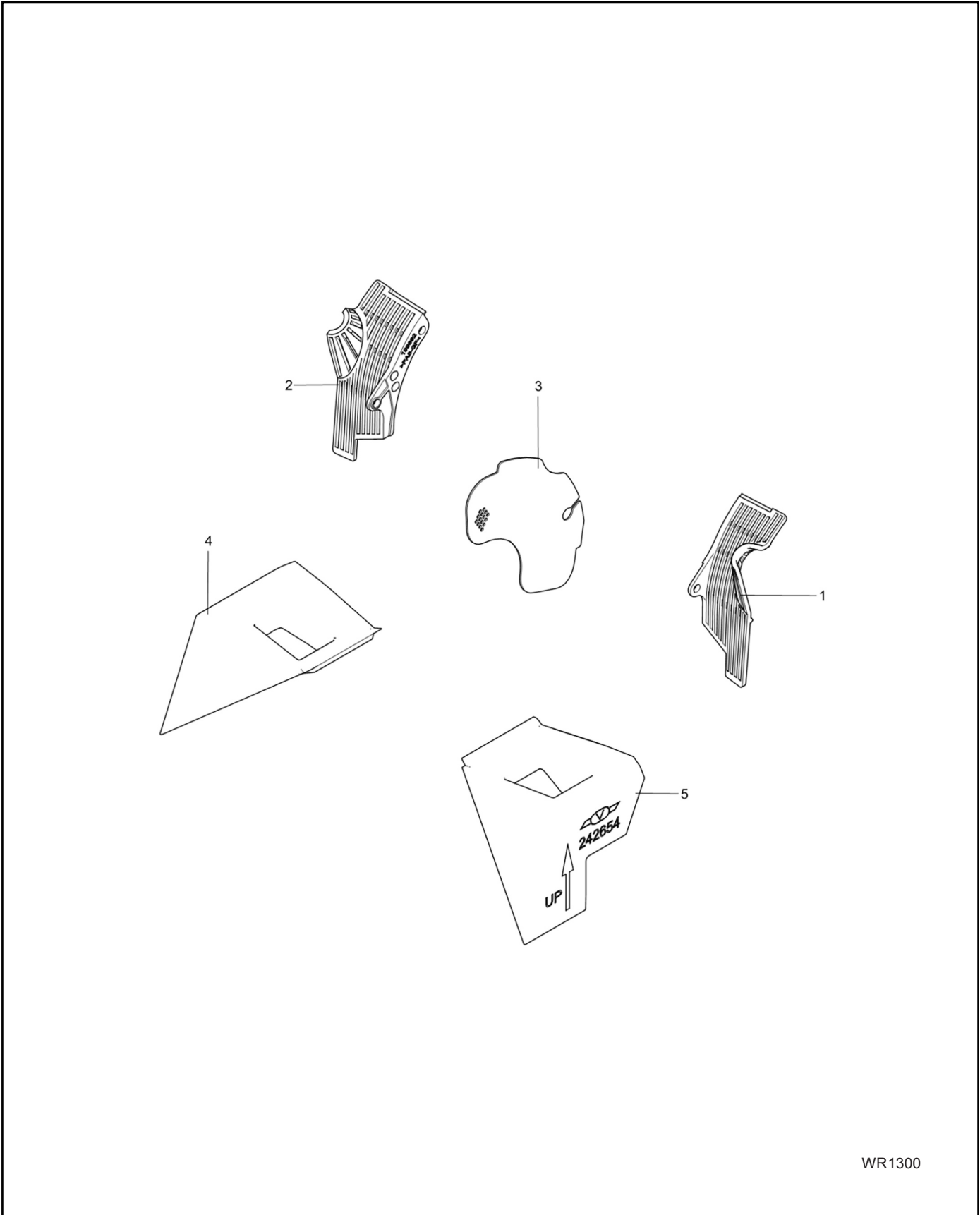
WR1299

**Press Wheel, Shallow, Adjustable Arm**

REF.	FN	Part Number	Series	Qty.	Description
1		50061212021		1	BOLT, Carriage, M12 x 120 8.8
2		51171200011		1	NUT, Flg Lock, M12 10
3		210125		1	ARM
4		220081		1	SPRING
5		50031006021		1	SCREW, Hex, M10 x 60 8.8
6		211168		1	SPRING
7		210283		1	SLEEVE
8		210124		1	AXLE

# ROW UNITS

## Press Wheel, Shallow, Grille



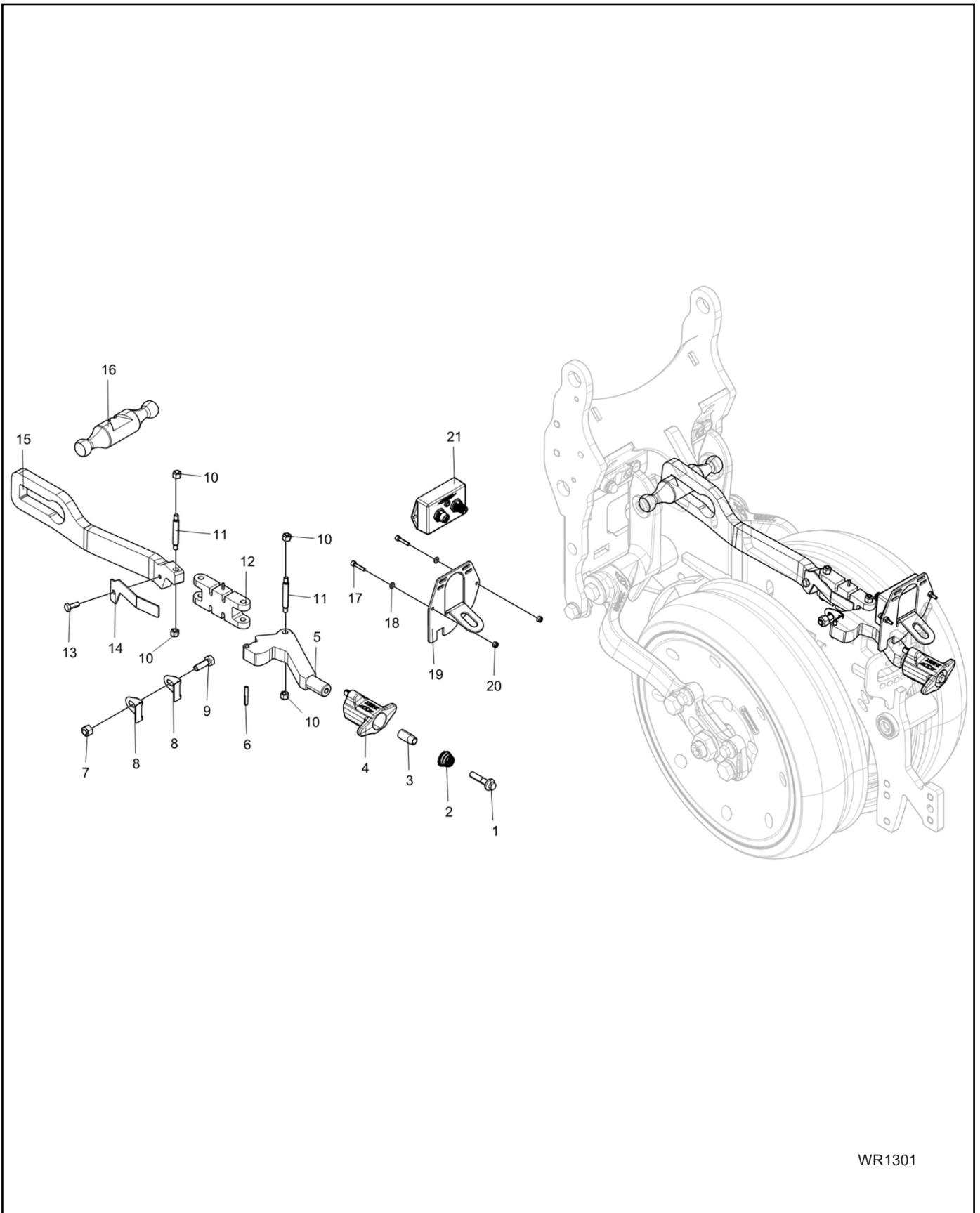
WR1300

**Press Wheel, Shallow, Grille**

REF.	FN	Part Number	Series	Qty.	Description
1		199891		1	GRILLE, Höger/RH
2		199892		1	GRILLE, Vänster/LH
3		199893		1	GRILLE, Såhus/Seed feed housing
4		237963		1	PLUG
5		242654		1	PLUG

# ROW UNITS

## Push Rod, WSX



WR1301

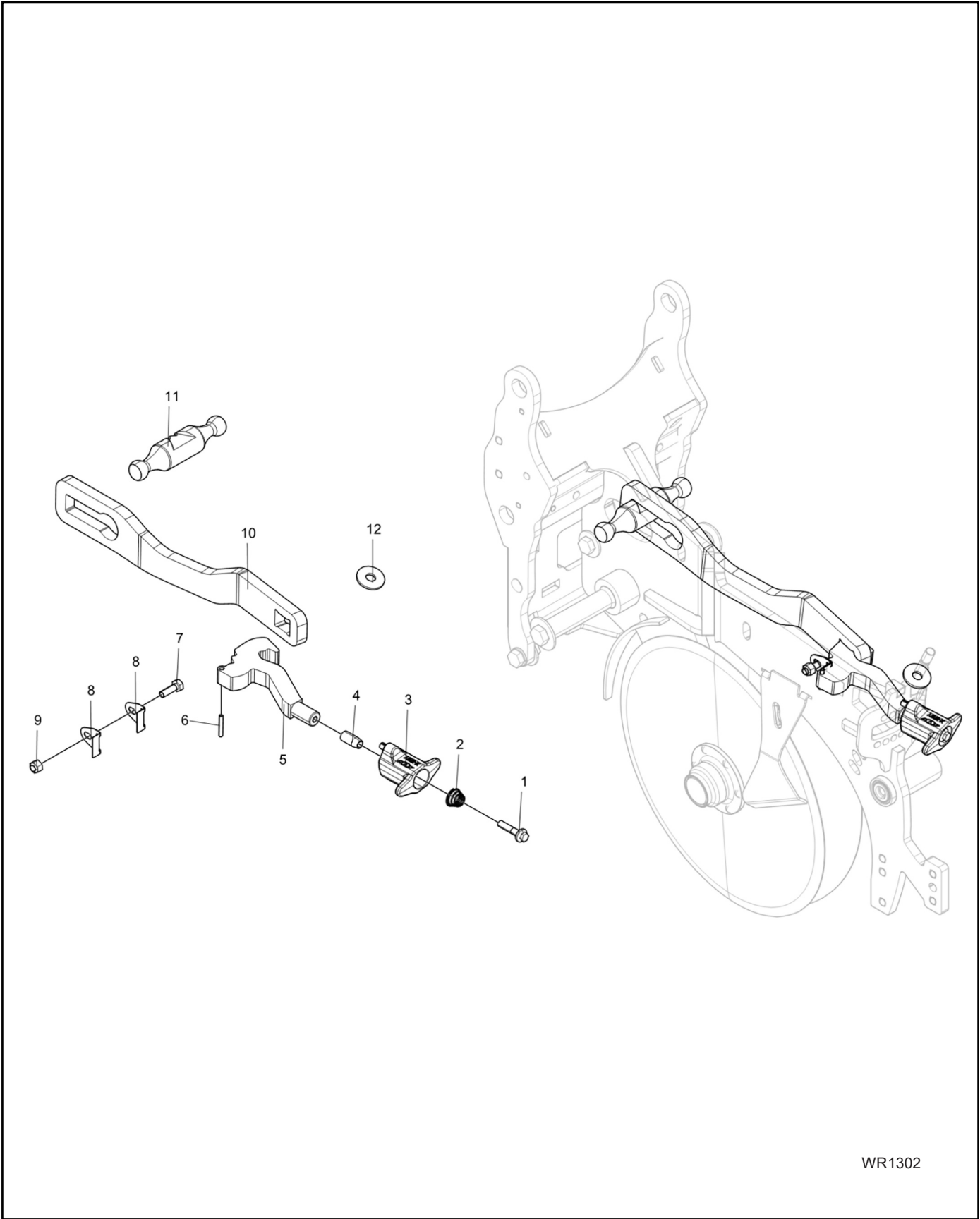
# ROW UNITS

## Push Rod, WSX

REF.	FN	Part Number	Series	Qty.	Description
1		50290803521		1	BOLT, Hex, M8 x 35 8.8
2		183091		1	SPRING
3		183090		1	SLEEVE
4		207988		1	HANDLE
5		254575		1	ARM
6		53000503091		1	PIN, Roll, 5 x 30
7		51010800021		1	NUT, Lock, M8 8
8		156233		2	SHIM
9		50000802521		1	BOLT, Hex, M8 x 25 8.8
10		51010600021		4	NUT, Lock, M6 8
11		254577		2	AXLE
12		254574		1	SENSOR
13		50000601621		1	BOLT, Hex, M6 x 16 8.8
14		254576		1	PLATE
15		254573		1	STAY
16		496585		1	LINK
17		50030402022		2	SCREW, Hex, M4 x 20 70
18		52000400042		2	WASHER, 4.3 x 9 x 0.8
19		245604		1	PLATE
20		51010400022		2	NUT, Lock, M4 70
21		250361		1	AMPLIFIER

# ROW UNITS

## Push Rod



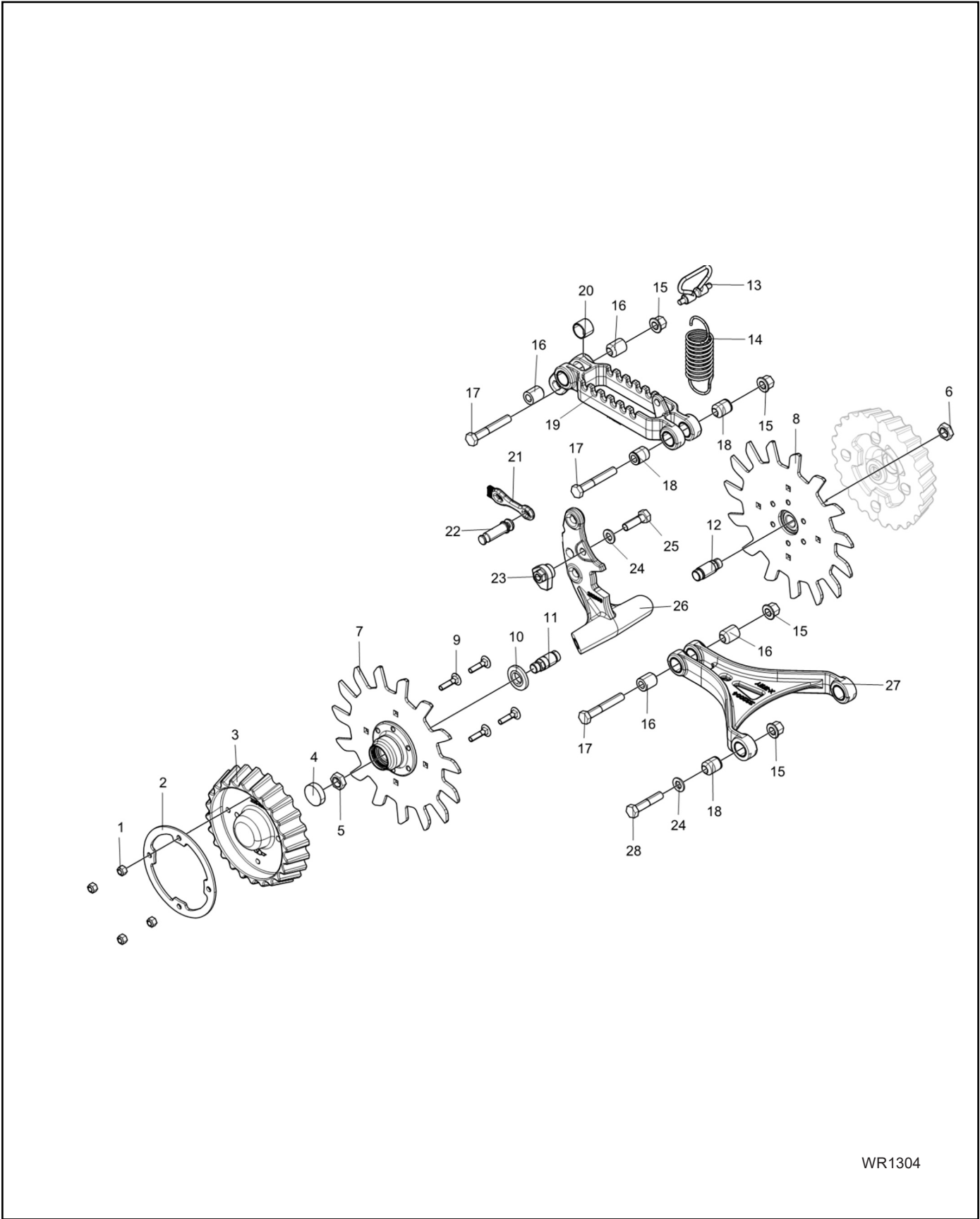
WR1302



REF.	FN	Part Number	Series	Qty.	Description
1		50290803521		1	BOLT, Hex, M8 x 35 8.8
2		183091		1	SPRING
3		207988		1	HANDLE
4		183090		1	SLEEVE
5		204430		1	ARM
6		53000503091		1	PIN, Roll, 5 x 30
7		50000802521		1	BOLT, Hex, M8 x 25 8.8
8		156233		2	SHIM
9		51010800021		1	NUT, Lock, M8 8
10		155517		1	STAY
11		496585		1	LINK
12		52051235341		1	WASHER, 12 x 35 x 3

# ROW UNITS

## Row Cleaners



WR1304

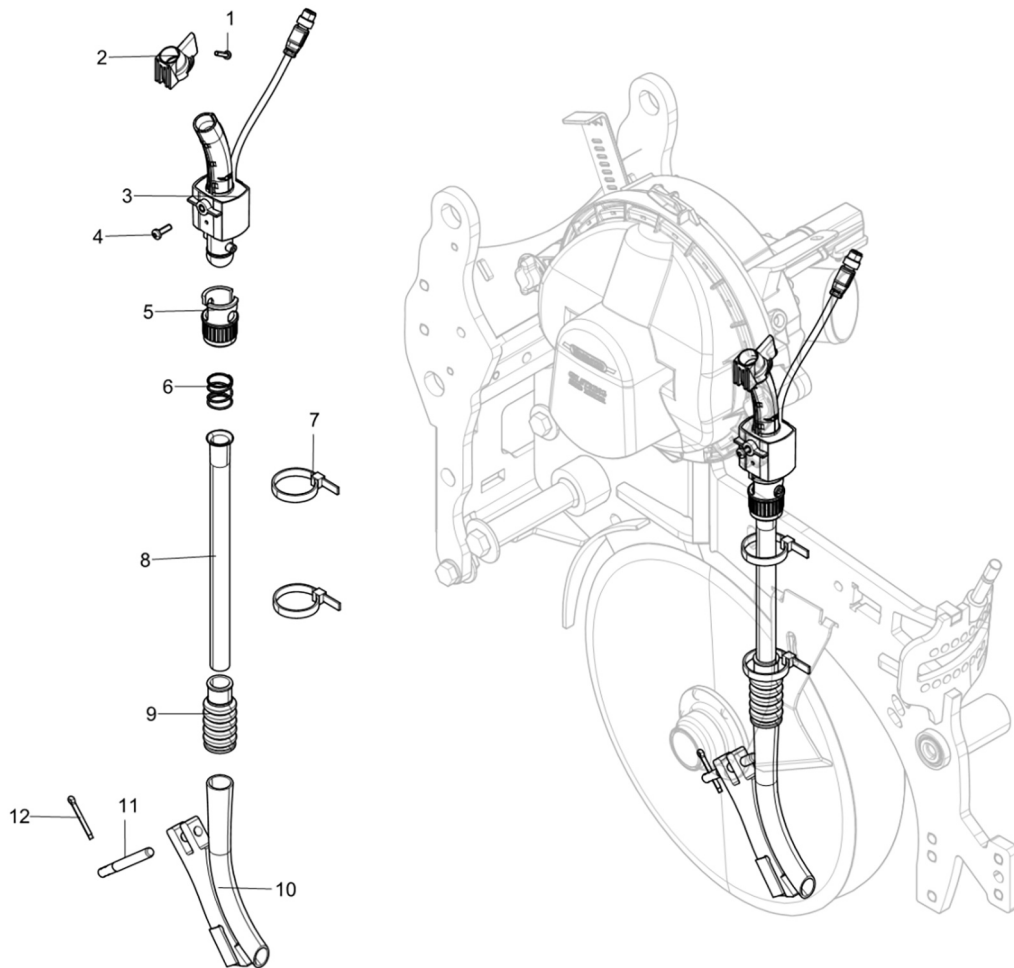
# ROW UNITS

## Row Cleaners

REF.	FN	Part Number	Series	Qty.	Description
1		51010800021		8	NUT, Lock, M8 8
2		204051		2	PLATE
3		205485		2	WHEEL
4		186492		2	COVER
5		51211600021		1	NUT, M16 04
6		51031600021		1	NUT, M16 04
7		223710		1	DISC, LH
8		223712		1	DISC, RH
9		50060803521		8	BOLT, Carriage, M8 x 35 8.8
10		184235		2	WASHER
11		181898		1	AXLE
12		181897		1	AXLE
13		206244		1	HANDLE
14		212031		1	SPRING
15		51131200011		5	NUT, Flg Lock, M12 10
16		231635		4	SLEEVE
17		50001208011		3	BOLT, Hex, M12 x 80 10.9
18		231630		4	SLEEVE
19		232008		1	LINK
20		231633		4	BUSHING
21		445190		1	STRAP, Rubber
22		206541		1	PIN, Quick Change
23		210779		1	SHAFT, Eccentric
24		52001200041		3	WASHER, 13 x 24 x 2.5
25		50001204021		1	BOLT, Hex, M12 x 40 8.8
26		232006		1	LINK
27		232005		1	LINK
28		50001206011		2	BOLT, Hex, M12 x 60 10.9

# ROW UNITS

## Seed Coulter, 16mm



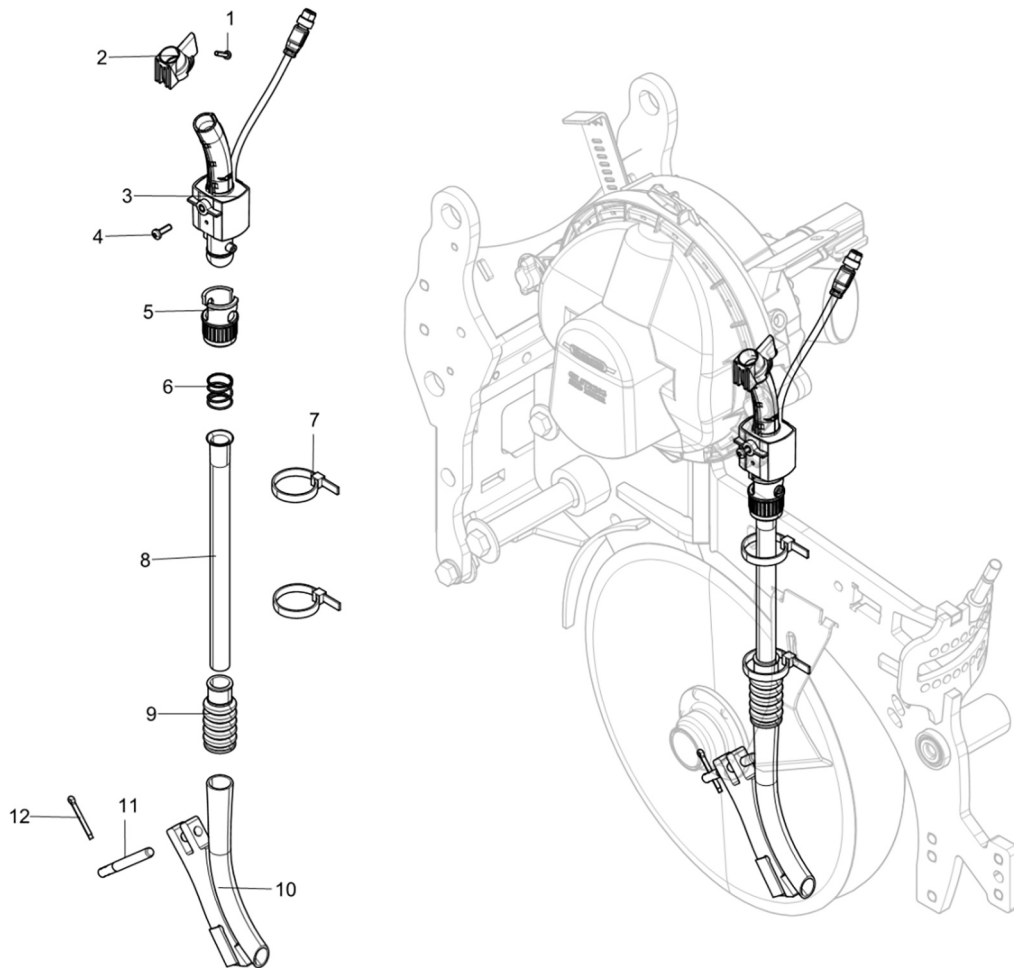
WR1313

ROW UNITS  
Seed Coulter, 16mm

REF.	FN	Part Number	Series	Qty.	Description
1		50270401612		1	SCREW, Thermoplastic, 4 x 16
2		175814		1	ADAPTER, Frögivare/Seed Sensor
3		251745		1	SENSOR, 16mm, M12 kontakt/connector
4		50260501622		1	SCREW, Hex, M5 x 16 70
5		495124		1	CLAMP
6		495125		1	SPRING
7		410312		2	CABLE TIE, W:7.6 L:300
8		495123		1	TUBE, Seed
9		150734		1	BELLOW
10		203795		1	TUBE, Seed, DI:16
11		202992		1	PIN
12		53030403271		1	PIN, Split, 4 x 32

# ROW UNITS

## Seed Coulter, 22mm



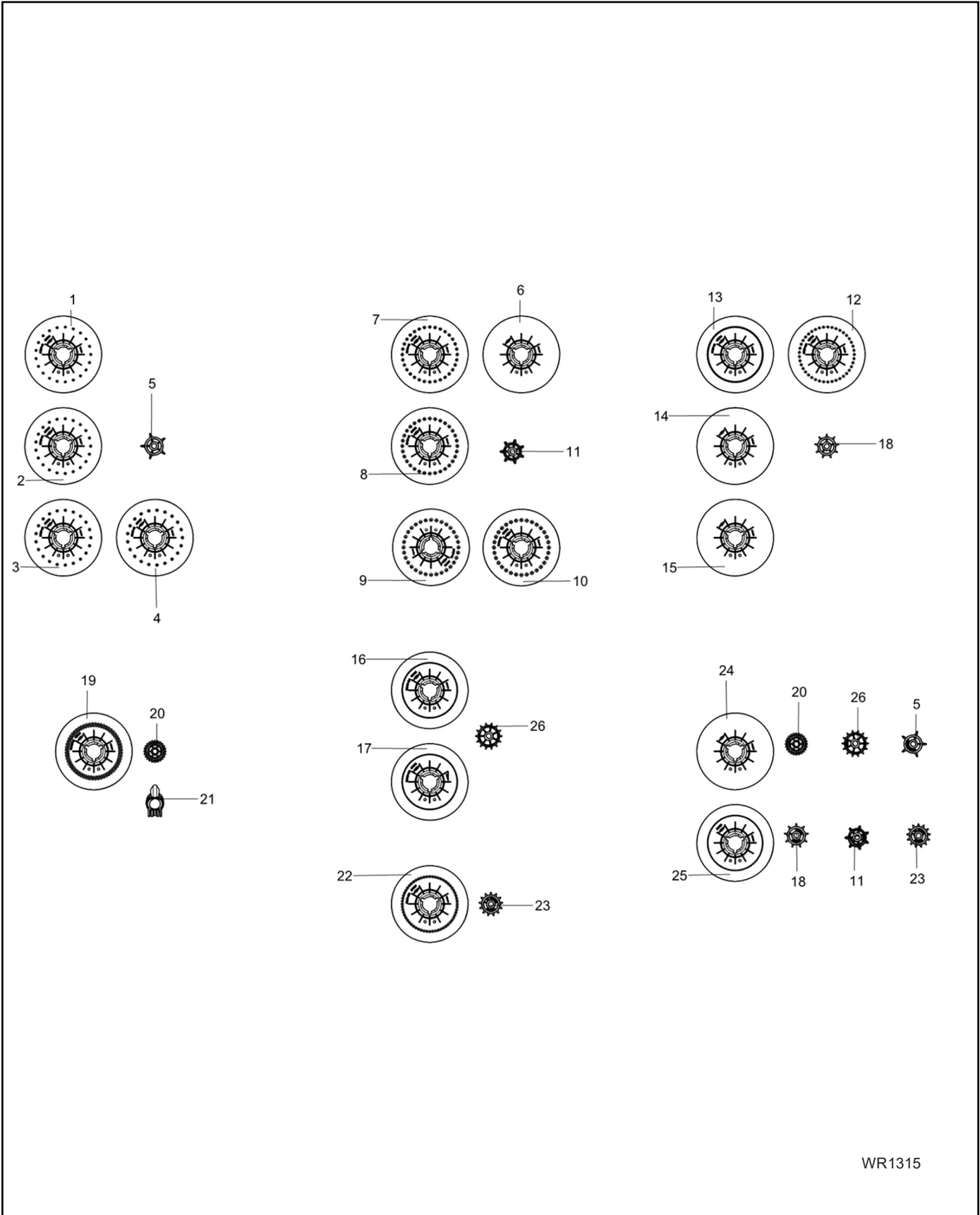
WR1313

ROW UNITS  
Seed Coulter, 22mm

REF.	FN	Part Number	Series	Qty.	Description
1		50270401612		1	SCREW, Thermoplastic, 4 x 16
2		170969			ADAPTER
3		251746		1	SENSOR, 22mm, M12 kontakt/connector
4		50260501622		1	SCREW, Hex, M5 x 16 70
5		171223		1	SPRING
6		171004		1	CLAMP
7		410312		2	CABLE TIE, W:7.6 L:300
8		187550		1	TUBE, Seed
9		185381		1	BELLOW
10		203799		1	TUBE, Seed, DI:22
11		202992		1	PIN
12		53030403271		1	PIN, Split, 4 x 32

# ROW UNITS

## Disc, Seed



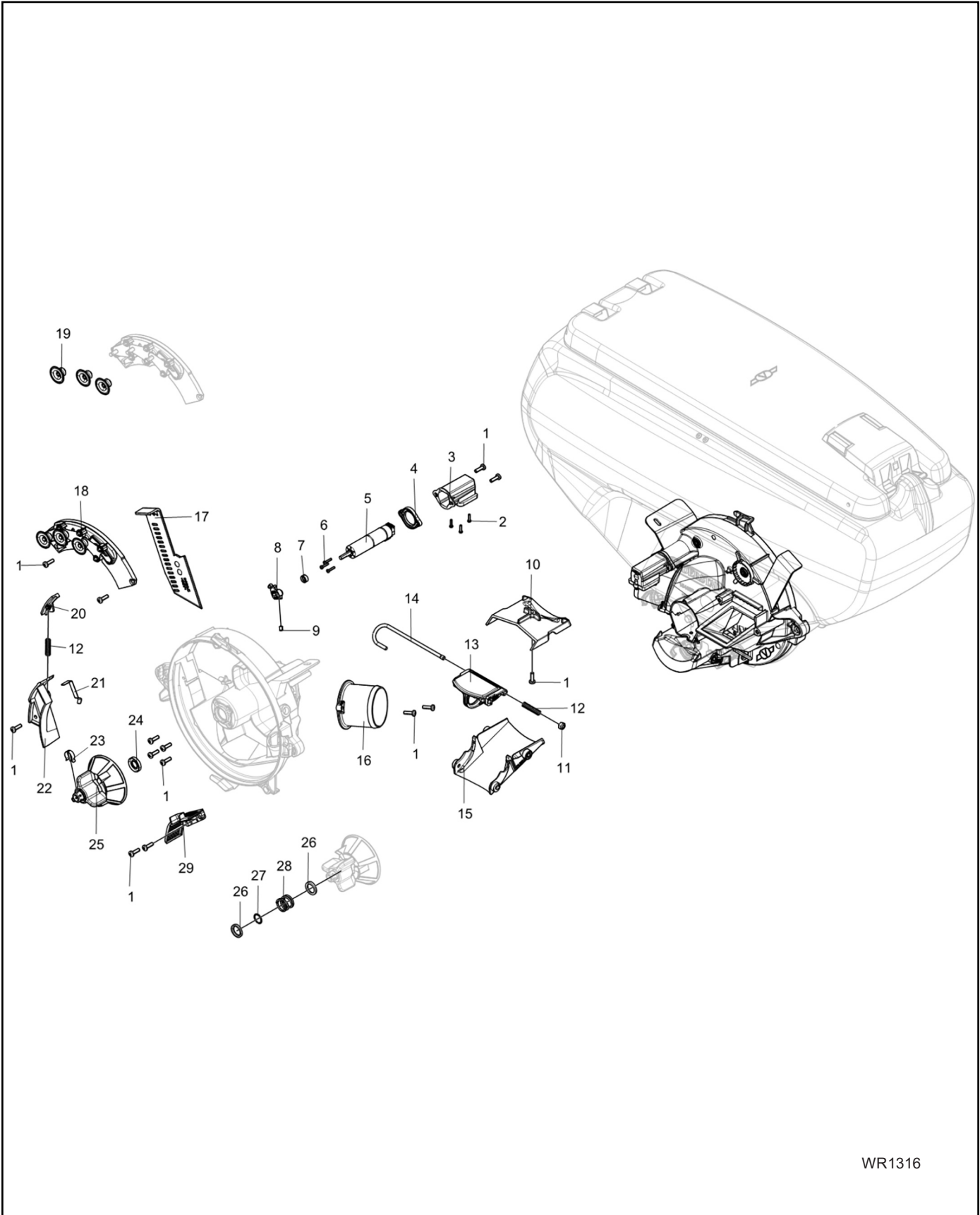
WR1315



REF.	FN	Part Number	Series	Qty.	Description
1		172803		1	DISC, Seed, Part belongs to kit 172803-1 Seed disc, Type 2125P-32
2		491647		1	DISC, Seed, Part belongs to kit 491647-1 Seed disc, Type 2130P-32
3		499376		1	DISC, Seed, Part belongs to kit 499376-1 Seed disc, Type 2135P-32
4		499377		1	DISC, Seed, Part belongs to kit 499377-1 Seed disc, Type 2140P-32
5		491615		2	GEAR, (21-hål)
6		166025		1	DISC, Seed, Part belongs to kit 166025-1 Seed disc, Type 6535P-32
7		490846		1	DISC, Seed, Part belongs to kit 490846-1 Seed disc, Type. 3240P-32
8		490451		1	DISC, Seed, Part belongs to kit 490451-1 Seed disc, Type 3250P-32
9		490457		1	DISC, Seed, Part belongs to kit 490457-1 Seed disc, Type. 3255P-32
10		491975		1	DISC, Seed, Part belongs to kit 491975-1 Seed disc, Type 3260P-32
11		499655		2	GEAR, (32-hål)
12		158214		1	DISC, Seed, Part belongs to kit 158214-1 Seed disc, Type 4125P-32S
13		151101		1	DISC, Seed, Part belongs to kit 151101-1 Seed disc, Type 8323P-32
14		188189		1	DISC, Seed, Part belongs to kit 188189-1 Seed disc, Type 8345P-32
15		188190		1	DISC, Seed, Part belongs to kit 188190-1 Seed disc, Type 8350P-32
16		176995		1	DISC, Seed, Part belongs to kit 176995-1 Seed disc, Type 12114P-32S
17		262188		1	DISC, Seed, Part belongs to kit 262188-1 Seed disc, Type 12112P-32S
18		151282		2	GEAR, Ø2 x 9
19		155273		1	DISC, Seed, Part belongs to kit 155273-1 Seed disc, Type 12040F-32
20		159120		2	GEAR, (120-hål)
21		223180		1	ADAPTER, Frögivare/Seed sensor 16 x 25
22		271927		1	DISC, Seed, Part belongs to kit 271927-1 Seed disc, Type 6025P-32S
23		271928		2	WHEEL, White, Ø2.1 x 13
24		493923		1	DISC, Seed, Part belongs to kit 493923-1 Seed disc
25		223181		1	DISC, Seed, Part belongs to kit 223181-1 Seed disc
26		271968		2	WHEEL, Orange, 14 x Ø3

# ROW UNITS

## Seed Feed Housing



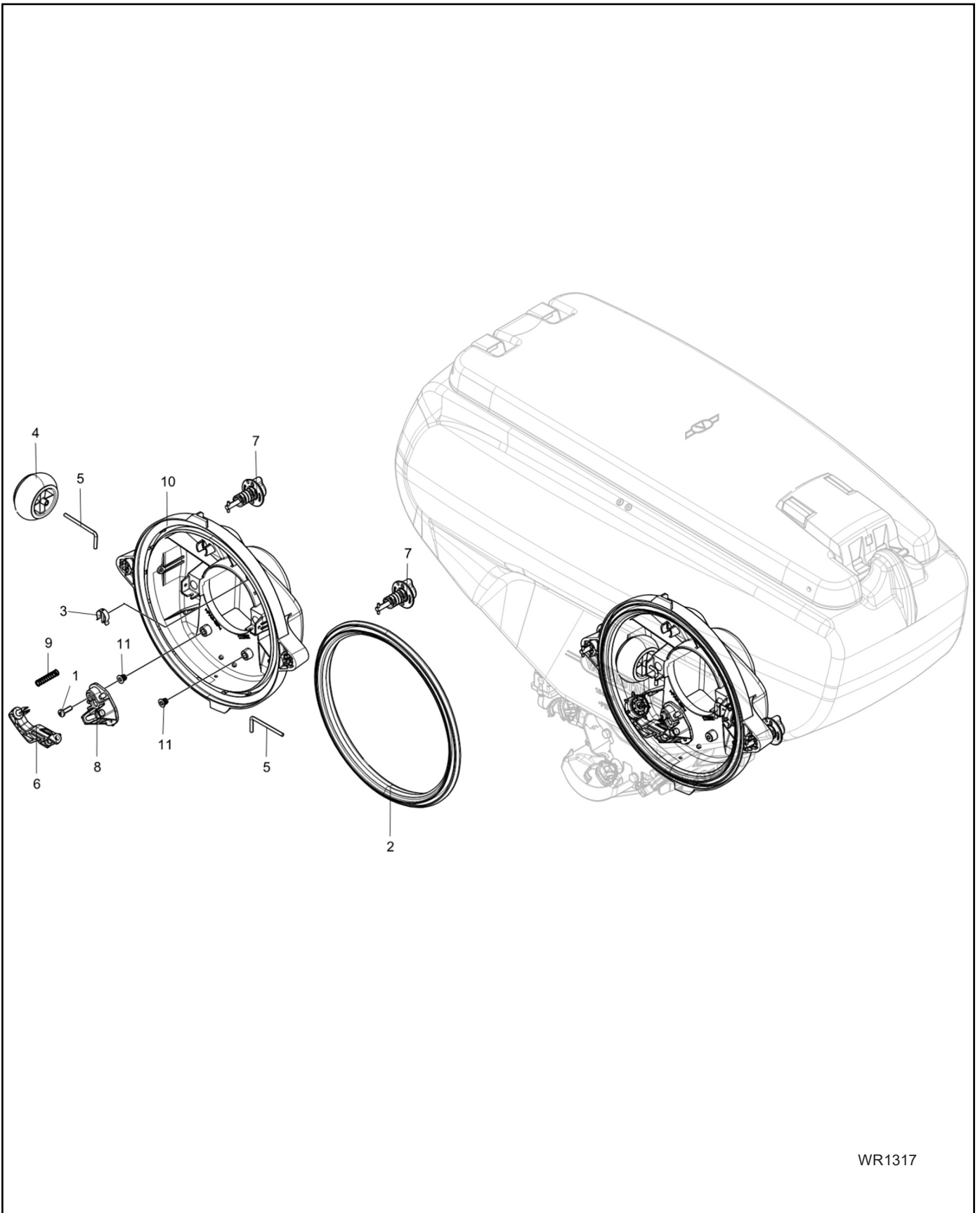
WR1316

ROW UNITS  
Seed Feed Housing

REF.	FN	Part Number	Series	Qty.	Description
1		50260501622		14	SCREW, Hex, M5 x 16 70
2		50270301212		3	SCREW, Thermoplastic, 3 x 12
3		212839		1	COVER
4		212838		1	SEAL
5		258354		1	MOTOR, Electric, 24V
6		50260301422		3	SCREW, Hex, M3 x 14 70
7		237965		1	SEAL
8		250459		1	ARM, Autosingulator
9		50110500862		1	SCREW, Set, M5 x 8
10		184749		1	GUARD
11		51010600022		1	NUT, Lock, M6 70
12		490455		2	SPRING
13		184417		1	COVER
14		183253		1	PIN
15		181815		1	FLAP
16		184024		1	ADAPTER, 70mm
17		170306		1	COVER
18		258362		1	SINGULATOR
19		258370		3	ROLLER
20		177630		1	SEAL
21		489426		1	SPRING, Leaf
22		176583		1	DIVIDER
23		491789		1	PIN
24		493484		1	SEAL
25		497381		1	HUB
26		197840		2	WASHER
27		491326		1	CIRCLIP
28		491352		1	SPRING
29		211513		1	GRILLE, Höger/RH

# ROW UNITS

## Seed Feed Housing



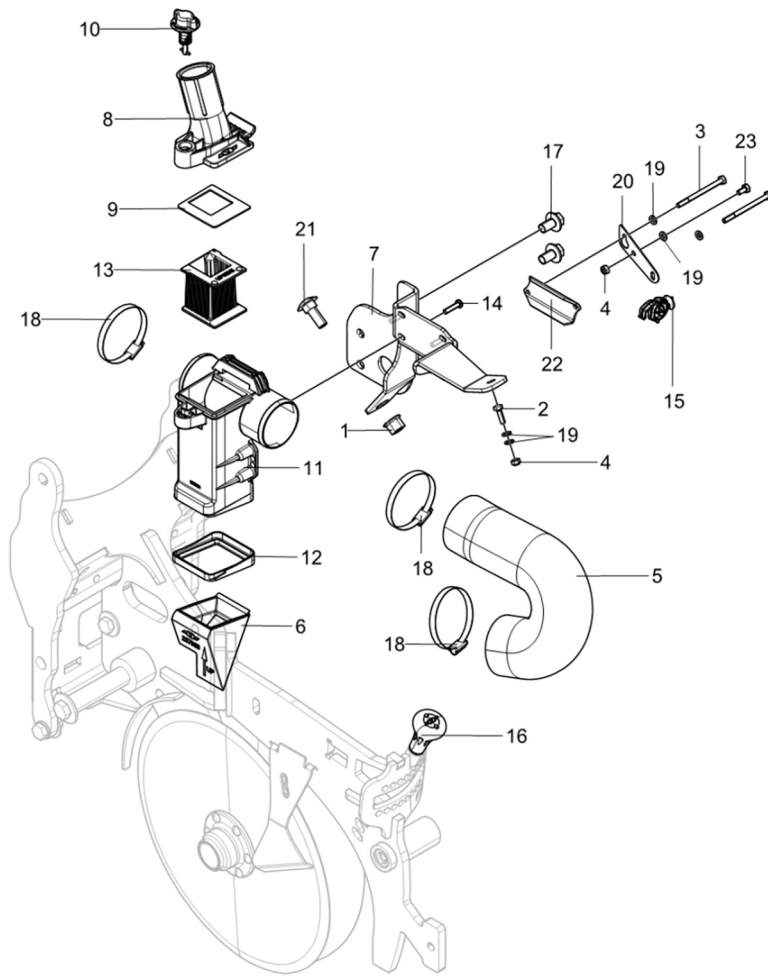
WR1317

ROW UNITS  
Seed Feed Housing

REF.	FN	Part Number	Series	Qty.	Description
1		50260501622		1	SCREW, Hex, M5 x 16 70
2		491980		1	SEAL
3		491789		1	PIN
4		493945		1	ROLLER
5		475614		2	PIN
6		492261		1	ARM
7		492251		2	KNOB
8		492260		1	BRACKET
9		490455		1	SPRING
10		176255		1	COVER, Med muttrar/With nuts
11		475509		2	NUT, Trisert 336/M5

# ROW UNITS

## Seed Hopper



WR1318

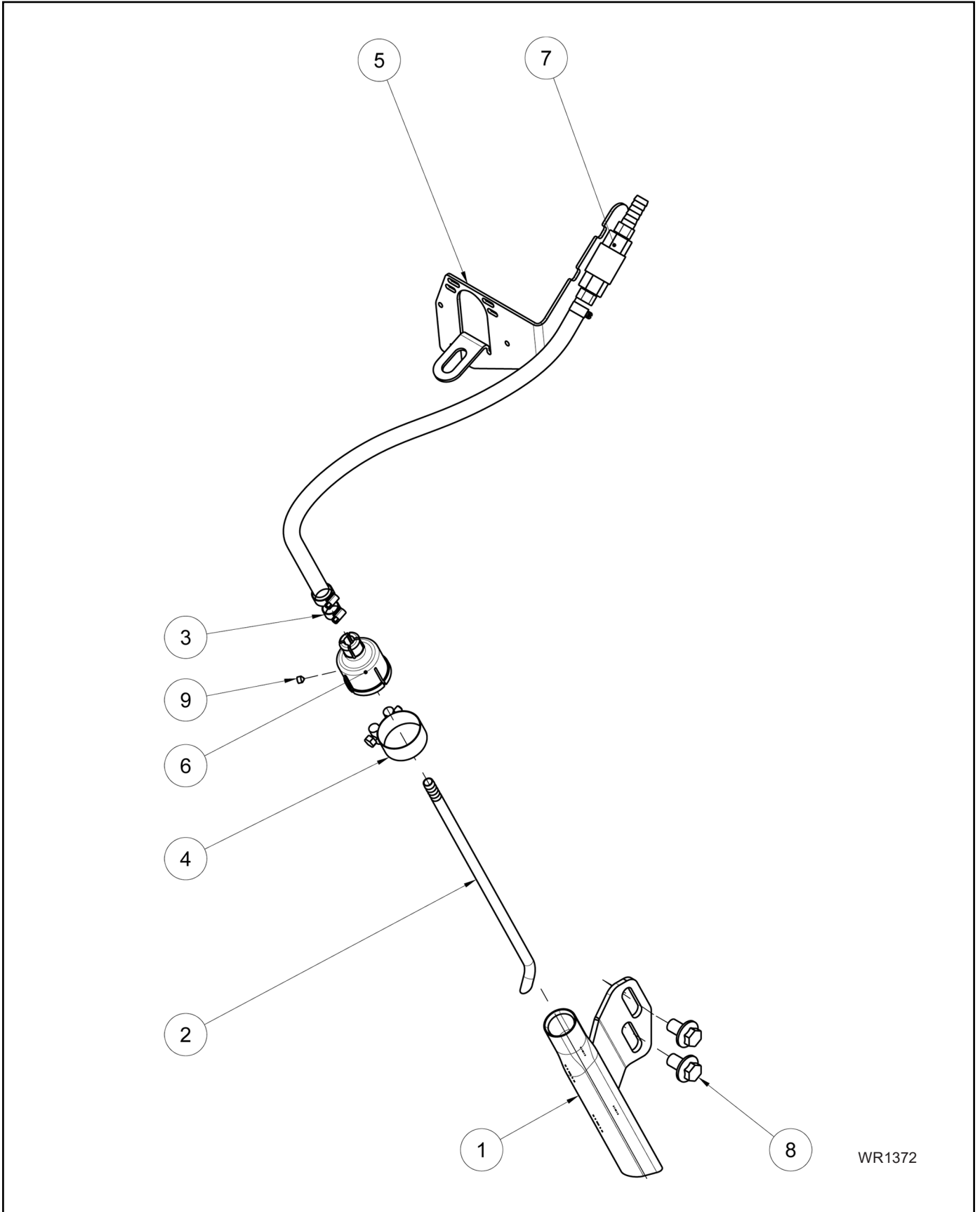
# ROW UNITS

## Seed Hopper

REF.	FN	Part Number	Series	Qty.	Description
1		51131200011		1	NUT, Flg Lock, M12 10
2		50000602022		1	BOLT, Hex, M6 x 20 70
3		152041		2	SCREW, M6 x 80
4		51010600022		2	NUT, Lock, M6 70
5		156033		1	HOSE
6		237963		1	PLUG
7		245613		1	PLATE, RH
8		242661		1	COVER, 32mm
9		180768		1	SEAL
10		492251		1	KNOB
11		180764		1	CONTAINER
12		174482		1	SEAL, Sålåda mot Såhus
13		231770		1	GRILLE
14		50270602512		4	SCREW, Thermoplastic, 6 x 25
15		265667		1	BRACKET
16		237931		1	KNOB
17		50021202021		2	BOLT, Hex, M12 x 20 100
18		164637		3	HOSE CLAMP, Ø60-80
19		52000600042		5	WASHER, 6.4 x 12 x 1.6
20		272305		1	PLATE
21		50061203521		1	BOLT, Carriage, M12 x 35 8.8
22		486871		1	CLAMP
23		50000601222		1	BOLT, Hex, M6 x 12 70

# ROW UNITS

## Fertilizer Transport



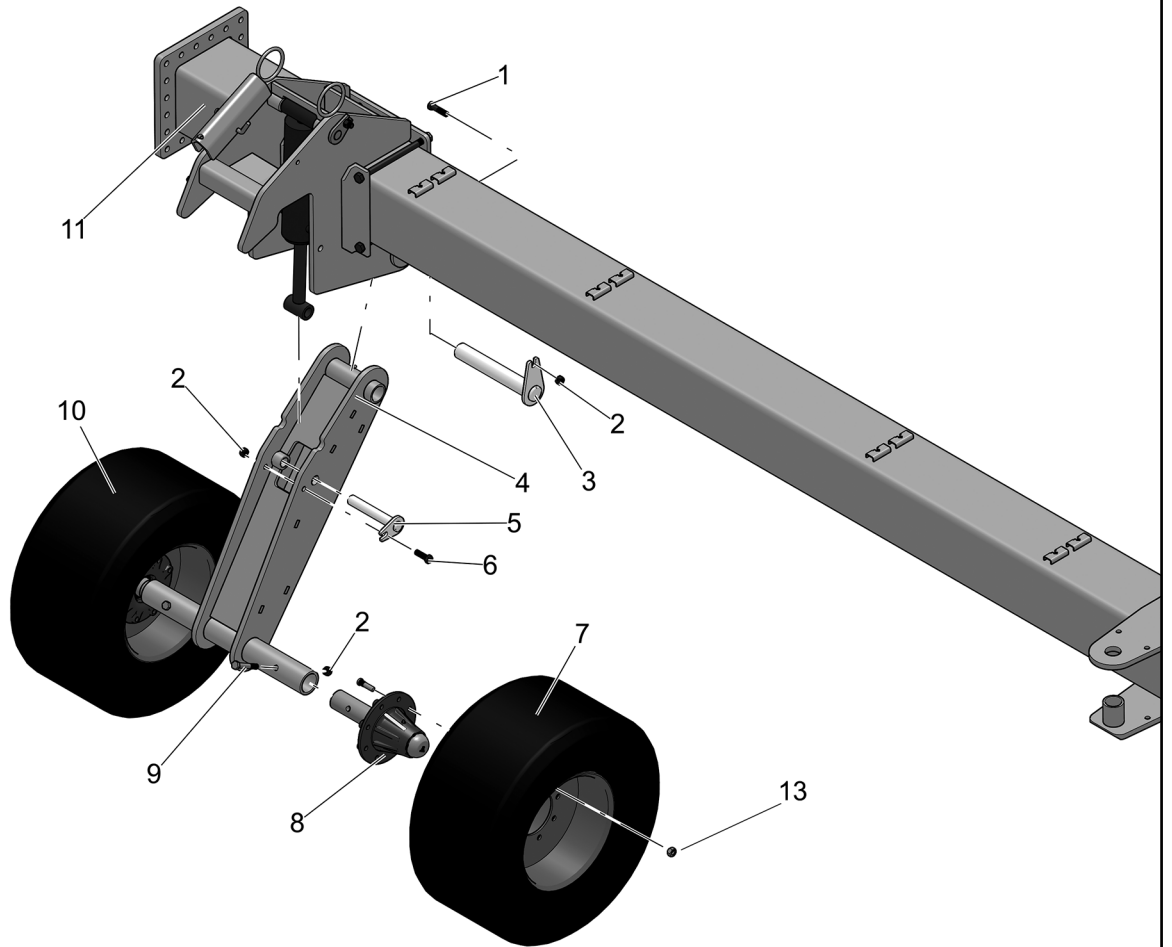


ROW UNITS  
Fertilizer Transport

REF.	FN	Part Number	Series	Qty.	Description
1		212546		1	TUBE, Seed
2		271666		1	PIPE
3		283111		2	CLAMP, Hose
4		291239		1	CLAMP, Hose
5		295658		1	PLATE
6		30009549		1	ADAPTER
7		30009921		1	FERTILIZER TRANSPORT
8		500212021		2	BOLT, Hex, M12 x 20
9		50110600662		1	SCREW, Set, M6 x 6

# SPINDLES & WHEELS

## Wheel Leg, LH & RH Wing



WR1232

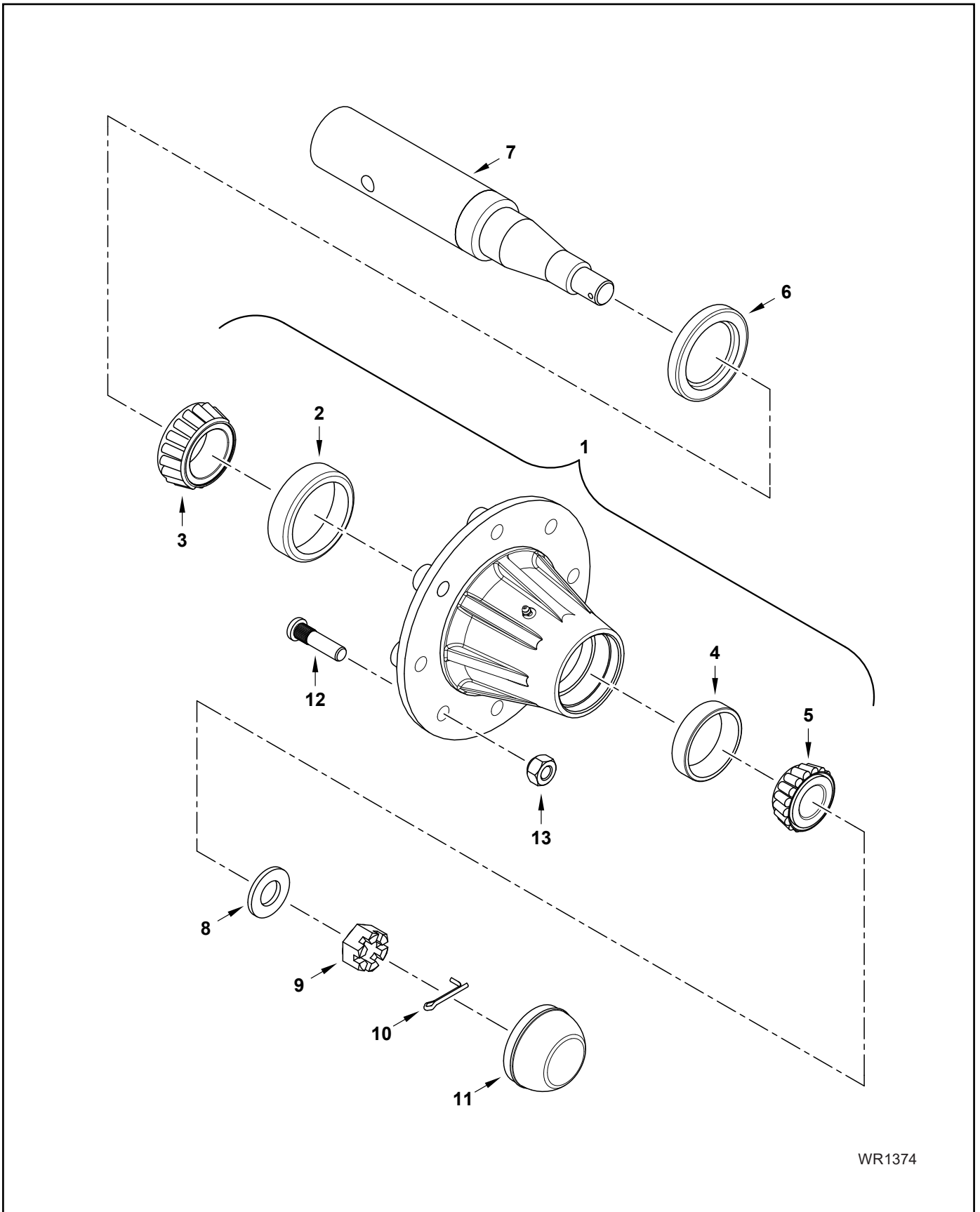
# SPINDLES & WHEELS

## Wheel Leg, LH & RH Wing

REF.	FN	Part Number	Series	Qty.	Description
1		P88409		1	BOLT, Hex, 5/8"-11NC x 2-1/2" 5ZP
2		P88369		3	NUT, Lock, 2 POS 5/8"-11NC 5YZP
3		P241329		1	PIN, 2 DIA x 12-3/4" WW Pivot
4		4000360888		1	LEG, Wing Wheel
5		P241176		1	PIN, 1-1/4" DIA x 7-3/4"
6		P88294		2	BOLT, Hex, 5/8"-11NC x 2" 5ZP
7		P241331		1	WHEEL, Assembly Left, 16.5 x 12 10PLY
		P241191		1	RIM, Skid Steer, 12 x 16.5
		P241287		1	TIRE, Skid Steer, 33 x 15.5 - 16.5NHS 12PLY
8		247987		2	HUB & SPINDLE, Assembly, 2-1/2", See Page 3-4
9		P88298		2	BOLT, Hex, 5/8"-11NC x 4" 5ZP
10		P241321		1	WHEEL, Assembly Right, 16.5 x 12 10PLY
		P241191		1	RIM, Skid Steer, 12 x 16.5
		P241287		1	TIRE, Skid Steer, 33 x 15.5 - 16.5NHS 12PLY
11		4000360894		1	WING, Right, 24R30 60'
12		4000360893		1	WING, Left, 24R30 60', Not Shown
13		W103636		8	NUT, Lug

# SPINDLES & WHEELS

## Hub & Spindle Assembly



WR1374

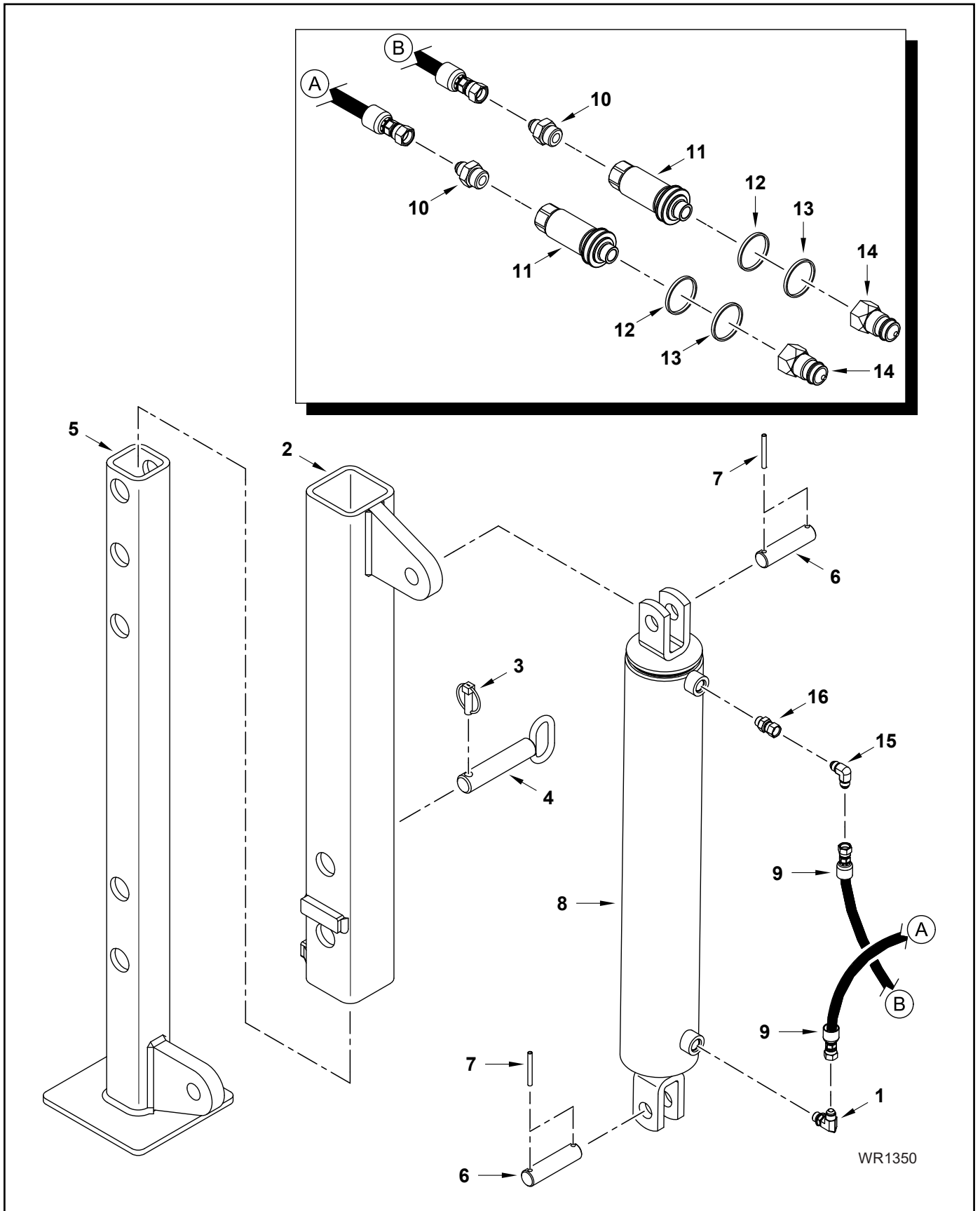
# SPINDLES & WHEELS

## Hub & Spindle Assembly

REF.	FN	Part Number	Series	Qty.	Description
		247987		1	HUB & SPINDLE ASSEMBLY, 2-1/2", Inc. 1-5
1		W1550		1	HOUSING, Inc. 2-5
2		16084		1	BEARING, Cup
3		16083		1	BEARING, Cone
4		16082		1	BEARING, Cup
5		16081		1	BEARING,
6		235298		1	SEAL
7		16156		1	SHAFT
8		64050		1	WASHER
9		88299		1	NUT, Castle
10		88301		1	PIN, Cotter
11		P400016077		1	CAP, End
12		W104213		8	BOLT
13		W103636		8	NUT, Lug

# HYDRAULIC SYSTEM

## Hydraulic Jack



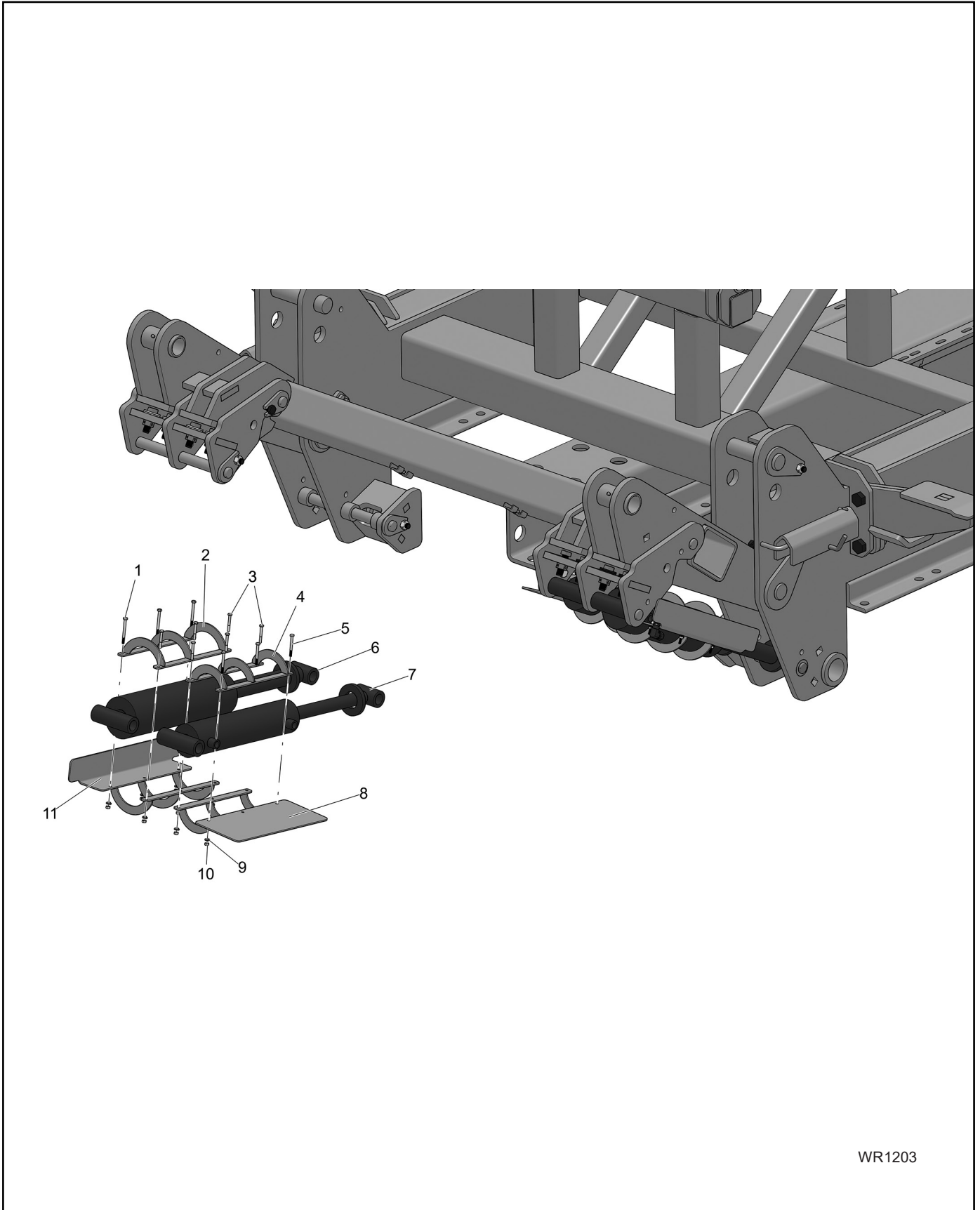
# HYDRAULIC SYSTEM

## Hydraulic Jack

REF.	FN	Part Number	Series	Qty.	Description
		4000360598		1	JACK ASSEMBLY, Hydraulic, Inc. 1-16
1		P61239		1	ELBOW, 6MJ x 6 MORB
2		P239728		1	TUBE, Jack Weldment
3		P32990		1	PIN, Click, 7/16" x 1-1/2"
4		P23011		1	PIN, Hitch, 1-1/8" x 4-3/4"
5		P239727		1	LEG, Jack Weldment, Black
6		P221714		2	PIN, Headless, 1" x 4" (2)
7		P42484		4	PIN, Roll, 1/4" x 2-1/4" ZP
8		P51241F		1	CYLINDER, Hydraulic, 3 x 24 FGS #A519CY10
		P233729		1	KIT, Seal, 3" (FGS-SK-ABC Z3Q1S)
9		P238617		2	HOSE, 3KPSI 1/4" x 120 6FJX-6FJX
10		P58543		1	ADAPTER, 8M ORB x 6MJ
11		P338801		1	HAND GRIP, O8-88 - 3/4" UNF
12		P338811		2	RING, Gray
13		336065		3	RING, Blue
14		PA36290		2	COUPLER, Quick, Male
15		P351710		4	ELBOW, 90, 6MJ x 6MJ
16		P222920		2	ADAPTER, Restrictor, 6M ORB x 6FJX (.062)

# HYDRAULIC SYSTEM

## Hydraulic Cylinder Guards, 120 Axle



WR1203



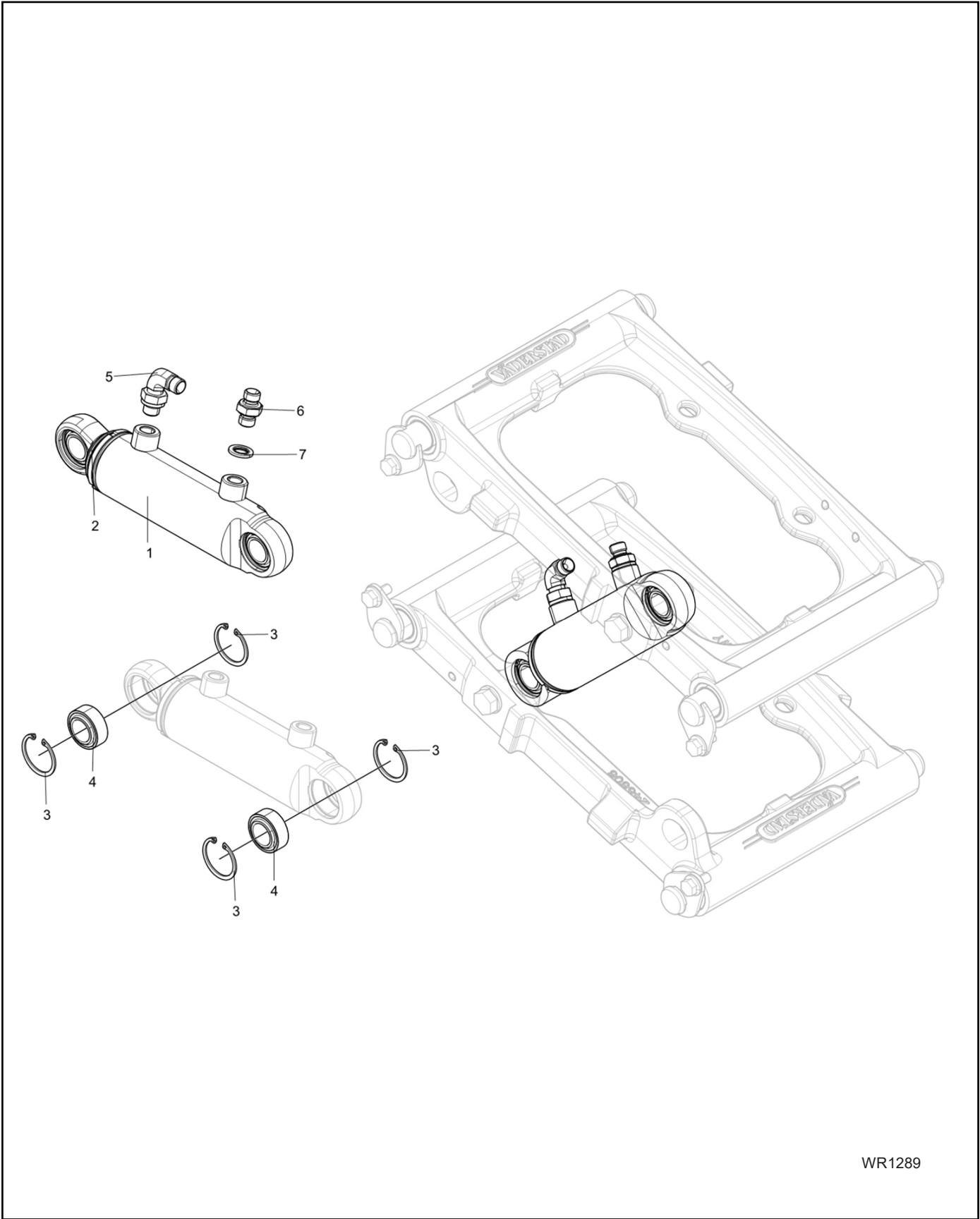
# HYDRAULIC SYSTEM

## Hydraulic Cylinder Guards, 120 Axle

REF.	FN	Part Number	Series	Qty.	Description
1		P88285		3	BOLT, Hex, 1/4"-20NC x 3" 5Z
2		4000360737		1	CLAMP, Weld Top Half Black, 4-1/2" DIA
3		P89058		6	BOLT, Hex, 1/4"-20NC x 2" 5Z
4		4000360739		1	CLAMP, Weld Top Half Black, 3-1/2" DIA
5		P88171		3	BOLT, Hex, 1/4"-20NC x 2-1/2" 5ZP
6		P241338		1	CYLINDER, Hydraulic, 4-1/2" x 12" SEQ Welded
		P242254		1	KIT, Seal, 4-1/2" x 12" SEQ CYL CTD
7		P243810		1	HYD CYL PORT ROTAT, 3-1/2" x 12" SEQ Weld
		P242256		1	KIT, Seal, 3-1/2" x 12" SEQ CYL CTD
8		4000360740		1	CLAMP, Weld Bottom Half Black, 3-1/2" DIA
9		P88262		12	WASHER, Lock, 1/4"ID (5/16" ACT) ZP
10		P88172		12	NUT, Hex, 1/4"-20NC 5ZP
11		4000360738		1	CLAMP, Weld Bottom Half Black, 4-1/2" DIA

# HYDRAULIC SYSTEM

## Hydraulic Cylinder, Row Unit



WR1289

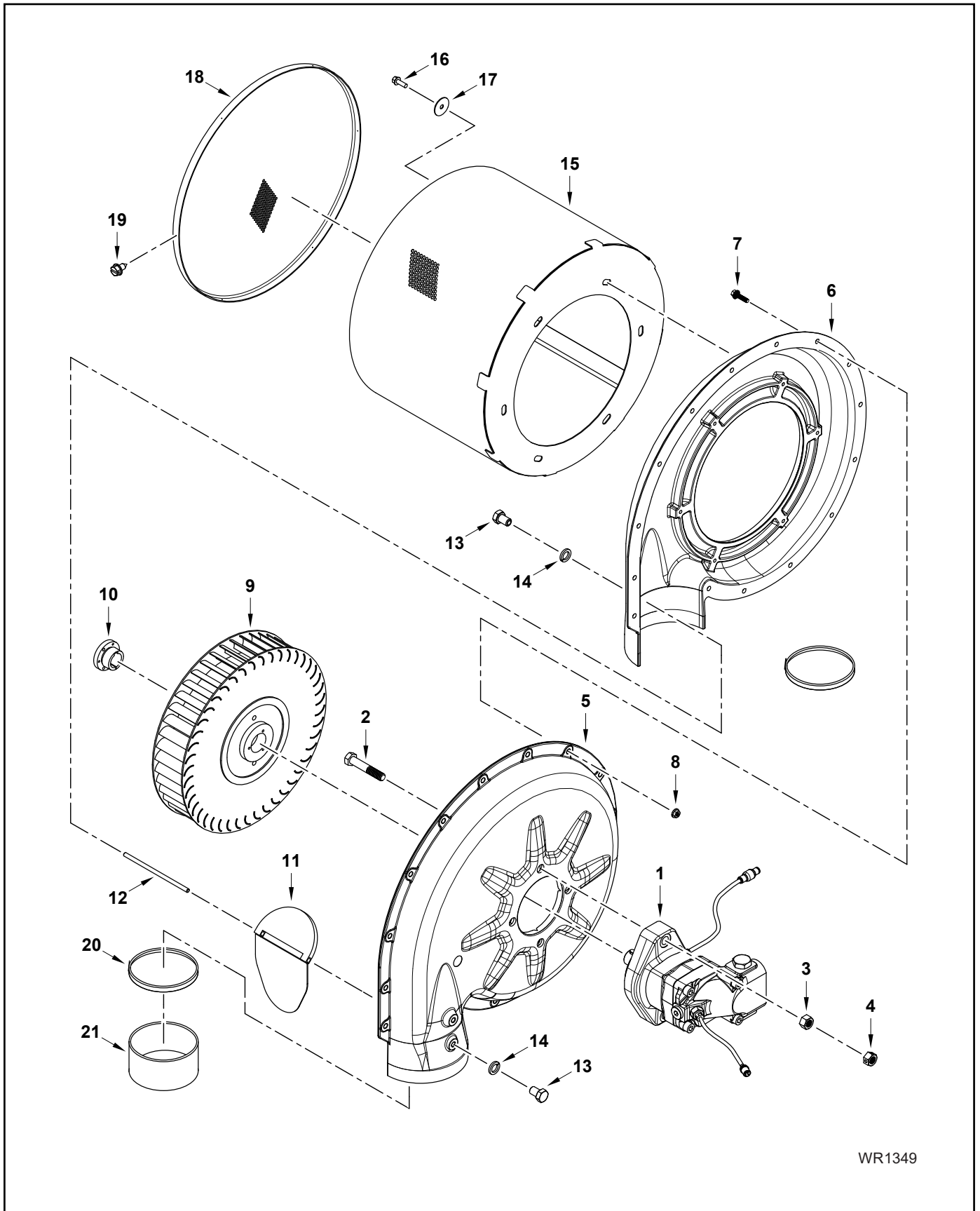
# HYDRAULIC SYSTEM

## Hydraulic Cylinder, Row Unit

REF.	FN	Part Number	Series	Qty.	Description
1		198212		1	CYLINDER, Hydraulic, 40/32 x 210/80
2		198216		1	KIT, Sealing, D:40/32
3		54013500094		4	CIRCLIP, 35
4		166625		2	BEARING, DI:20 DO:35
5		465747		1	ADAPTER, DO: 1/4" DO: 1/4" 90°
6		401790		1	ADAPTER, DO: 1/4" DO: 1/4"
7		402202		1	WASHER, Rubber Steel, DI: 1/4"

# HYDRAULIC SYSTEM

## Hydraulic Central Fill Fan



WR1349

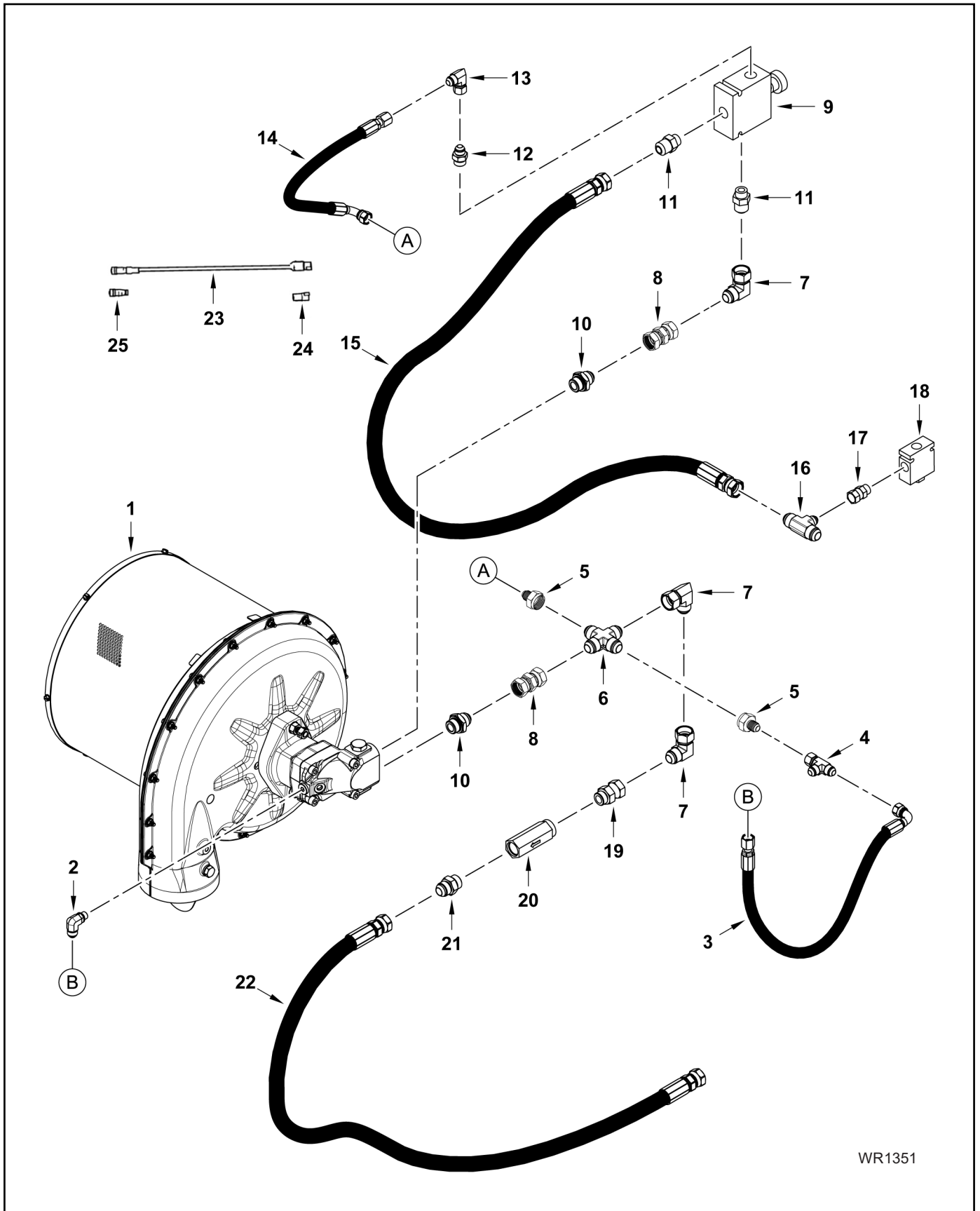
# HYDRAULIC SYSTEM

## Hydraulic Central Fill Fan

REF.	FN	Part Number	Series	Qty.	Description
		4000361529		1	FILL FAN ASSEMBLY, Central Hydraulic, Inc. 1-21
1		247758		1	HYDRAULIC MOTOR, CFS Fan, Inc. 22-24
2		88585		2	BOLT, Hex, 1/2" x 2-3/4"
3		88104		2	NUT, Hex, 1/2"-13NC, Gr. 5
4		88363		2	NUT, Lock, 2-Position
5		4000361528		1	COVER, Housing, Drive Side
6		A33521		1	COVER, Housing, Inlet Side
7		89551		15	BOLT, Hex Flg, 1/4" x 1" NC, Gr. 5
8		89548		15	NUT, Hex Flg, 1/4" NC, Gr. 5
9		A33497		1	FAN, Rotor
10		4000361526		1	BUSHING, Jax, 25mm
11		30006272		1	FAN, Baffle
12		30006266		1	ROD, Baffle Pivot
13		30006273		2	BOLT, Hex, 1/2" x 3/4", Bored
14		88303		2	WASHER, Lock, 1/2"
15		20399		1	INLET SCREEN
16		15079		6	SCREW, Hex, Flg
17		7025		1	WASHER
18		15039		1	COVER, End, Screen
19		15095		6	SCREW, Hex Flg, Self-Tapping
20		45743		1	CLAMP, Hose, 7" x 22-3/4" Lg.
21		30006271		1	TUBE, Sleeve, 6"
22		250414		1	SENSOR, Not Shown
23		250415		1	KIT, Hydraulic Sealing, Not Shown
24		250416		1	HOSE, Hydraulic Drain Tube, Not Shown

# HYDRAULIC SYSTEM

## Central Fill Fan Circuit



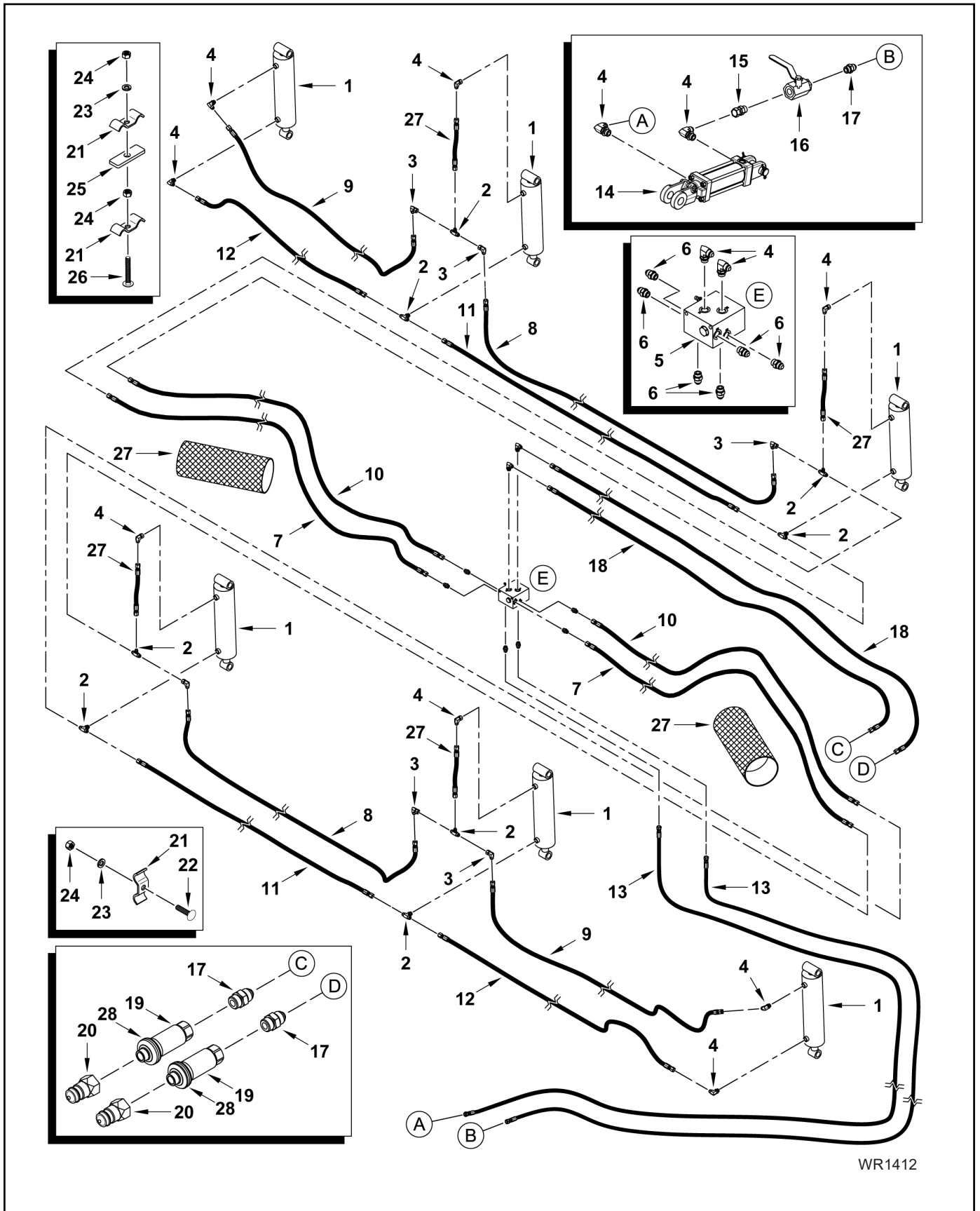
# HYDRAULIC SYSTEM

## Central Fill Fan Circuit

REF.	FN	Part Number	Series	Qty.	Description
1		4000361529		1	FAN, Motor Assy., 6", See Page 4-8
2		4000361560		1	ELBOW, 90 G 3/8" x 8MJ with 0.032 Orifice
3		30002182		1	HOSE, 3 kpsi, 1/2" x 24" 8FJX - 8FJX
4		A63015		1	TEE, 8MJ x 8FJX x 8MJ
5		351706		1	ADAPTER, 12FJ x 8MJ
6		351703		1	CROSS, 12MJ x 12MJ x 12MJ x 12MJ
7		240284		3	ELBOW, 12MJ x 12FJX
8		4000361559		1	ADAPTER, 12FJX x 12FJX
9		350435		1	CONTROL VALVE, Flow
10		30001685		2	ADAPTER, G 3/4" x 12MJ
11		351329		1	ADAPTER, 12MJ x 10M ORB
12		240367		1	ADAPTER, 8MJ x 10M ORB
13		25591		1	ELBOW, 8MJ x 8FJX
14		30002181		1	HOSE, 3kpsi, 1/2" x 18", 8FJX - 8FJX
15		30001706		1	HOSE, 3kpsi, 3/4" x 84", 12FJX - 12FJX
16		244991		1	TEE, 12MJ x 12MJ x 8MJ
17		24004		1	ADAPTER, 8M ORB x 8FJX
18		241317		1	VALVE, Check, Pilot Operated
19		244988		1	ADAPTER, 12M ORB x 12FJX
20		244975		1	VALVE, Check, In-Line
21		237160		1	ADAPTER, 12M ORB x 12MJ
22		30001706		1	HOSE, 3kpsi, 3/4" x 84", 12FJX - 12FJX
23		240630		1	HARNESS, Speed Sensor
24		420596		1	CONNECTOR, 4p
25		162974		1	CONNECTOR, 4s

# HYDRAULIC SYSTEM

## Tilt Circuit





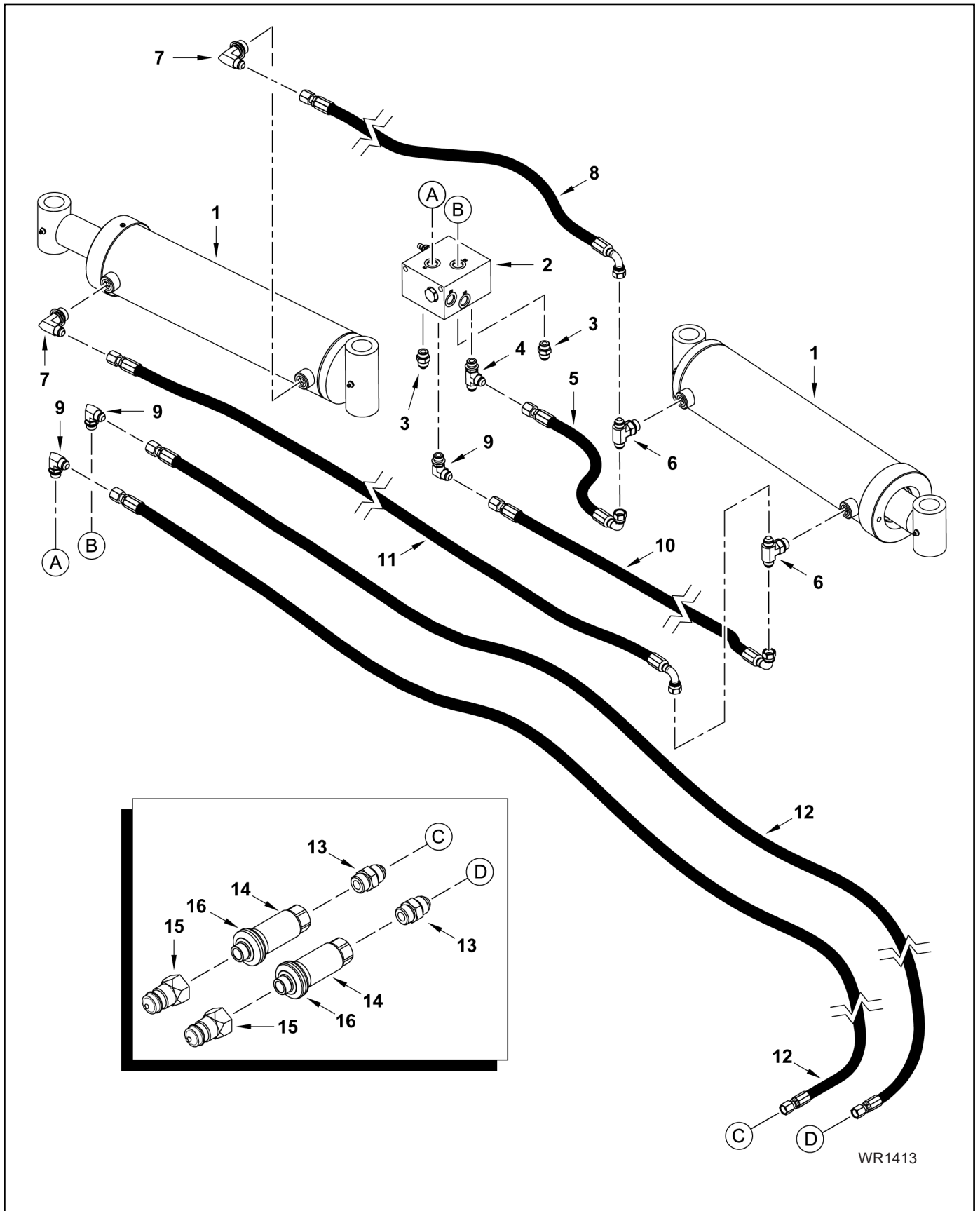
# HYDRAULIC SYSTEM

## Tilt Circuit

REF.	FN	Part Number	Series	Qty.	Description
1		247349		6	CYLINDER, Hydraulic Tilt
		242258		UAR	KIT, Seal, Hydraulic Tilt Cyl.
2		56534		8	TEE, 8MJ x 8MJ x 8M ORB
3		25591		6	ELBOW, 8MJ x 8FJX
4		25580		8	ELBOW, 8M ORB x 8MJ
5		360360		1	VALVE BLOCK, Tilt & Fold
6		24024		6	ADAPTER, 8M ORB x 8MJ
7		30025761		2	HOSE, 3kpsi, 0.50 x 130", 8FJX - 8FJX
8		30025761		2	HOSE, 3kpsi, 0.50 x 130", 8FJX - 8FJX
9		30025759		2	HOSE, 3kpsi, 0.50 x 110", 8FJX - 8FJX
10		30025761		2	HOSE, 3kpsi, 0.50 x 130", 8FJX - 8FJX
11		30025761		2	HOSE, 3kpsi, 0.50 x 130", 8FJX - 8FJX
12		30001701		2	HOSE, 3kpsi, 1/2" x 100", 8FJX - 8FJX
13		30001489		2	HOSE, 3kpsi, 3/8" x 240", 8FJX - 8FJX
14		B112426		1	CYLINDER, Hydraulic, Tie Rod
15		24004		1	ADAPTER, 8M ORB x 8FJX
16		A35554		1	VALVE, Ball
17		24024		3	ADAPTER, 8M ORB x 8MJ
18		30001487		2	HOSE, 3kpsi, 1/2" x 534", 8FJX - 8FJX
19		338801		2	GRIP, Hand, Red/Gray
20		A36290		2	COUPLER, Quick
21		13215		24	CLAMP, Tube
22		89375		4	BOLT, Carriage, 3/8"-16NC x 1-1/2", Gr. 5
23		88362		14	WASHER, Lock, 3/8"
24		88103		24	NUT, Lock, 3/8"
25		15543		10	PLATE, Spacer
26		88493		10	BOLT, Carriage, 3/8"-16NC x 2-1/2" Gr. 5
27		30025758		4	HOSE, 3kpsi, 0.50 x 13", 8FJX - 8FJX
28		336066		2	RING, Red
		338811		2	RING, Gray

# HYDRAULIC SYSTEM

## Fold Circuit



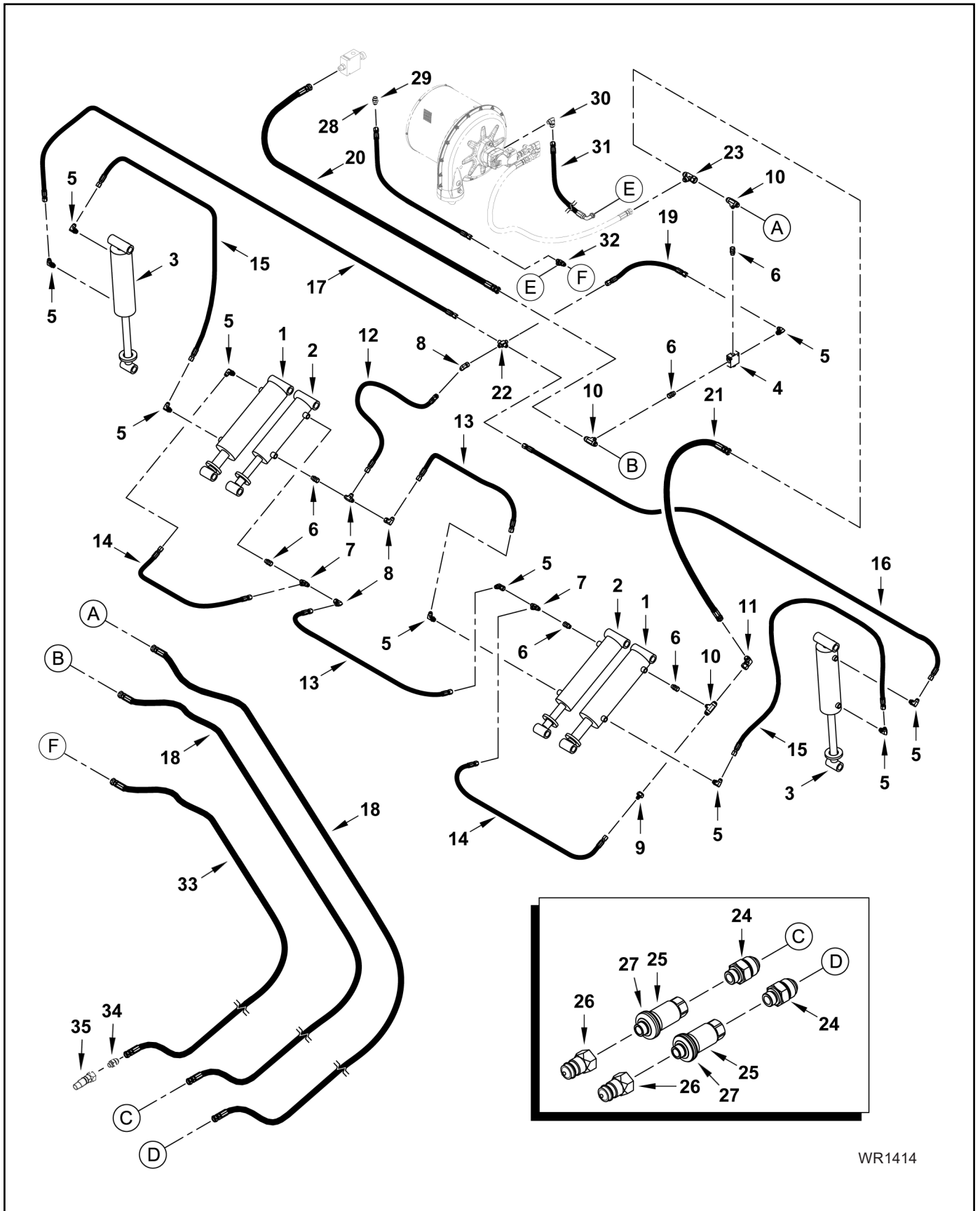
# HYDRAULIC SYSTEM

## Fold Circuit

REF.	FN	Part Number	Series	Qty.	Description
1		353240		2	CYLINDER, Hyrdraulic, Fold
2		360360		1	VALVE, Tilt & Fold Sequence
3		24024		2	ADAPTER, 8M ORB x 8MJ
4		A63016		1	TEE, 8M ORB x 8MJ x 8MJ
5		30002181		1	HOSE, 3kpsi, 1/2" x 18", 8FJX - 8FJX 90
6		355420		2	TEE, 8MJ x 8MJ x 12M ORB
7		355419		2	ELBOW, 90, 8MJ x 12M ORB
8		30001688		1	HOSE, 3kpsi, 1/2" x 43", 8FJX - 8FJX 90
9		25580		3	ELBOW, 90, 8M ORB x 8MJ
10		30001499		1	HOSE, 3kpsi, 1/2" x 56.5", 8FJX - 8FJX 90
11		30001500		1	HOSE, 3kpsi, 1/2" x 108", 8FJX - 8FJX
12		30001487		2	HOSE, 3kpsi, 1/2" x 534", 8FJX - 8FJX
13		24024		2	ADAPTER, 8M ORB x 8MJ
14		338801		2	GRIP, Hand, Quick Coupler, Red/Gray
15		A36290		2	COUPLER, Quick, Male
16		336066		UAR	RING, Red
		338811		UAR	RING, Gray

# HYDRAULIC SYSTEM

## Main Lift Circuit



WR1414

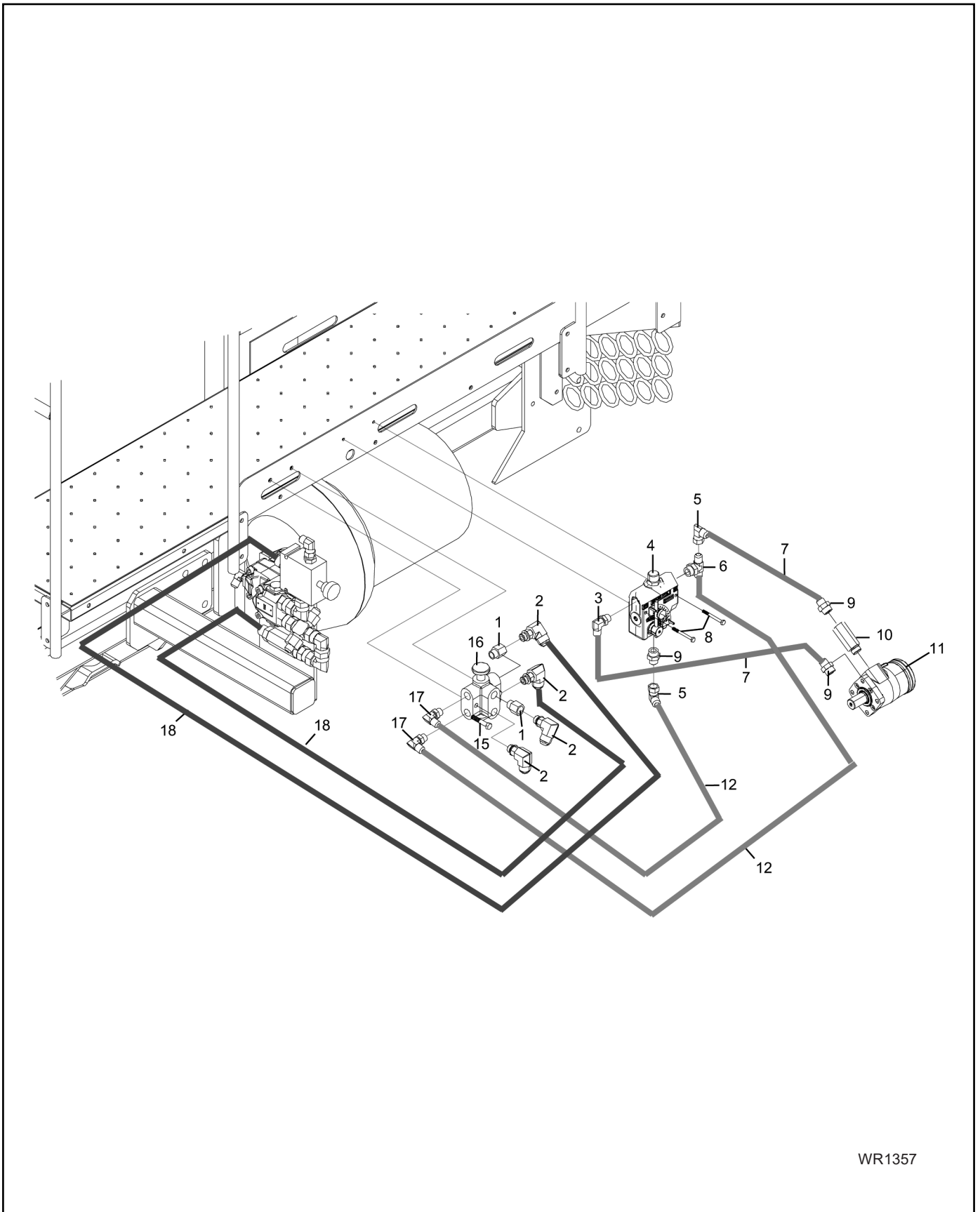
# HYDRAULIC SYSTEM

## Main Lift Circuit

REF.	FN	Part Number	Series	Qty.	Description
1		241338		2	CYLINDER, Hyd., Lift, Center Outboard, 4-1/2" x 12"
		242254		UAR	KIT, Seal, Center Outboard Lift Cyl.
2		243810		2	CYLINDER, Hyd., Lift, Center Inboard, 3-1/2" x 12"
		242256		UAR	KIT, Seal, Center Inboard Cyl.
3		241339		2	CYLINDER, Hyd., Lift, Outer Wing, 4" x 12"
		242255		UAR	KIT, Seal, Outer Wing Cyl.
4		241317		1	VALVE, Check, Pilot
5		25580		9	ELBOW, 90, 8M ORB x 8MJ
6		24004		6	ADAPTER, 8M ORB x 8FJX
7		13238		3	TEE, 8MJ x 8MJ x 8MJ
8		25591		3	ELBOW, 90, 8MJ x 8FJX
9		351706		1	ADAPTER, 12FJ x 8MJ
10		244991		3	TEE, 12MJ x 12MJ x 8MJ
11		240284		1	ELBOW, 90, 12MJ x 12FJX
12		30001836		1	HOSE, 3kpsi, 1/2" x 75", 8FJX - 8FJX
13		30001832		2	HOSE, 3kpsi, 1/2" x 80", 8FJX - 8FJX
14		30001830		2	HOSE, 3kpsi, 1/2" x 26", 8FJX - 8FJX
15		30001829		2	HOSE, 3kpsi, 1/2" x 387", 8FJX - 8FJX
16		30001831		1	HOSE, 3kpsi, 1/2" x 353", 8FJX - 8FJX
17		30001829		2	HOSE, 3kpsi, 1/2" x 387", 8FJX - 8FJX
18		30001798		2	HOSE, 3kpsi, 3/4" x 485", 12FJX - 12FJX
19		30025760		1	HOSE, 3kpsi, 1/2" x 19", 8FJX - 8FJX
20		30001706		1	HOSE, 3kpsi, 3/4" x 84", 12FJX - 12FJX
21		30010094		1	HOSE, 3kpsi, 3/4" x 68", 12FJX - 12FJX
22		15910		1	CROSS, 8MJ x 8MJ x 8MJ x 8MJ
23		A59888		1	TEE, 12MJ x 12FJ x 12 MJ
24		30006295		2	ADAPTER, 8M ORB x 12MJ
25		338801		2	GRIP, Hand, Quick Coupler
26		A36290		2	COUPLER, Quick, Male
27		338812		1	RING, Yellow
		338511		1	RING, Gray
28		30002115		1	HOSE, 3kpsi, 1/2" x 82", 8FJV - 8FJV
29		4000360987		1	ADAPTER, G 3/8" x 8MJ
30		400361561		1	ELBOW, 90, 8MJ x 6M GRB
31		30002116		1	HOSE, 3kpsi, 1/2" x 55", 8FJX - 8FJX 90
32		13238		1	TEE, 8MJ x 8M x 8MJ
33		30002178		1	HOSE, 3kpsi, 1/2" x 487", 8FJX - 8FJX
34		24024		1	ADAPTER, 8M ORB x 8MJ
35		359433		1	FITTING, Case Drain, 3/8"

# HYDRAULIC SYSTEM

## Conveyor Hydraulics



WR1357

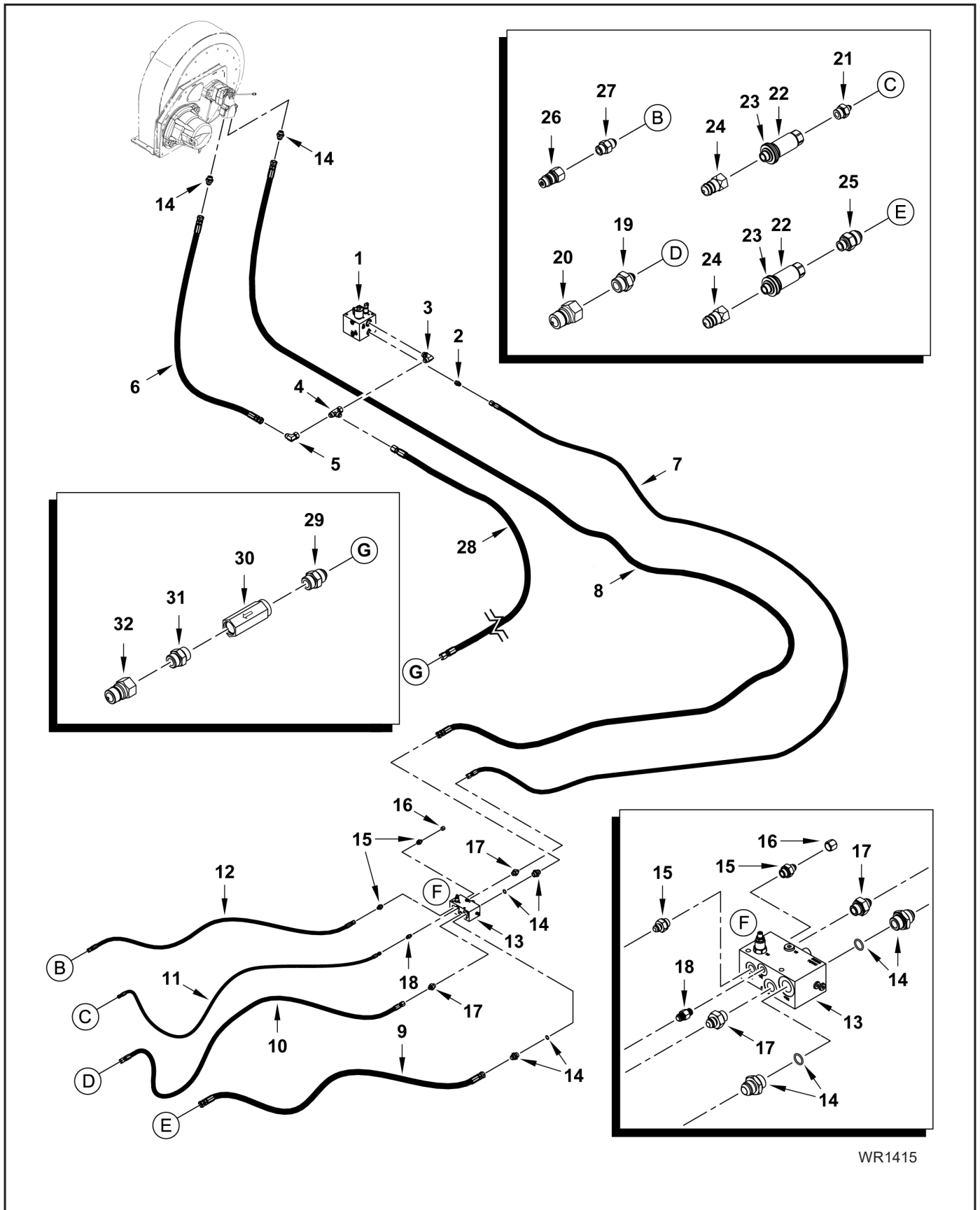
# HYDRAULIC SYSTEM

## Conveyor Hydraulics

REF.	FN	Part Number	Series	Qty.	Description
1		P355417		2	ADAPTER, 8MORB-8FORB
2		P355410		4	ELBOW, 12MJ x 8MORB
3		PA65901		1	FITTING, Elbow, 10MB-8MJ-90
4		P355408		1	CONTROL VALVE, Flow, FCR51
5		P25591		2	ELBOW, 8MJ x 8FJX
6		P240368		1	TEE, 8MJ x 8MJ x 10 MORB
7		P1015802		2	HOSE, .50 x 050 8FJX - 8FJX
8		P88171		2	BOLT, Hex, 1-4-20NC x 2-1/2" 5ZP
9		P240367		3	ADAPTER, 8MJ x 10MORB
10		P355409		1	CHECK VALVE, Inline, FC-10
11		P355407		1	MOTOR, Hydraulic, Char Lynn, 101-1010
12		PA66607		2	HOSE, .50 x 029 8FJX - 8FJX
15		P89011		1	BOLT, Hex, 3/8"-16NC x 2" 5Z
16		P222028		1	SELECTOR VALVE, Double
17		P25580		2	ELBOW, 8MORB x 8MJ
18		P355418		2	HOSE, 3KPSI 3/4" x 60 12FJX - 12FJX

# HYDRAULIC SYSTEM

## Weight Distribution - Wing Down Pressure Circuit





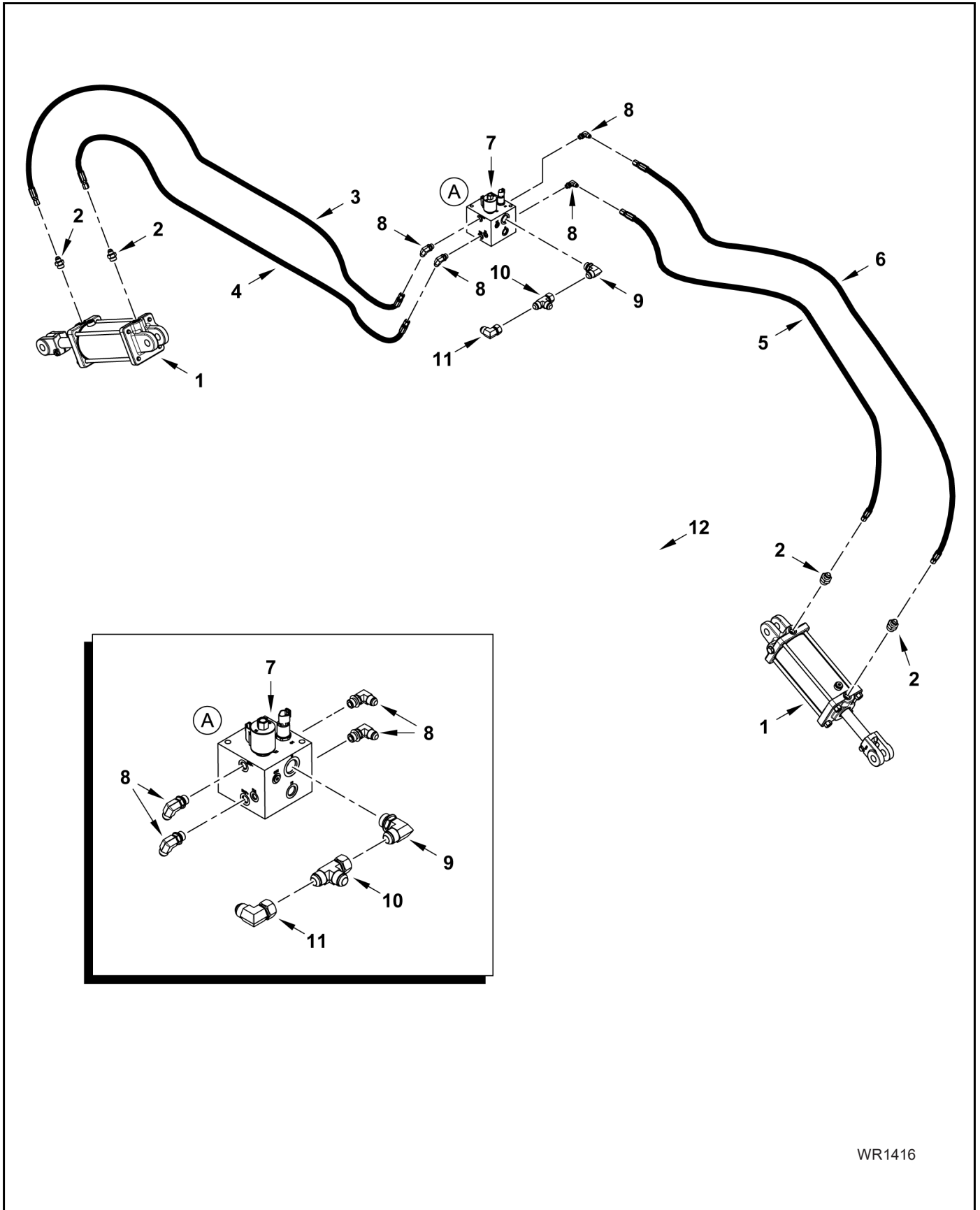
# HYDRAULIC SYSTEM

## Weight Distribution - Wing Down Pressure Circuit

REF.	FN	Part Number	Series	Qty.	Description
1		4000360881		1	MANIFOLD, Weight Transfer
2		24024		1	ADAPTER, 8M ORB x 8MJ
3		244989		1	ELBOW, 90, 12M ORB x 12MJ
4		A59888		1	TEE, 12MJ X 12FJ
5		240284		1	ELBOW, 90, 12MJ x 12FJX
6		30001692		1	HOSE, 3 KPSI, 3/4 x 72", 12FJX - 12FJX
7		30001448		1	HOSE, 3 KPSI, 1/2 x 407", 8FJX - 8FJX
8		30001449		1	HOSE, 3 KPSI, 3/4 x 473", 12FJX - 12FJX
9		30001435		1	HOSE, 3 KPSI, 3/4 x 108", 12FJX - 12FJX
10		30019175		1	HOSE, 3 KPSI, 1/2 x 108", 8FJX - 8FJX
11		30019176		1	HOSE, 3 KPSI, 1/4 x 108", 4FJX - 4FJX
12		30001436		1	HOSE, 3 KPSI, 3/8 x 108", 6FJX - 6FJX
13		30001522		1	BLOCK, Power Beyond
14		30001685		2	ADAPTER, G 3/4" x 12MJ
15		30001683		2	ADAPTER, G 3/8" x 6MJ
16		30006278		1	CAP, Nut, 6FJ
17		30001684		1	ADAPTER, G 1/2 x 8MJ
18		30001682		1	ADAPTER, G 1/4 x 6MJ
19		245235		1	ADAPTER, 12M ORB x 8MJ
20		A69120		1	FITTING, Coupler, Male, Low Pressure Return, 3/4"
21		30006860		1	ADAPTER, 8M ORB x 4MJ
22		338801		2	GRIP, Hand, Quick Coupler
23		4000335598		UAR	RING, Black
23		338811		UAR	RING, Gray
24		A36290		2	COUPLER, Quick, 8 FORB
25		30006295		1	ADAPTER, 8M ORB x 12MJ
26		4000360988		1	COUPLER, Quick, 1/4" Male x 9/16" - 18 FORB
27		67140		1	ADAPTER, 6MJ x 6M ORB
28		30001798		1	HOSE, 3kpsi, 3/4" x 485", 12FJX - 12FJX
29		237160		1	ADAPTER, 12M ORB x 12MJ
30		244975		1	VALVE, Check, In-line
31		332942		1	ADAPTER, 12MB - 12MB
32		A69120		1	FITTING, Low Pressure Return, 3/4"

# HYDRAULIC SYSTEM

## Weight Distribution - Wing Down Pressure



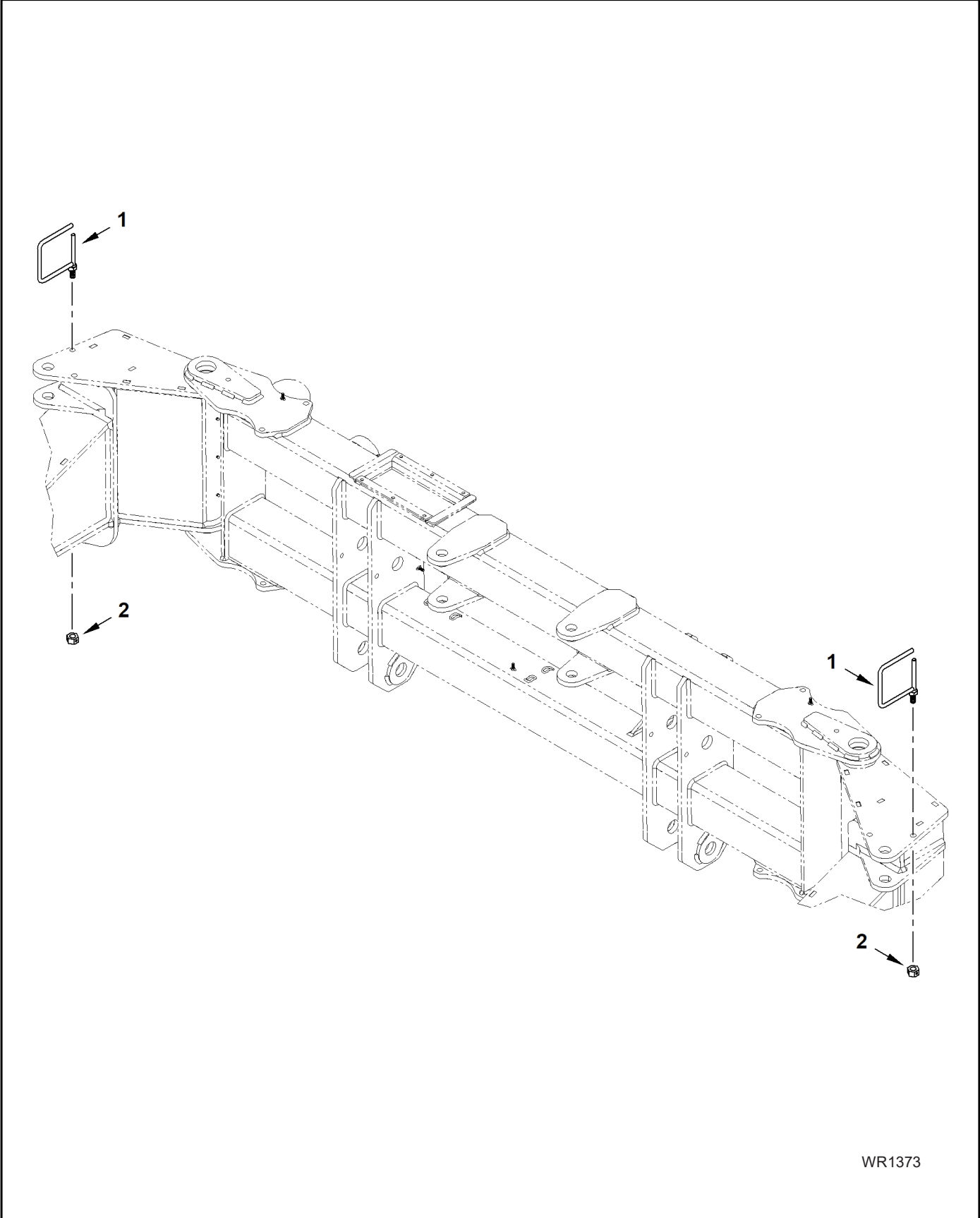
# HYDRAULIC SYSTEM

## Weight Distribution - Wing Down Pressure

REF.	FN	Part Number	Series	Qty.	Description
1		241624		2	CYLINDER, Sequence, 5 x 8
2		58543		4	ADAPTER, 8M ORB x 6MJ
3		30001805		1	HOSE, 3/8 x 143", 6FJX - 6FJX
4		30001806		1	HOSE, 3/8 x 135", 6FJX - 6FJX
5		30001804		1	HOSE, 3/8 x 86", 6FJX - 6FJX
6		30001803		1	HOSE, 3/8 x 104", 6FJX - 6FJX
7		4000360881		1	MANIFOLD, Weight Transfer
8		61239		4	ELBOW, 90, 6M ORB x 6MJ
9		244989		1	ELBOW, 90, 12M ORB x 12MJ
10		A59888		1	TEE, 12MJ x 12MJ x 12MJ
11		240284		1	ELBOW, 90, 12MJ x 12FJX

# HYDRAULIC SYSTEM

## Hydraulic Hose Brackets



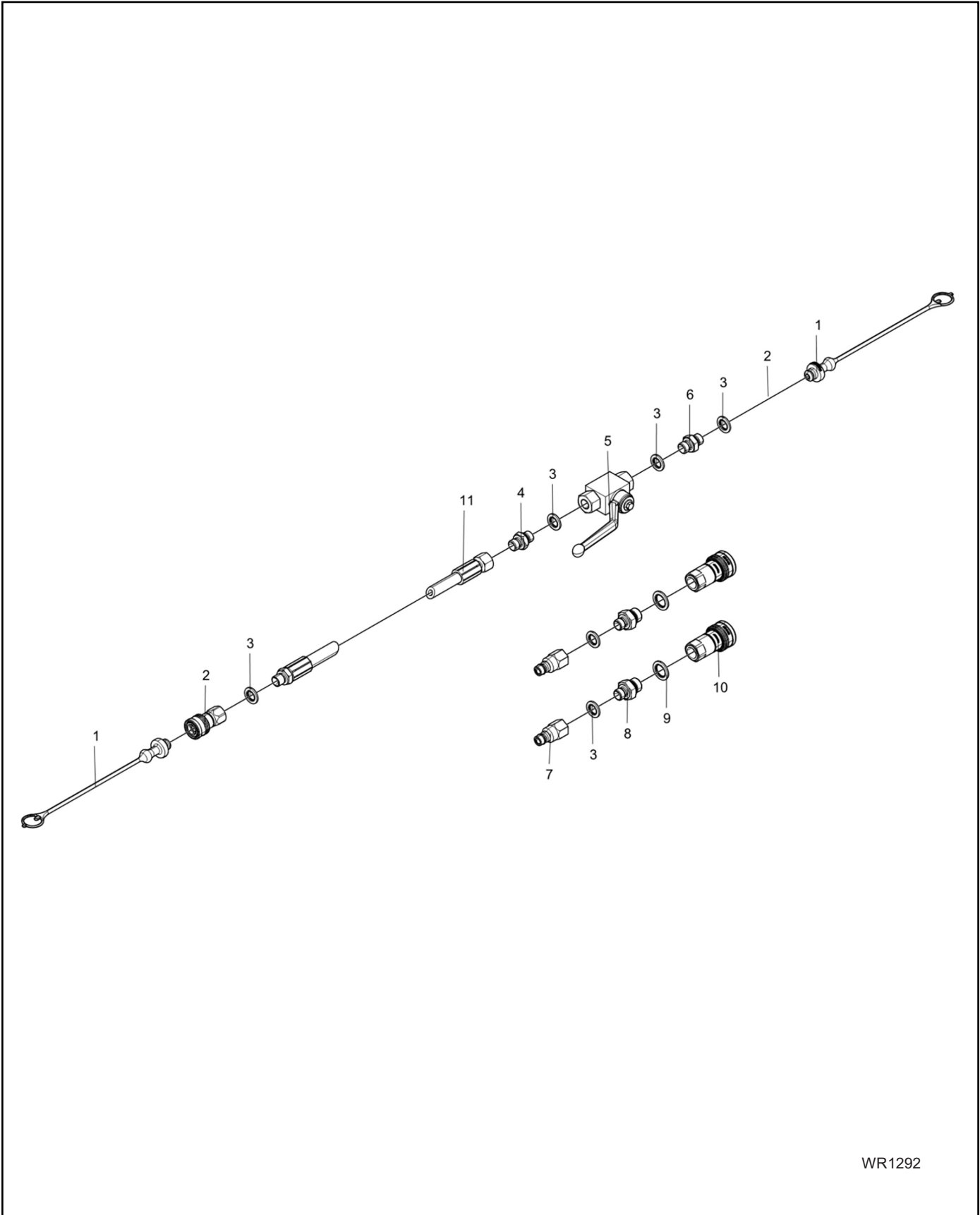
# HYDRAULIC SYSTEM

## Hydraulic Hose Brackets

REF.	FN	Part Number	Series	Qty.	Description
1		4000360750		2	BRACKET, Hydraulic Hose Weld, 6 x 6 Short Belt
2		P88356		2	NUT, Lock, 2 POS 3/4"-10NC 5YZP

# HYDRAULIC SYSTEM

## Hydraulic Hose Bleed Kit



WR1292

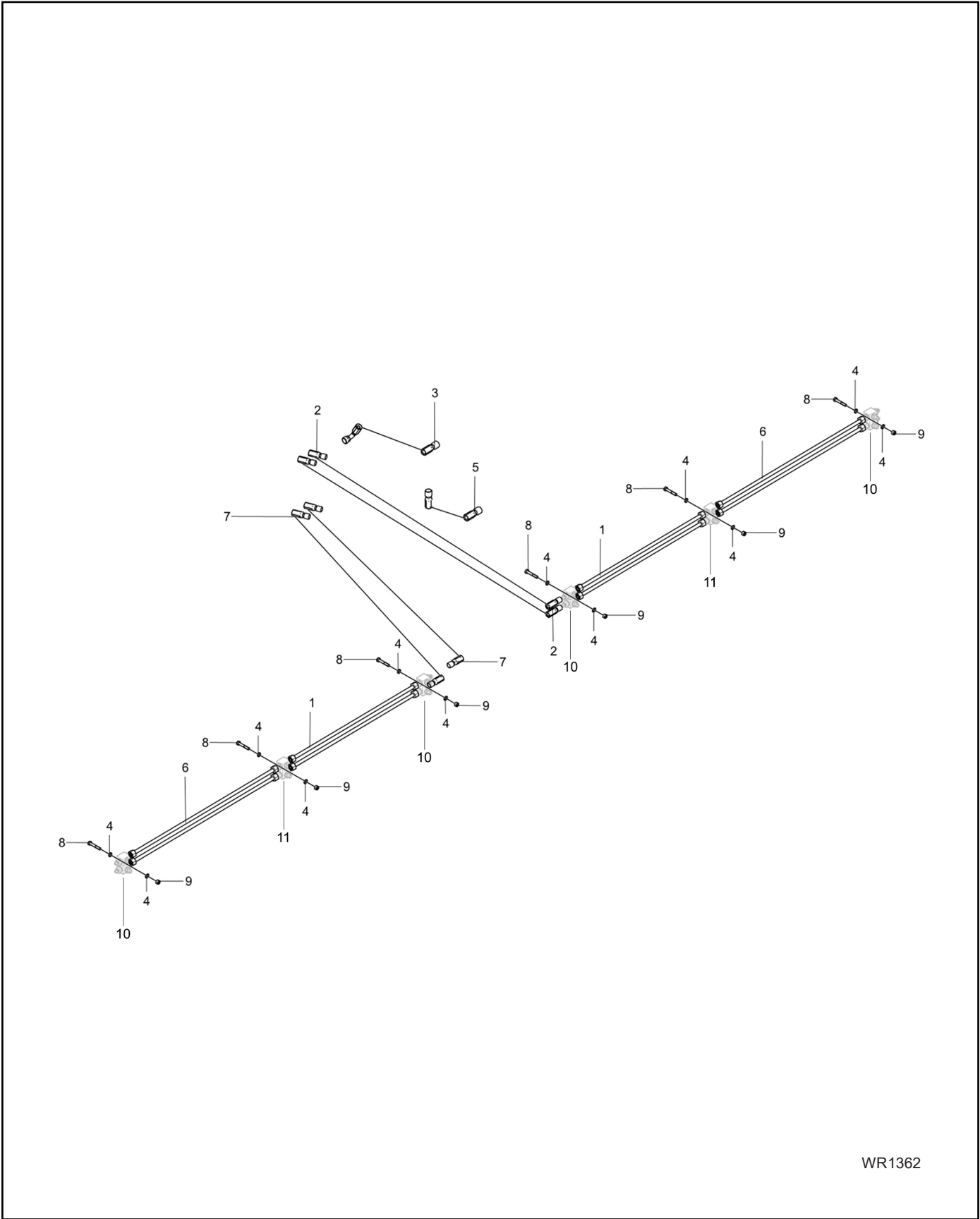
# HYDRAULIC SYSTEM

## Hydraulic Hose Bleed Kit

REF.	FN	Part Number	Series	Qty.	Description
1		208512		2	PLUG, Rubber, 1/4"
2		167653		2	COUPLER, Quick, Female, 1/4" x G - 1/4" BSP
3		402202		6	WASHER, Rubber Steel, 1/4"
4		406463		1	ADAPTER, RSTR G -1/4" BSP x G -1/4" BSP
5		414223		1	VALVE, Ball, 1/4"
6		401790		1	ADAPTER, G 1/4" BSP x G 1/4" BSP
7		162544		2	COUPLER, Quick, Male, 1/4" x G 1/4" BSP
8		401789		2	ADAPTER, G 3/8"-BSP x G 1/4 BSP
9		402203		2	WASHER, Rubber, 3/8"
10		218961		2	COUPLER, Quick, Female, 3/8" x G 3/8" BSP
11		218959		1	HOSE, Hydraulic 0.25 x 0.25 G 1/4" BSP SWSB x G 1/4" BSP

# HYDRAULIC SYSTEM

## Hydraulics, Row Unit, Center Section



WR1362



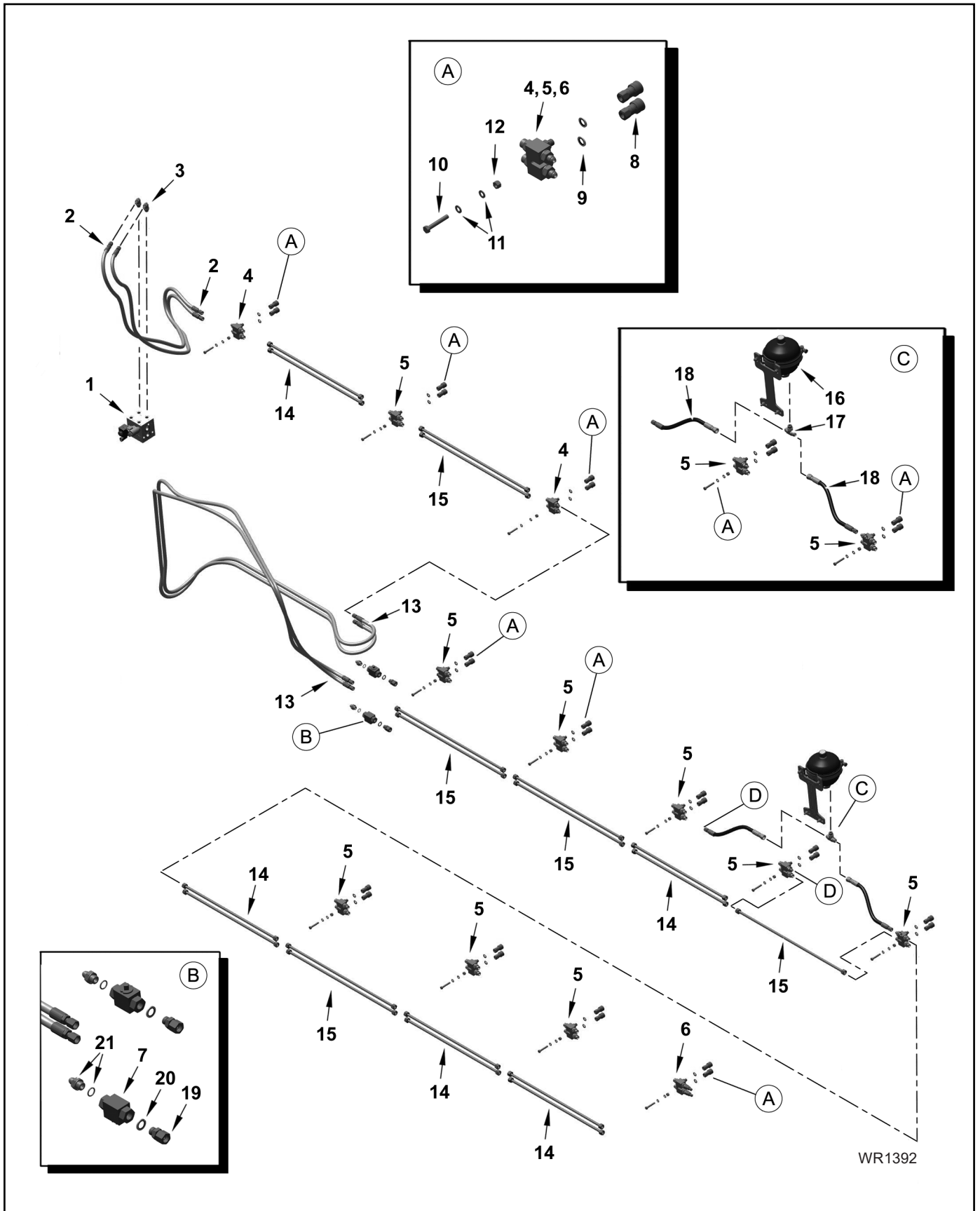
# HYDRAULIC SYSTEM

## Hydraulics, Row Unit, Center Section

REF.	FN	Part Number	Series	Qty.	Description
1		197077		4	TUBING, Hydraulic, 636mm
2		30015890		2	HOSE, Hydraulic, 3 KPSI, 3/8" x 79" 6FJX - 6FJX
3		30018177		1	HOSE, Hydraulic, 3 KPSI, 3/8" x 46" 8FJX - 6FJX 90
4		52000800041		12	WASHER, 8.4 x 16 x 1.6mm
5		30010140		1	HOSE, Hydraulic, 3 KPSI 1/2" x 16" 8FJX - 8FJX
6		198464		4	TUBING, Hydraulic, 736mm Lg.
7		30001478		2	HOSE, Hydraulic, 3KPSI 3/8" x 67" 6FJX - 6FJX
8		50000805021		6	BOLT, Hex, M8 x 50 8.8
9		51010800021		6	NUT, Lock, M8 8
10		30001486		4	BLOCK, Hydraulic
11		198462		2	BLOCK, Hydraulic

# HYDRAULIC SYSTEM

## Row Unit Circuit, Left Section



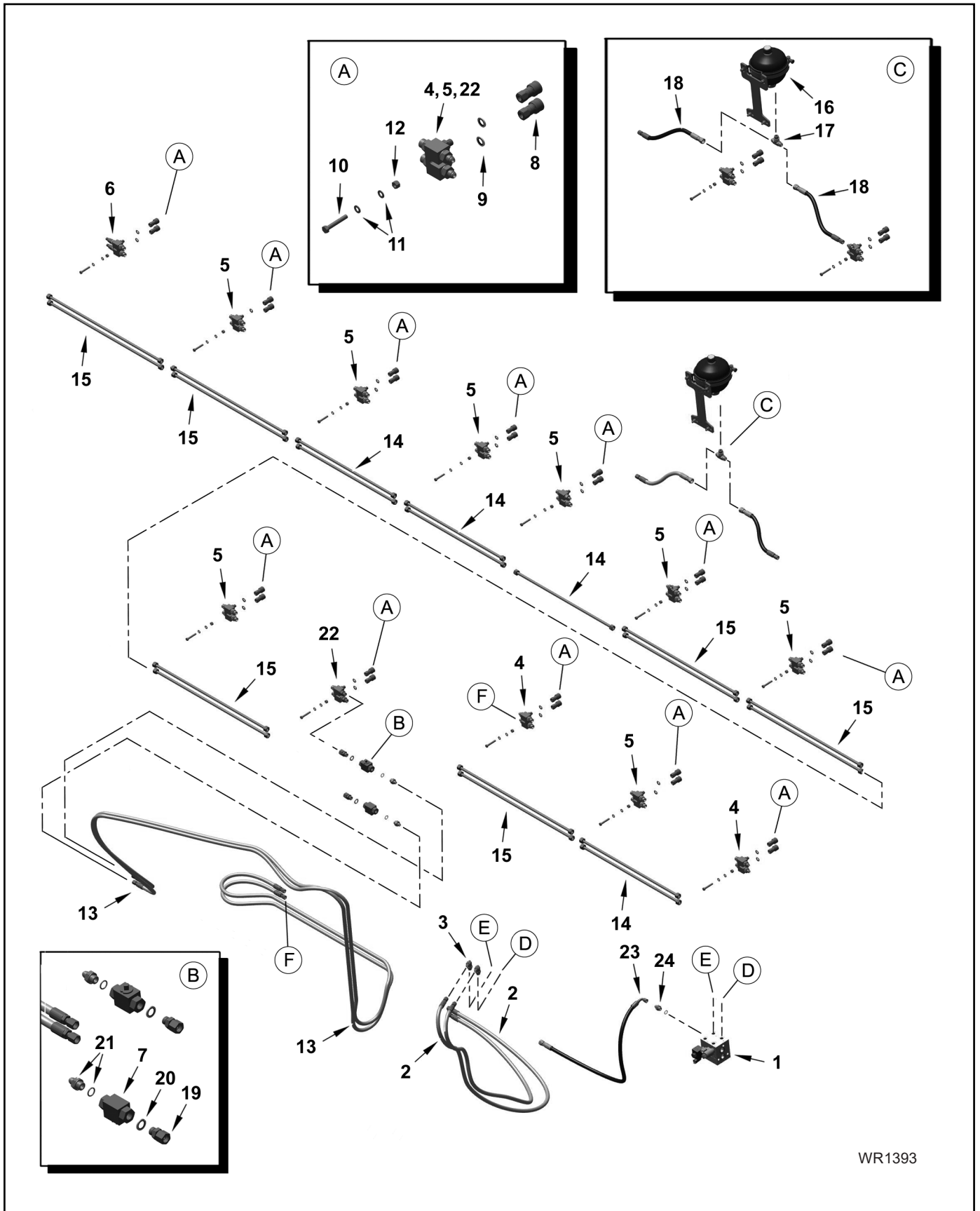
# HYDRAULIC SYSTEM

## Row Unit Circuit, Left Section

REF.	FN	Part Number	Series	Qty.	Description
1		30001527		1	BLOCK, Hydraulic, Row Unit
2		30001478		2	HOSE, 3kpsi, 3/8" x 67", 6FJX - 6FJX
3		30001686		2	ELBOW, 90, G3/8" x 6MJ
4		30001486		2	BLOCK ASSEMBLY, Hydraulic Junction, Row Unit, See page 4-46
5		198462		8	BLOCK ASSEMBLY, Hydraulic Junction, Row Unit, See page 4-42
6		212212		1	BLOCK ASSEMBLY, Hydraulic Junction, Row Unit, See page 4-44
7		407070		2	VALVE, Ball
8		167653		24	COUPLER, Quick, Female, 1/4" x G1/4" BSP
9		402202		24	WASHER, Rubber, 1/4"
10		50000805021		12	BOLT, Hex, M6 x 16, 8.8ZP
11		52000800041		24	WASHER, Flat, 8.4 x 16 x 1.6
12		51212800021		12	NUT, Lock, M8, 8ZP
13		30001481		2	HOSE, 3kpsi, 1/8" x 186", 6FJX - 6FJX
14		197077		10	TUBE, Hydraulic, 12mm x 636mm
15		198464		9	TUBE, Hydraulic, 12mm x 736mm
16		30006281		1	ACCUMULATOR ASSEMBLY, Wing, Inc. 17
17		56534		1	TEE, 8MJ x 8MJ x 8M ORB
18		30018338		2	HOSE, 3kpsi, 3/8" x 15", 6FJX - 8FJX
19		411914		2	ADAPTER, G3/8" BSP x 3/8" BSP
20		402203		2	WASHER, Rubber, 3/8"
21		30001683		2	ADAPTER, G3/8" x 6MJ

# HYDRAULIC SYSTEM

## Row Unit Circuit, Right Section



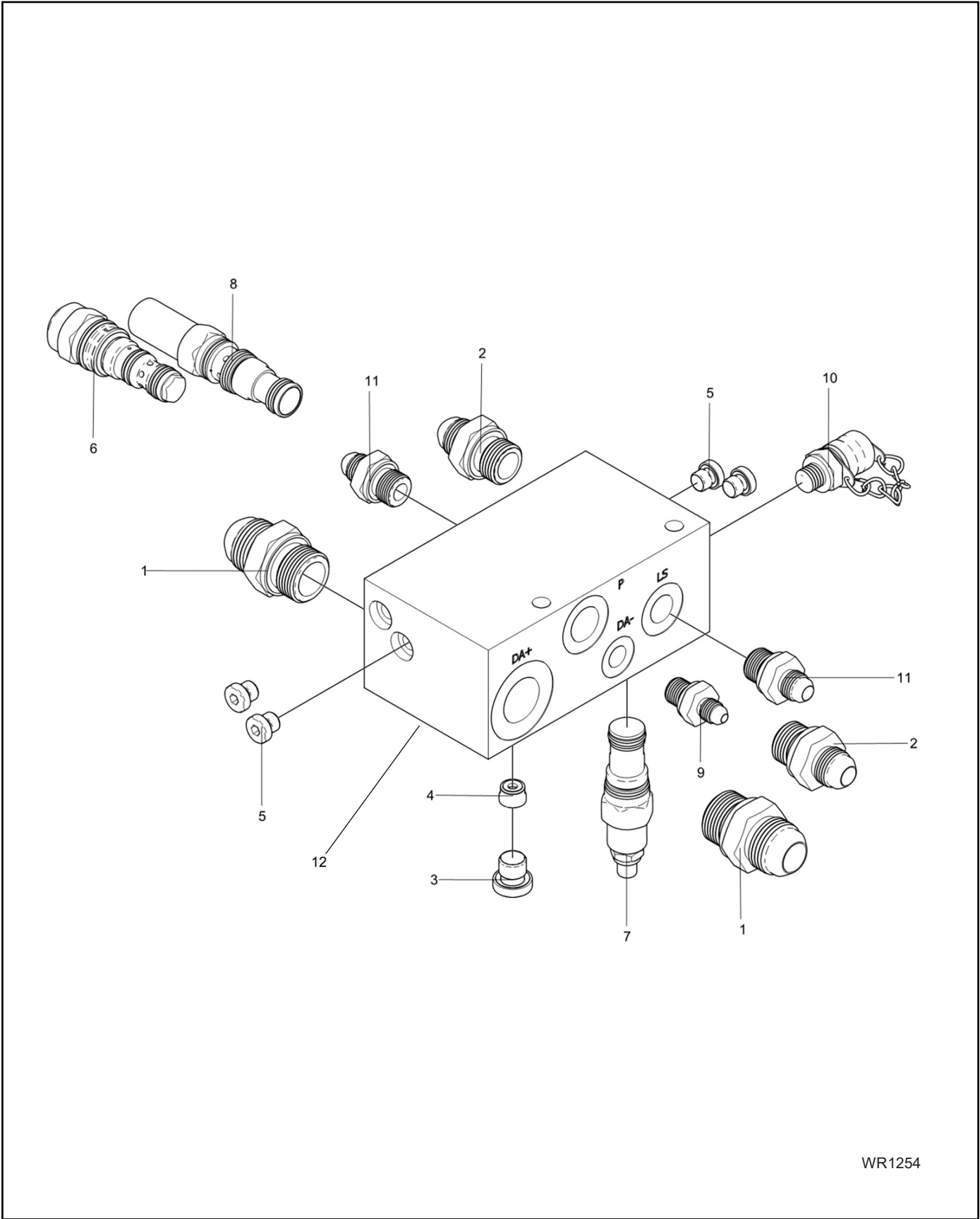
WR1393

**HYDRAULIC SYSTEM**  
**Row Unit Circuit, Right Section**

REF.	FN	Part Number	Series	Qty.	Description
1		30001527		1	BLOCK, Hydraulic, Row Unit
2		30015890		2	HOSE, 3kpsi, 3/8" x 79", 6FJX - 6FJX
3		30001686		2	ELBOW, 90, G3/8" x 6MJ
4		30001486		2	BLOCK ASSEMBLY, Hydraulic Junction, Row Unit, See page 4-46
5		198462		8	BLOCK ASSEMBLY, Hydraulic Junction, Row Unit, See page 4-42
6		212212		1	BLOCK ASSEMBLY, Hydraulic Junction, Row Unit, See page 4-44
7		407070		2	VALVE, Ball
8		167653		24	COUPLER, Quick, Female, 1/4" x G1/4" BSP
9		402202		24	WASHER, Rubber, 1/4"
10		50000805021		12	BOLT, Hex, M6 x 16, 8.8ZP
11		52000800041		24	WASHER, Flat, 8.4 x 16 x 1.6
12		51212800021		12	NUT, Lock, M8, 8ZP
13		30001481		2	HOSE, 3kpsi, 1/8" x 186", 6FJX - 6FJX
14		197077		10	TUBE, Hydraulic, 12mm x 636mm
15		198464		9	TUBE, Hydraulic, 12mm x 736mm
16		30006281		1	ACCUMULATOR ASSEMBLY, Wing, Inc. 17
17		56534		1	TEE, 8MJ x 8MJ x 8M ORB
18		30018338		2	HOSE, 3kpsi, 3/8" x 15", 6FJX - 8FJX
19		30001683		2	ADAPTER, G3/8" x 6MJ
20		411914		2	ADAPTER, G3/8" x G3/8"
21		402203		2	WASHER, Rubber
22		198461		1	BLOCK ASSEMBLY, Hydraulic Junction, Row Unit, See page 4-40
23		30019177		1	HOSE, 3kpsi, 3/8" x 46", 8FJX - 6FJX
24		30001683		1	ADAPTER, G3/8" x 6MJ

# HYDRAULIC SYSTEM

## Hydraulic Block, Power Beyond



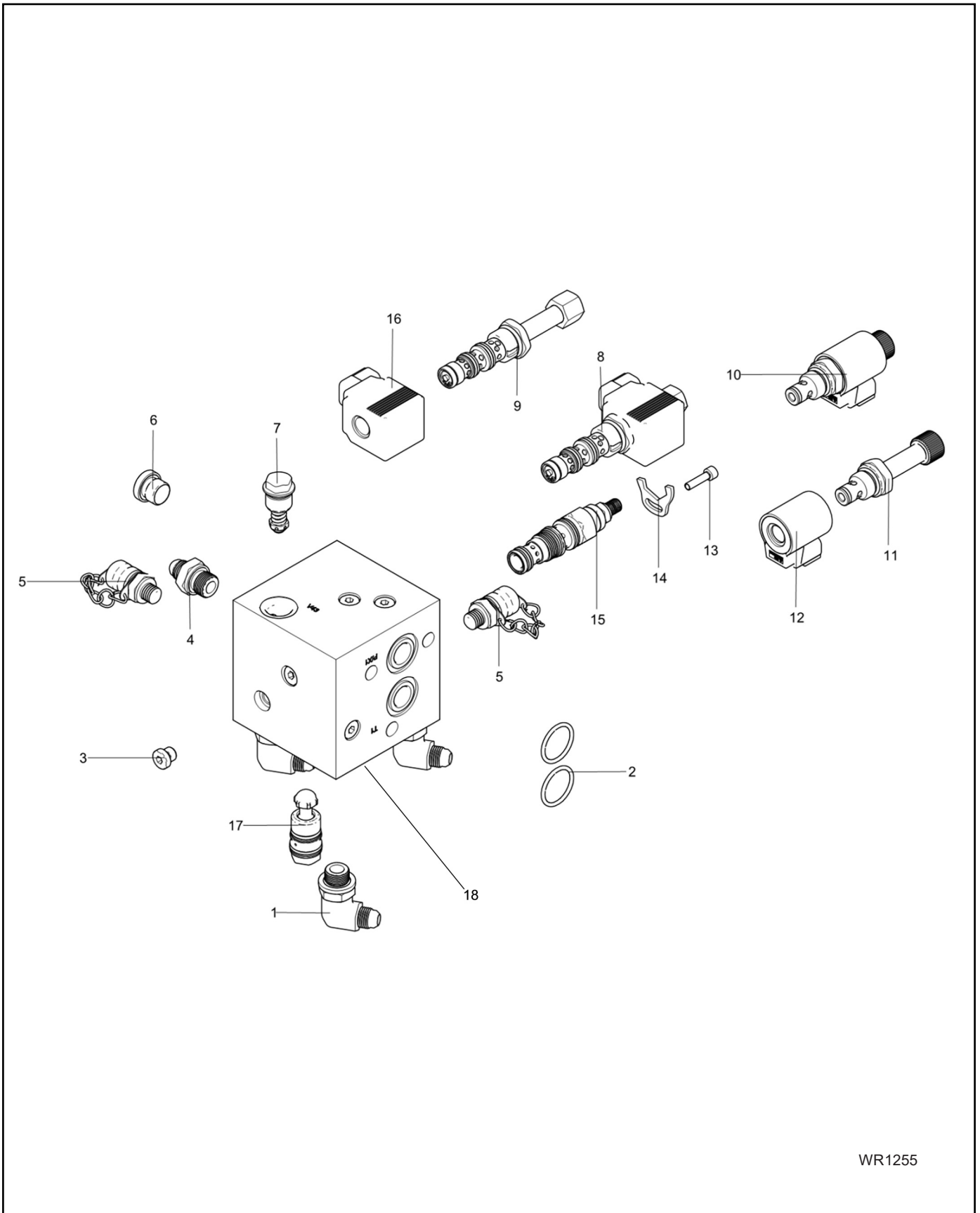
WR1254

HYDRAULIC SYSTEM  
Hydraulic Block, Power Beyond

REF.	FN	Part Number	Series	Qty.	Description
1		30001685		2	ADAPTER, G3/4" x 12MJ
2		30001684		2	ADAPTER, G1/2" x 8MJ
3		402266		1	PLUG, G1/4"
4		422114		1	VALVE, Check, Poppet G1/4"
5		445821		4	PLUG, G1/8" A-L
6		275984		1	VALVE, Ext. Pilot with Drain NC
7		271307		1	VALVE, Needle
8		271306		1	VALVE, Reducing/Relieving, 120 bar
9		30001682		1	ADAPTER, G1/4" x 4MJ
10		442429		1	ADAPTER, G1/4" x M16 x 2
11		30001683		2	ADAPTER, G3/8" x 6MJ
12		269814		1	BLOCK, Hydraulic, Power Beyond

# HYDRAULIC SYSTEM

## Hydraulic Block, Central Hyd. Down Force, 30001524



WR1255



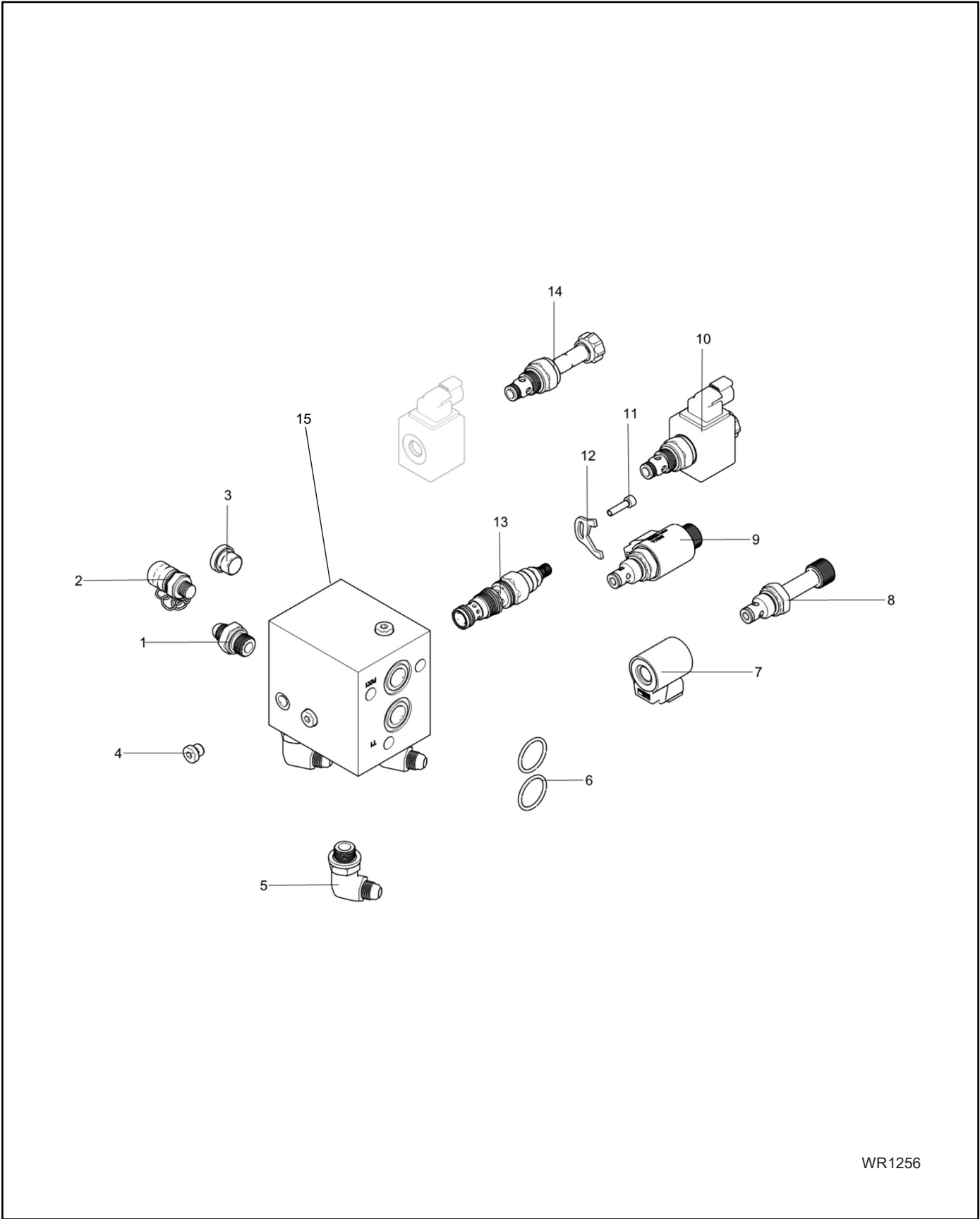
## HYDRAULIC SYSTEM

### Hydraulic Block, Central Hyd. Down Force, 30001524

REF.	FN	Part Number	Series	Qty.	Description
1		30001686		4	ELBOW, 90, G3/8" x 6MJ
2		256940		2	O-RING, 25.07 x 2.62
3		445821		7	PLUG, G1/8" A-L
4		30001683		1	ADAPTER, G3/8" x 6MJ
		30001525		1	BLOCK ASSEMBLY, Hydraulic, Central Down Force, Inc. 5 - 18
5		442429		2	ADAPTER, G1/4" x M16 x 2
6		459968		1	PLUG, G3/8" BSP
7		256941		1	VALVE, Relief, 185 Bal
8		193353		1	VALVE, Solenoid, Reducing/Relieving
9		262485		1	VALVE, Electroprop. red./rel.
10		287072		1	VALVE, Solenoid
11		223745		1	VALVE, 2/2 NO
12		278412		1	SOLENOID, 12V 23W DT04-2P
13		50030502021		1	SCREW, Hex, M5 x 20 8.8
14		251087		1	WASHER, Hex Lock, 7/8"
15		256939		1	VALVE, Reducing/Relieving, 130 bar
16		225242		1	SOLENOID, Connector
17		212227		1	VALVE, Check, Non-Return
18		30001524		1	BLOCK, Hydraulic, Central Down Force (262490)

# HYDRAULIC SYSTEM

## Hydraulic Block, Individual Row Unit Down Force, 30001526



WR1256

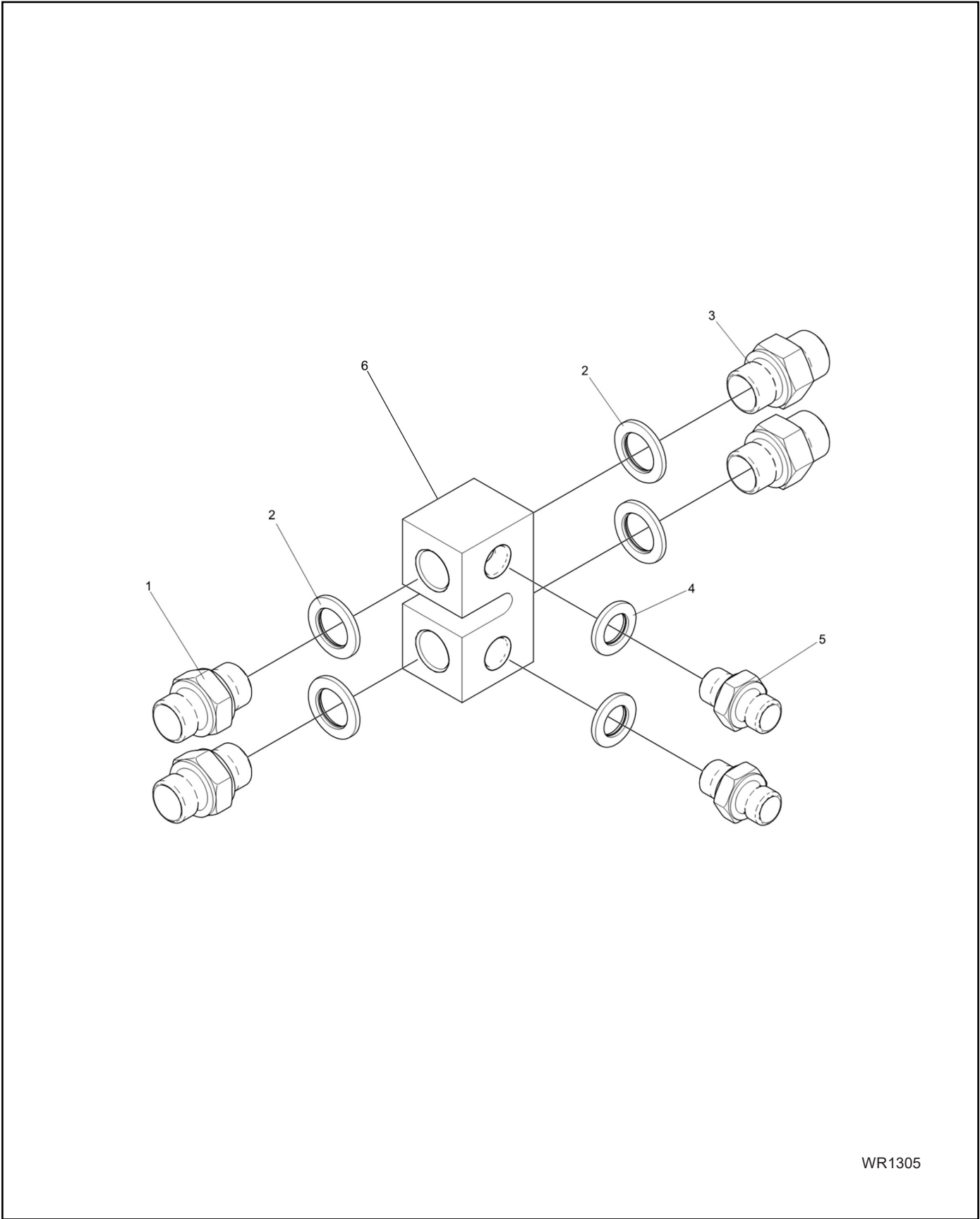
## HYDRAULIC SYSTEM

### Hydraulic Block, Individual Row Unit Down Force, 30001526

REF.	FN	Part Number	Series	Qty.	Description
1		30001683		1	ADAPTER, G3/8" x 6MJ
2		442429		1	ADAPTER, G1/4" x M16 x 2
3		459968		1	PLUG, G3/8" BSP
4		445821		3	PLUG, G1/8" A-L
5		30001686		4	ELBOW, 90, G3/8" x 6MJ
		30001527		1	BLOCK ASSEMBLY, Hydraulic, Inc. 6 - 15
6		256940		2	O-RING, 25.07 x 2.62
7		278412		1	SOLENOID, 12V 23W DT04-2P
8		223745		1	VALVE, 2/2 NO
9		287072		1	VALVE, Solenoid, 2/2 NO
10		256938		1	VALVE, Solenoid, Double Lock (NO)
11		50030502021		1	SCREW, Hex, M5 x 20 8.8
12		251087		1	WASHER, Lock, 7/8"
13		256939		1	VALVE, Reducing/Relieving, 130 bar
14		256937		1	VALVE, Solenoid, 2/2 NO Double Lock
15		30001526		1	BLOCK, Hydraulic, Individual Row Unit Down Force (262488)

# HYDRAULIC SYSTEM

## Hydraulic Block, Row Unit, 198461



WR1305

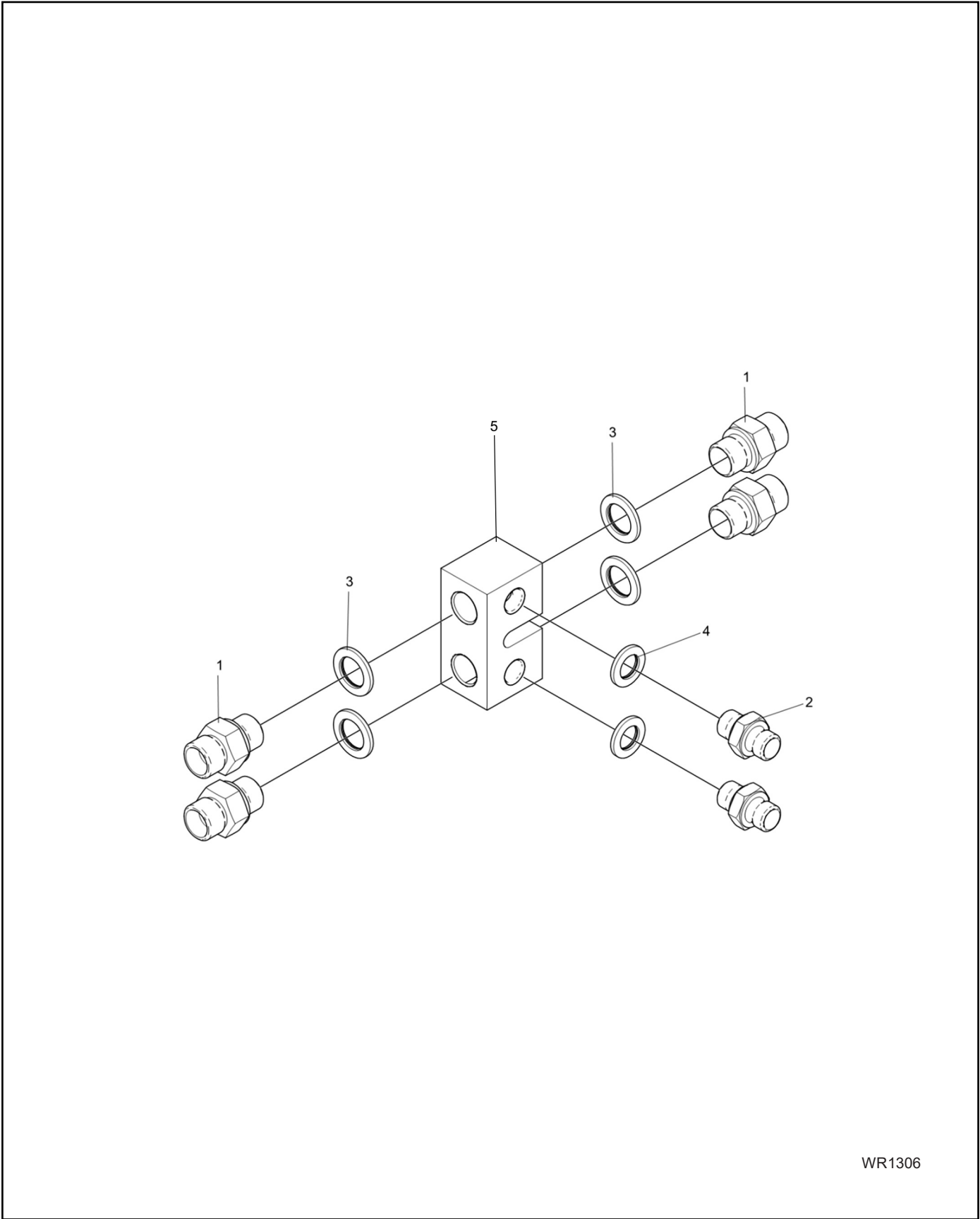
# HYDRAULIC SYSTEM

## Hydraulic Block, Row Unit, 198461

REF.	FN	Part Number	Series	Qty.	Description
1		401777		2	ADAPTER, ISO, G3/8" A
2		402203		4	WASHER, Rubber Steel, 3/8"
3		163358		2	ADAPTER, ISO, G3/8" x M18 x 1.5 - 12mm
4		402202		2	WASHER, Rubber Steel, 1/4"
5		401790		2	ADAPTER, G1/4" BSP x G1/4" BSP
6		181253		1	BLOCK, Hydraulic, Junction Row Unit

# HYDRAULIC SYSTEM

## Hydraulic Block, Row Unit, 198462



WR1306

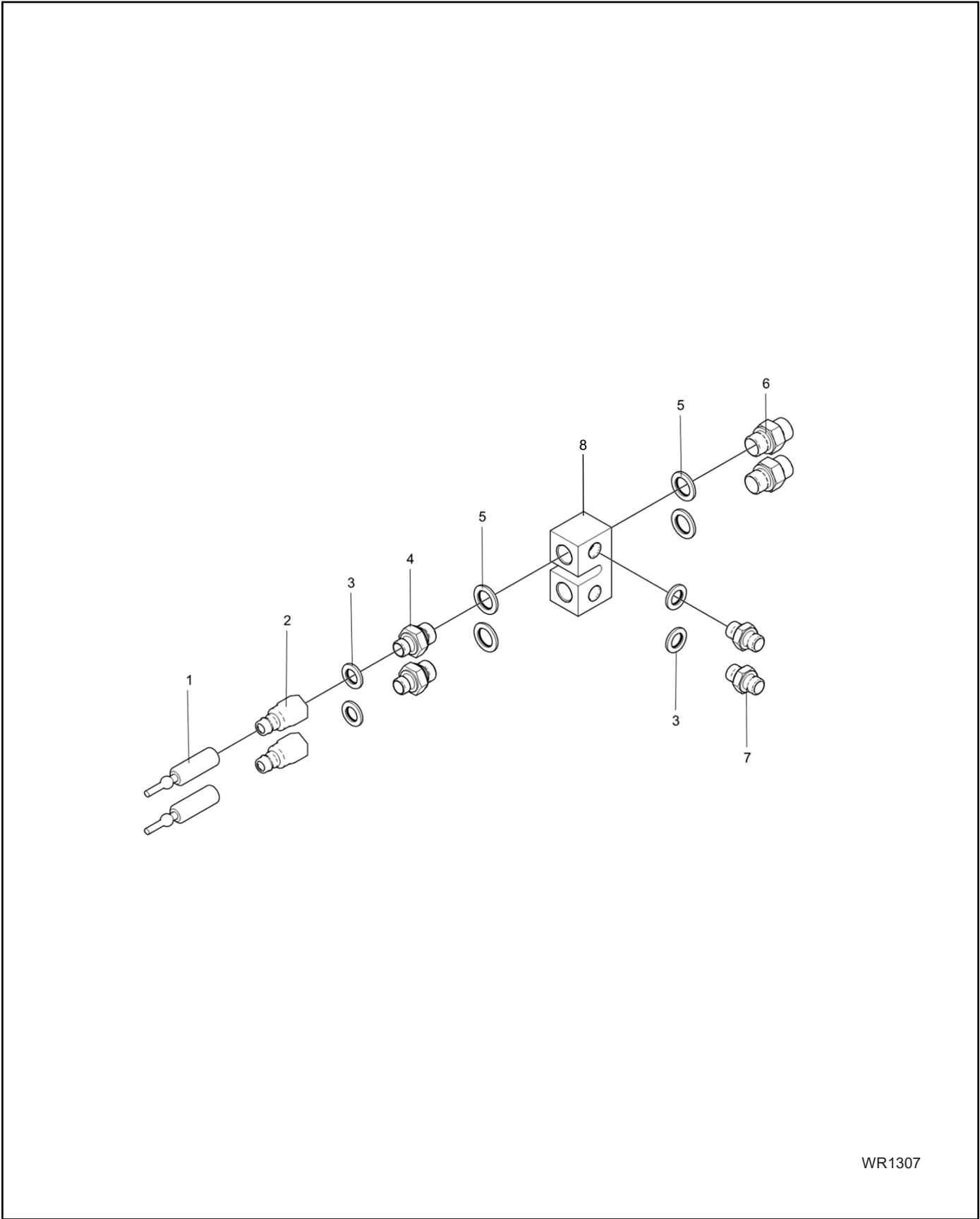
# HYDRAULIC SYSTEM

## Hydraulic Block, Row Unit, 198462

REF.	FN	Part Number	Series	Qty.	Description
1		163358		4	ADAPTER, ISO, G3/8" x M18 x 1.5 - 12mm
2		401790		2	ADAPTER, G1/4" BSP x G1/4" BSP
3		402203		4	WASHER, Rubber Steel, 3/8"
4		402202		2	WASHER, Rubber Steel, 1/4"
5		181253		1	BLOCK, Hydraulic, Junction Row Unit

# HYDRAULIC SYSTEM

## Hydraulic Block, End Row Unit, 212212



WR1307



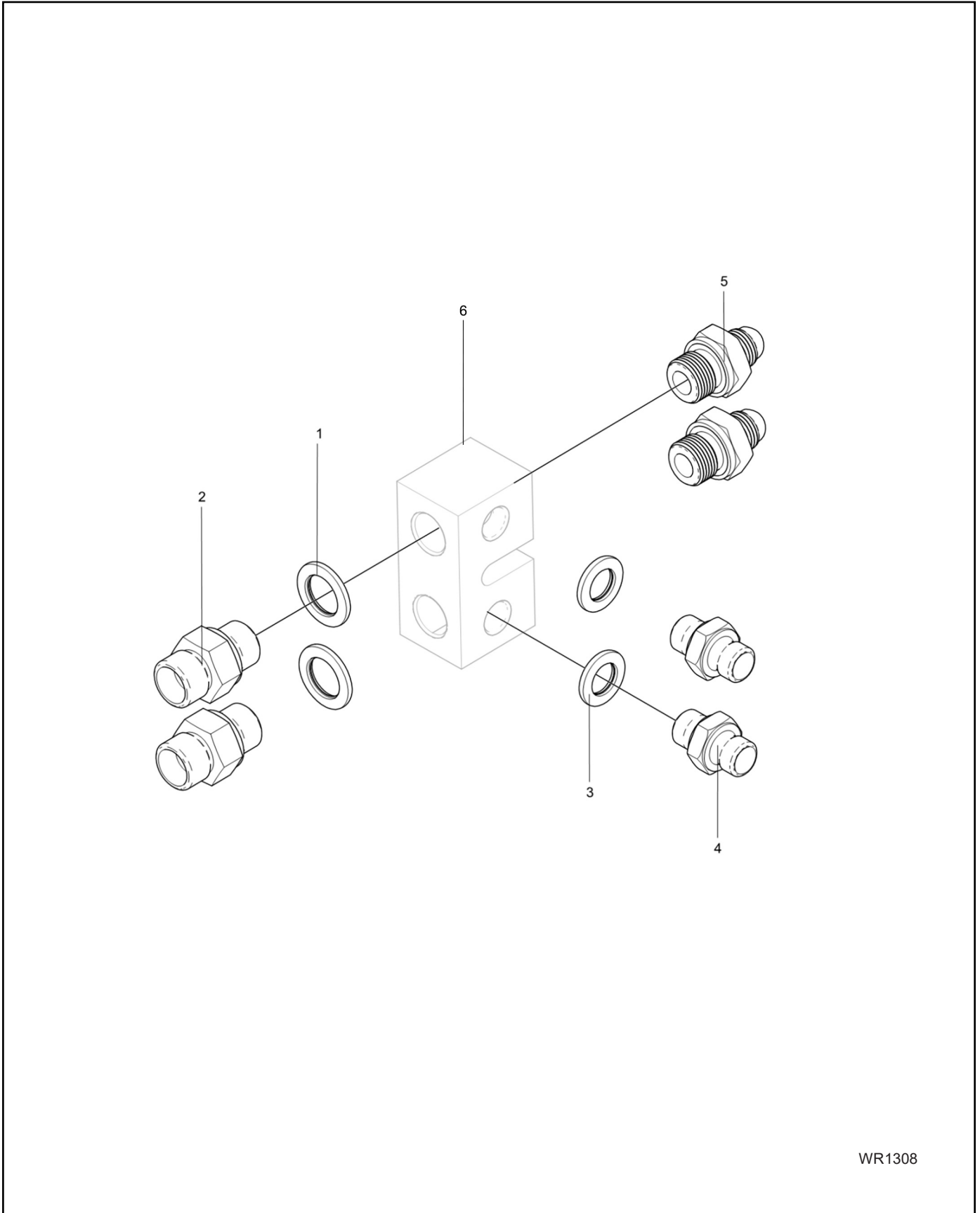
# HYDRAULIC SYSTEM

## Hydraulic Block, End Row Unit, 212212

REF.	FN	Part Number	Series	Qty.	Description
1		164631		2	COVER, Hydraulic, Rubber, 1/4"
2		162544		2	COUPLER, Quick, 1/4" x G1/4" BSP
3		402202		4	WASHER, Rubber Steel, 1/4"
4		401789		2	ADAPTER, G3/8" BSP x G1/4" BSP
5		402203		4	WASHER, Rubber Steel, 3/8"
6		163358		2	ADAPTER, ISO, G3/8" x M18 x 1.5 - 12mm
7		401790		2	ADAPTER, G1/4" BSP x G1/4" BSP
8		181253		1	BLOCK, Hyd. Junction, Row Unit

# HYDRAULIC SYSTEM

## Hydraulic Block, Row Unit, 30001486



WR1308

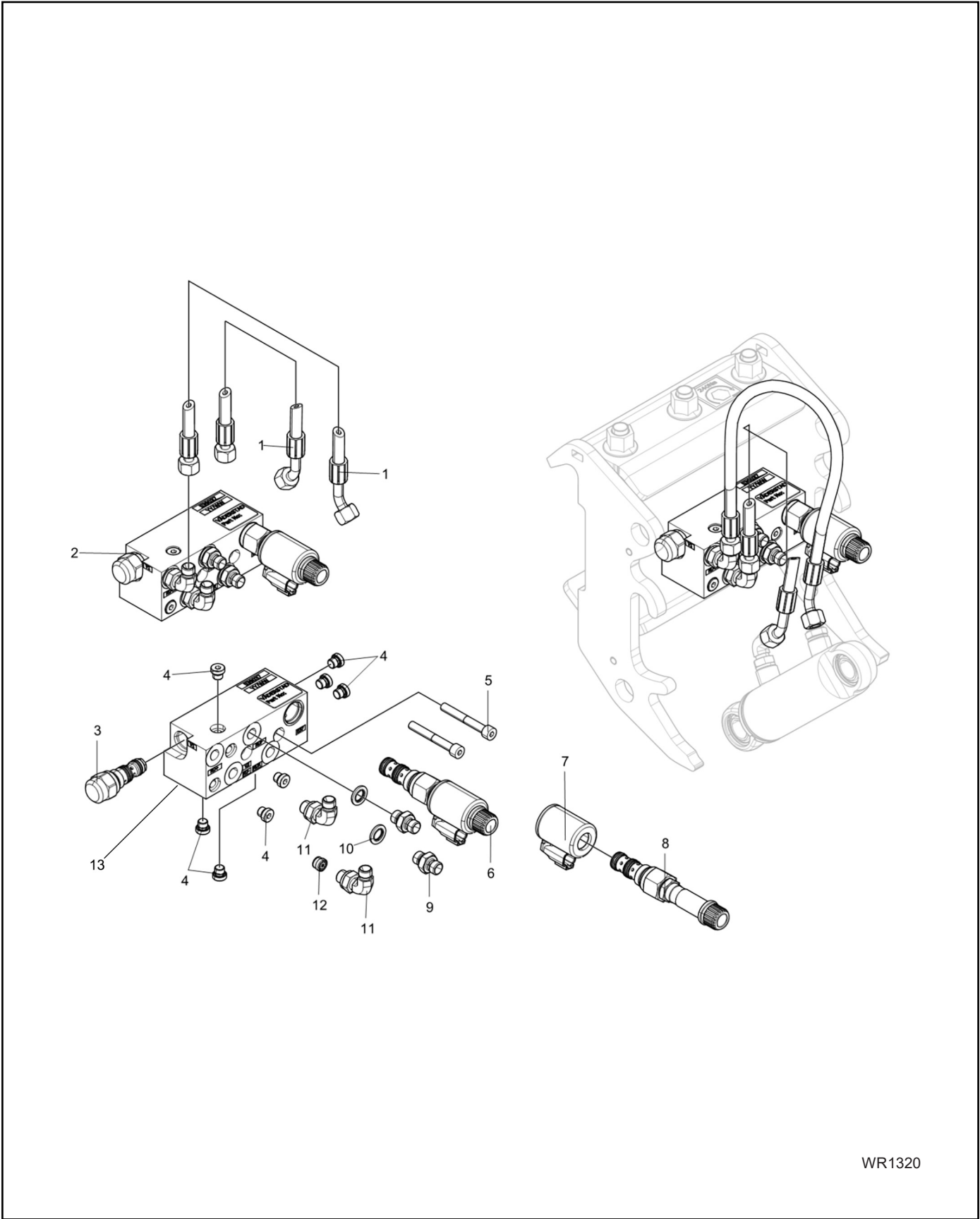
# HYDRAULIC SYSTEM

## Hydraulic Block, Row Unit, 30001486

REF.	FN	Part Number	Series	Qty.	Description
1		402203		2	WASHER, Rubber Steel, 3/8"
2		163358		2	ADAPTER, ISO, G3/8" x M18 x 1.5 - 12mm
3		402202		2	WASHER, Rubber Steel, 1/4"
4		401790		2	ADAPTER, G1/4" BSP x G1/4" BSP
5		30001683		2	ADAPTER, G3/8" x 6MJ
6		181253		1	BLOCK, Hyd. Junction

# HYDRAULIC SYSTEM

## Weight Transfer, Hydraulic Block, Row Unit



WR1320

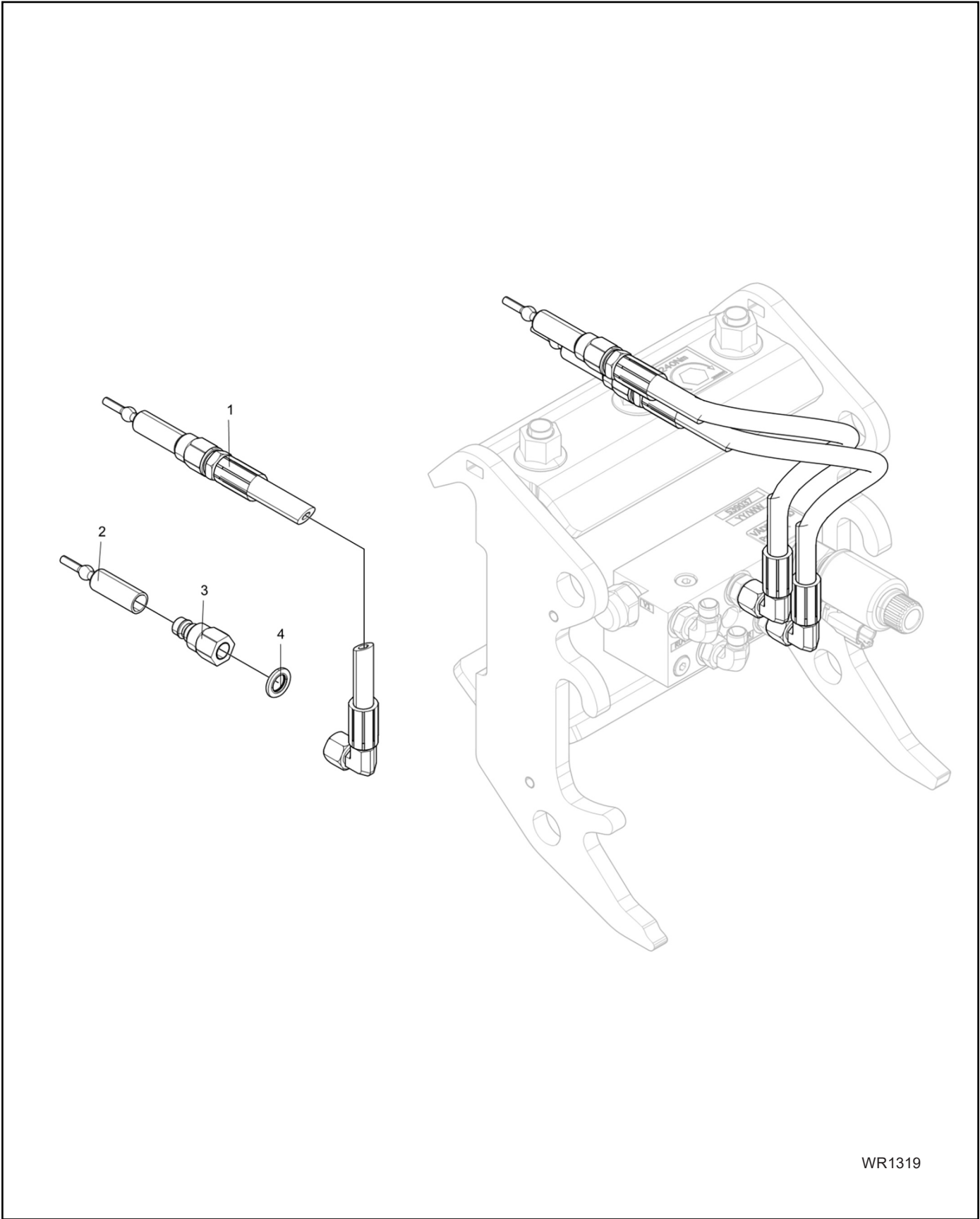
## HYDRAULIC SYSTEM

### Weight Transfer, Hydraulic Block, Row Unit

REF.	FN	Part Number	Series	Qty.	Description
1		197090		2	HOSE, Hydraulic, 3/16" x 18 G1/4" - G1/4" 45
2		269810		1	BLOCK ASSEMBLY, Hydraulic
3		262498		1	VALVE
4		445821		8	PLUG, G1/8" A-L
5		50030806022		2	SCREW, Hex, M8 x 60
6		262497		1	VALVE, Solenoid
7		262496		1	SOLENOID, 12V 22W
8		262495		1	VALVE, Solenoid
9		401790		2	ADAPTER, G1/4" x G1/4"
10		402202		2	WASHER, Rubber, 1/4"
11		465747		2	ELBOW, 90, G1/4" x G1/4"
12		422114		1	VALVE, Check G1/4"
13		262500		1	BLOCK, Hydraulic

# HYDRAULIC SYSTEM

## Weight Transfer, Row Unit



WR1319

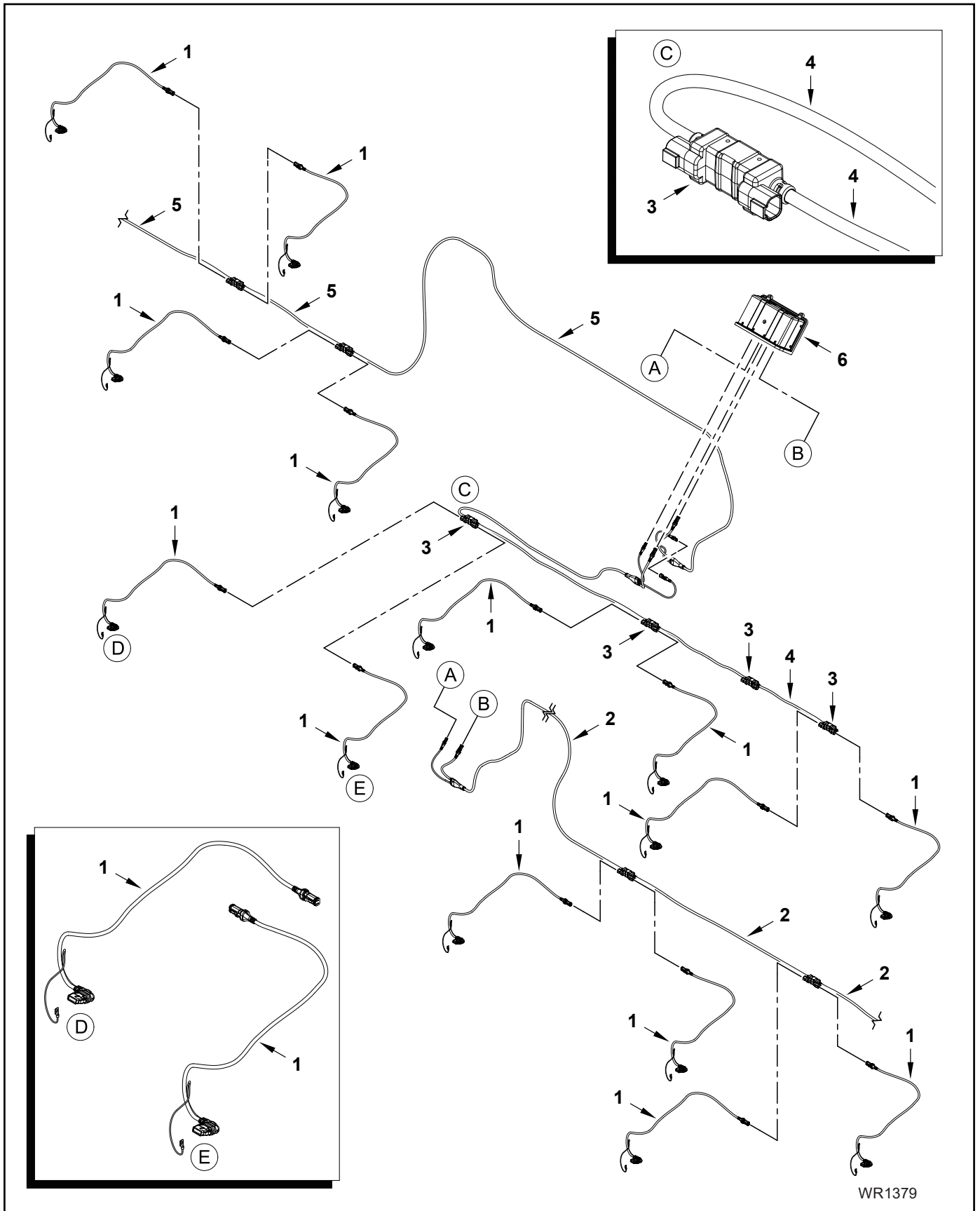
# HYDRAULIC SYSTEM

## Weight Transfer, Row Unit

REF.	FN	Part Number	Series	Qty.	Description
1		293553		2	HOSE, Hydraulic, 1/4" x 17"
2		164631		1	COVER, Hydraulic, Rubber, 1/4"
3		162544		1	COUPLER, Quick, 1/4" x G 1/4"
4		402202		1	WASHER, Rubber, 1/4"

# ELECTRICAL SYSTEM

## Harness, Wing Section





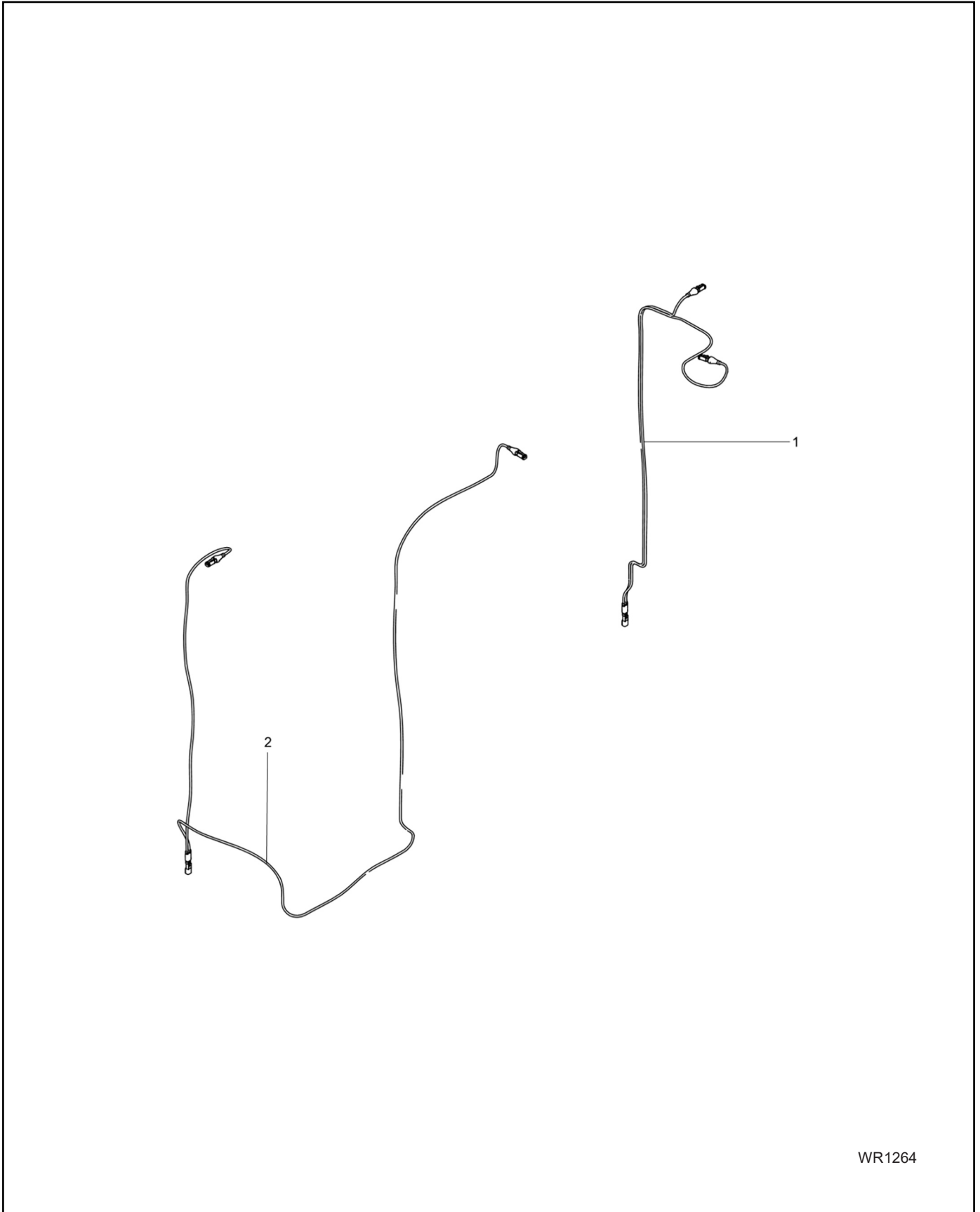
# ELECTRICAL SYSTEM

## Harness, Wing Section

REF.	FN	Part Number	Series	Qty.	Description
1		280896		24	HARNESS, WSX, Type IV, M8
2		30001508		1	HARNESS, Wing Section, WSX, TPK, W21
3		245007		3	PLUG, 4s
4		30001506		1	HARNESS, Wing Section, WSX, TPK, W22
5		30001507		1	HARNESS, Wing Section, WSX, TPK, W20
6		265880		1	BOX, Control

# ELECTRICAL SYSTEM

## Harness, Lights



WR1264

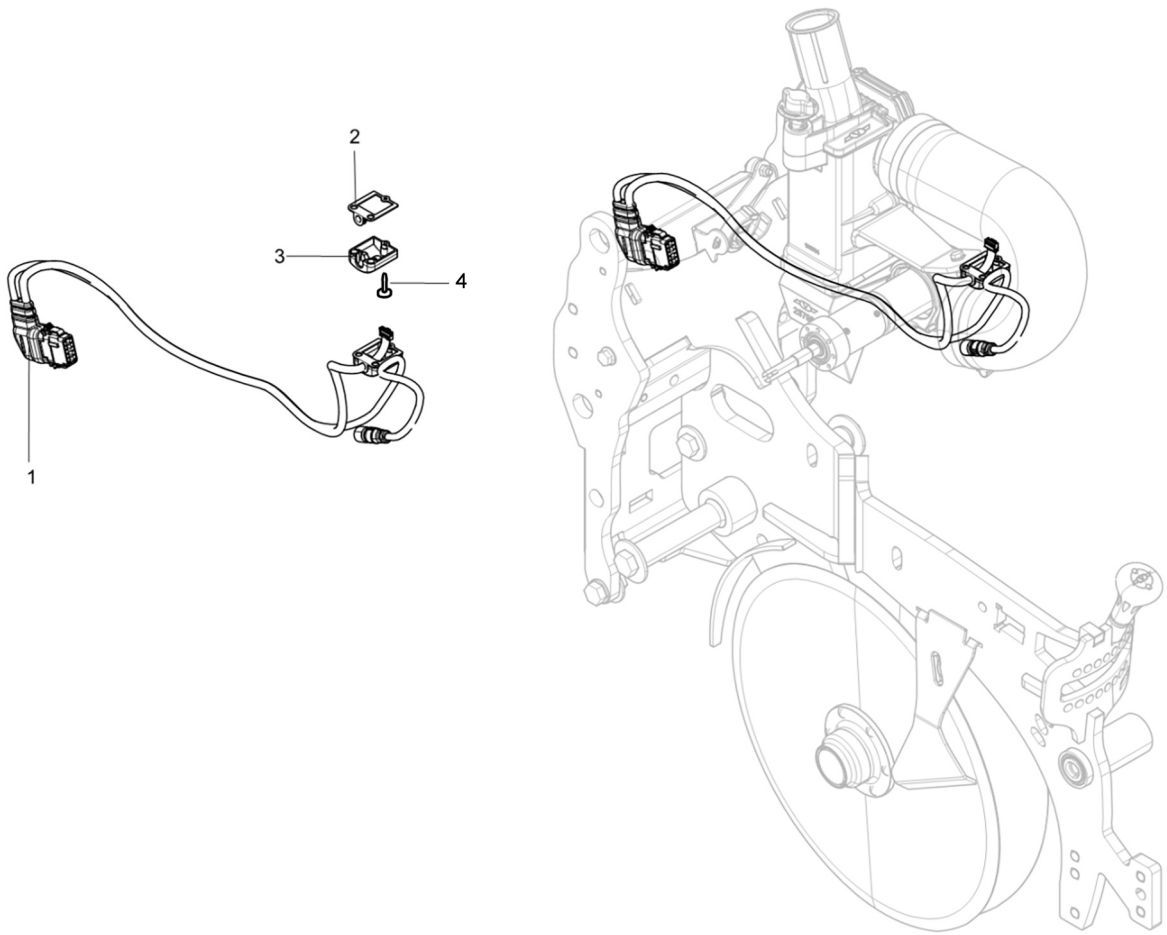
# ELECTRICAL SYSTEM

## Harness, Lights

REF.	FN	Part Number	Series	Qty.	Description
1		30001519		1	HARNESS, TRAF, TPK, W67
2		30001518		1	HARNESS, TRAF, TPK, W53
3		301294		4	LIGHT, Work, Real Platform, Not Shown

# ELECTRICAL SYSTEM

## Harness, Air Pressure & Singulation, Row Unit



WR1417

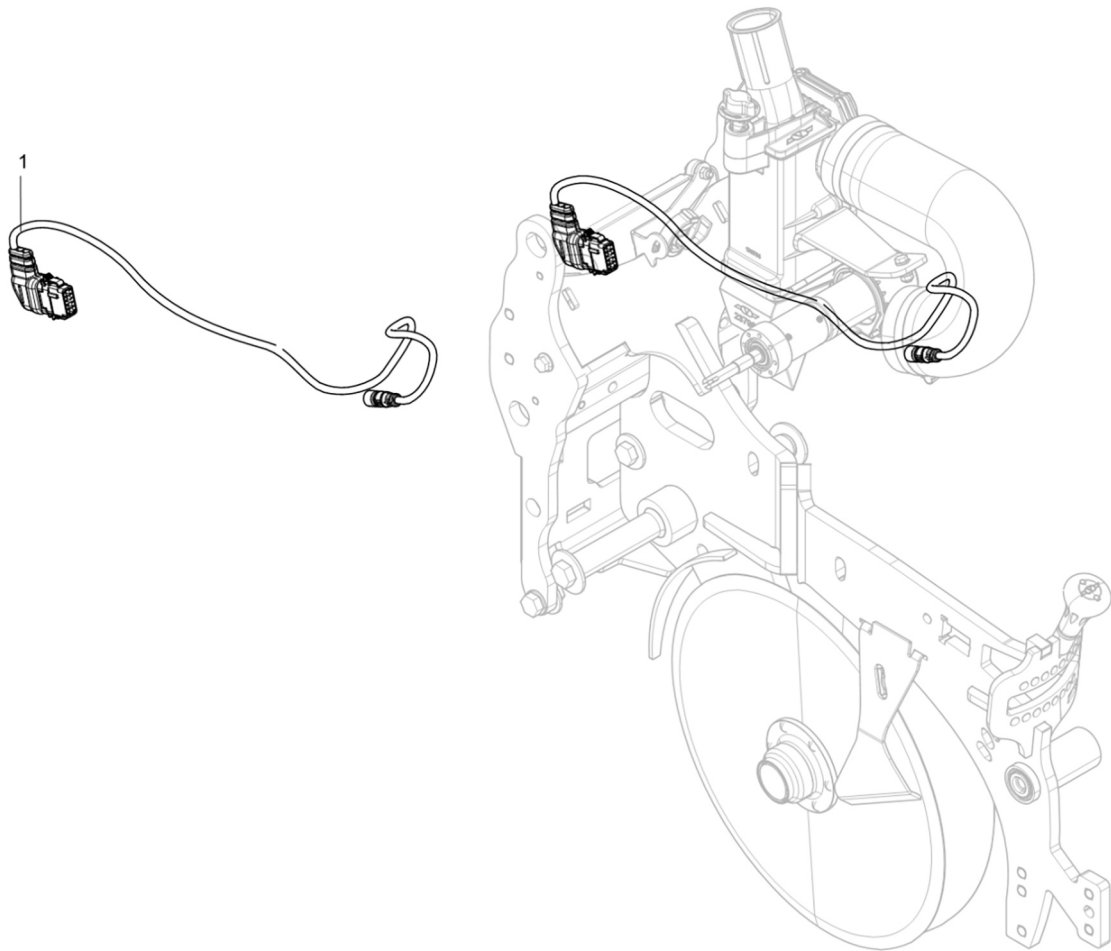
# ELECTRICAL SYSTEM

## Harness, Air Pressure & Singulation, Row Unit

REF.	FN	Part Number	Series	Qty.	Description
1		30016672		1	HARNESS, Air Pressure & Singulation
2		238487		1	SEAL
3		232658		1	COVER
4		50270301212		3	SCREW, Thermal Plastic, Torx, 3mm x 12mm

# ELECTRICAL SYSTEM

## Harness, Air Pressure, Row Unit



WR1266

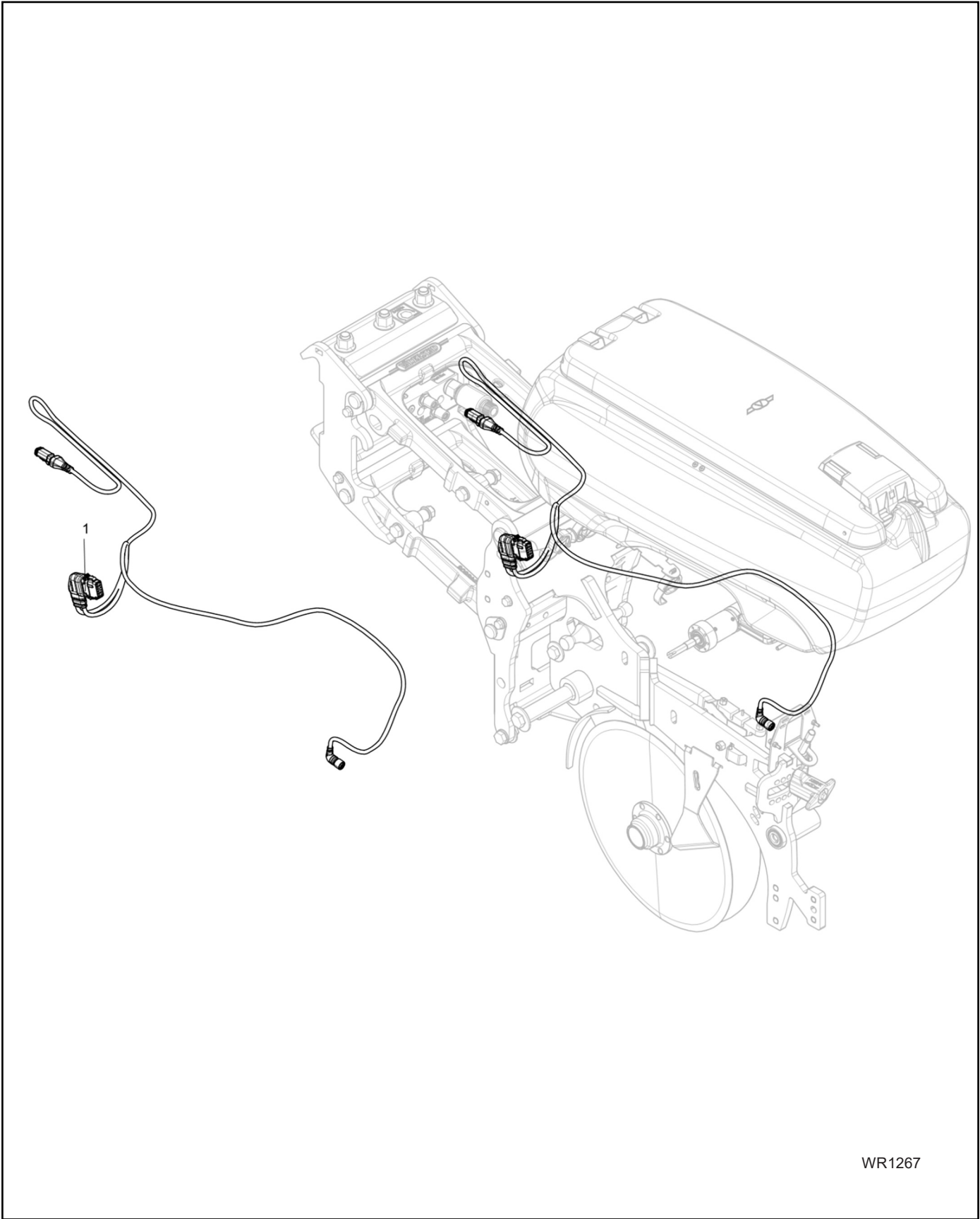
**ELECTRICAL SYSTEM**  
**Harness, Air Pressure, Row Unit**

---

<b>REF.</b>	<b>FN</b>	<b>Part Number</b>	<b>Series</b>	<b>Qty.</b>	<b>Description</b>
1		282357		1	HARNESS, Air Pressure

# ELECTRICAL SYSTEM

## Harness, Amplifier & Valve, Row Unit



WR1267



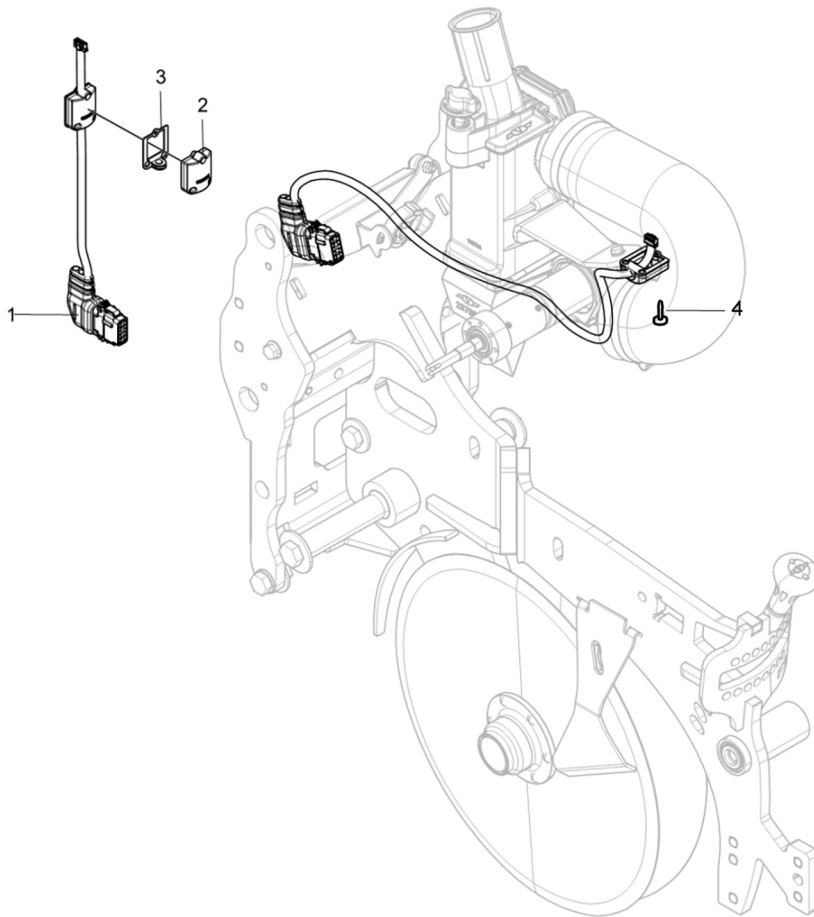
# ELECTRICAL SYSTEM

## Harness, Amplifier & Valve, Row Unit

REF.	FN	Part Number	Series	Qty.	Description
1		251703		1	HARNESS, COMP, 1S1V W85

# ELECTRICAL SYSTEM

## Harness, Auto Singulation Motor, Row Unit



WR1418

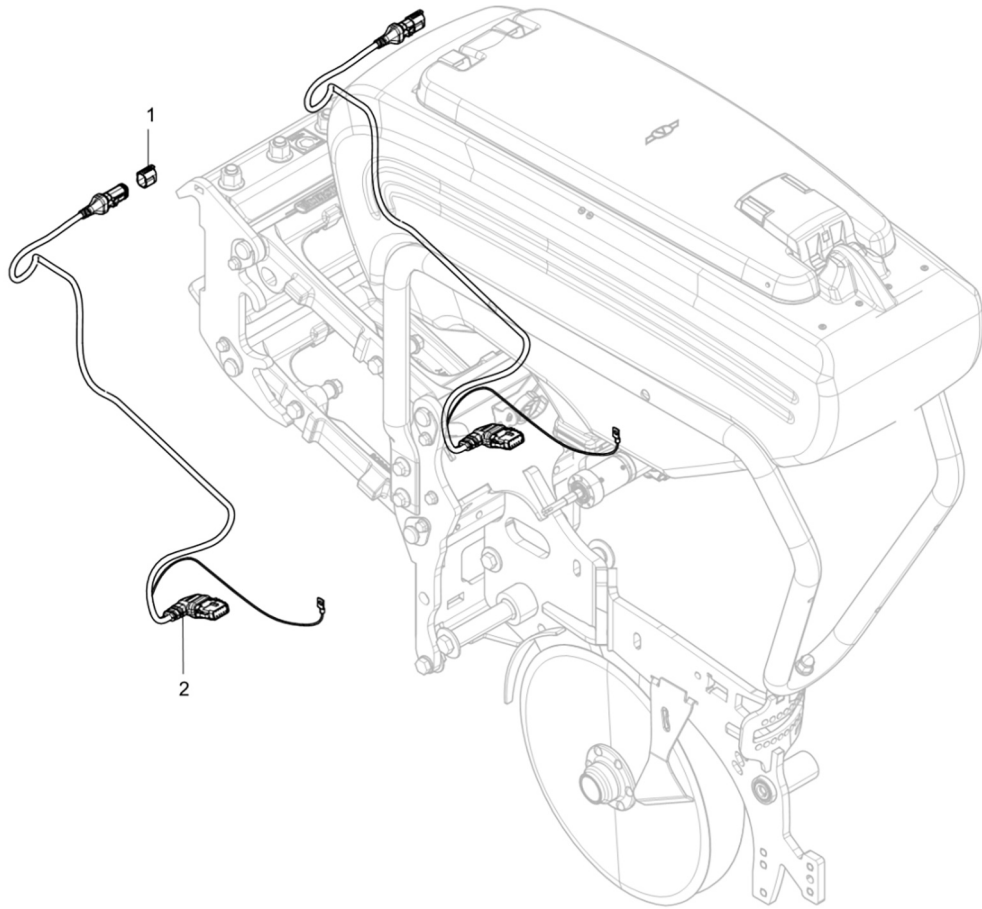
# ELECTRICAL SYSTEM

## Harness, Auto Singulation Motor, Row Unit

REF.	FN	Part Number	Series	Qty.	Description
1		277418		1	HARNESS, Auto Singulation Motor
2		232658		1	COVER
3		238487		1	SEAL
4		50270301212		3	SCREW, Thermal Plastic, Torx, 3mm x 12mm

# ELECTRICAL SYSTEM

## Harness, Connbox Wing, Row Unit



WR1269

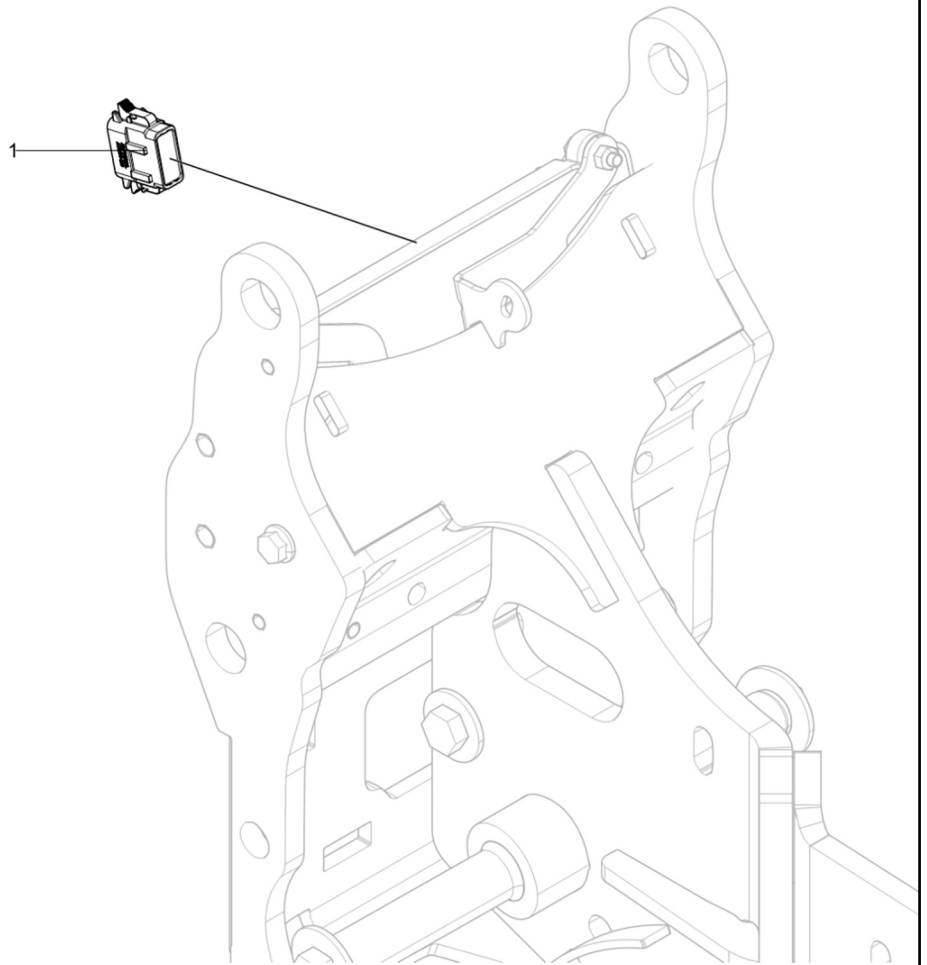
# ELECTRICAL SYSTEM

## Harness, Connbox Wing, Row Unit

REF.	FN	Part Number	Series	Qty.	Description
1		180294		1	COVER, 4p
2		280896		1	HARNESS, WSX, Type IV, M6, W33

# ELECTRICAL SYSTEM

## Harness, Cover



WR1270

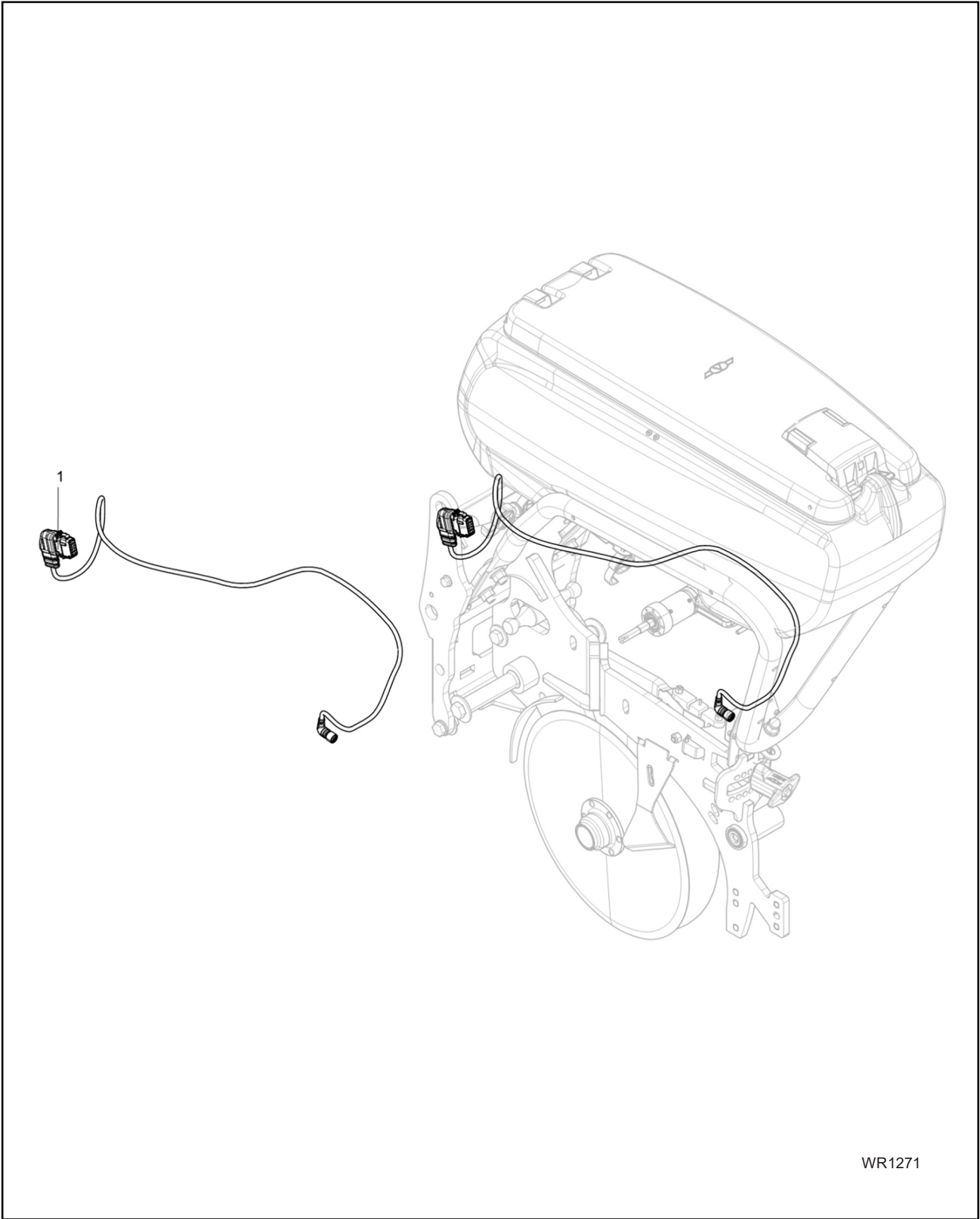
# ELECTRICAL SYSTEM

## Harness, Cover

REF.	FN	Part Number	Series	Qty.	Description
1		245008		1	PLUG, 12s

# ELECTRICAL SYSTEM

## Harness, Row Pressure Amplifier, Row Unit



WR1271



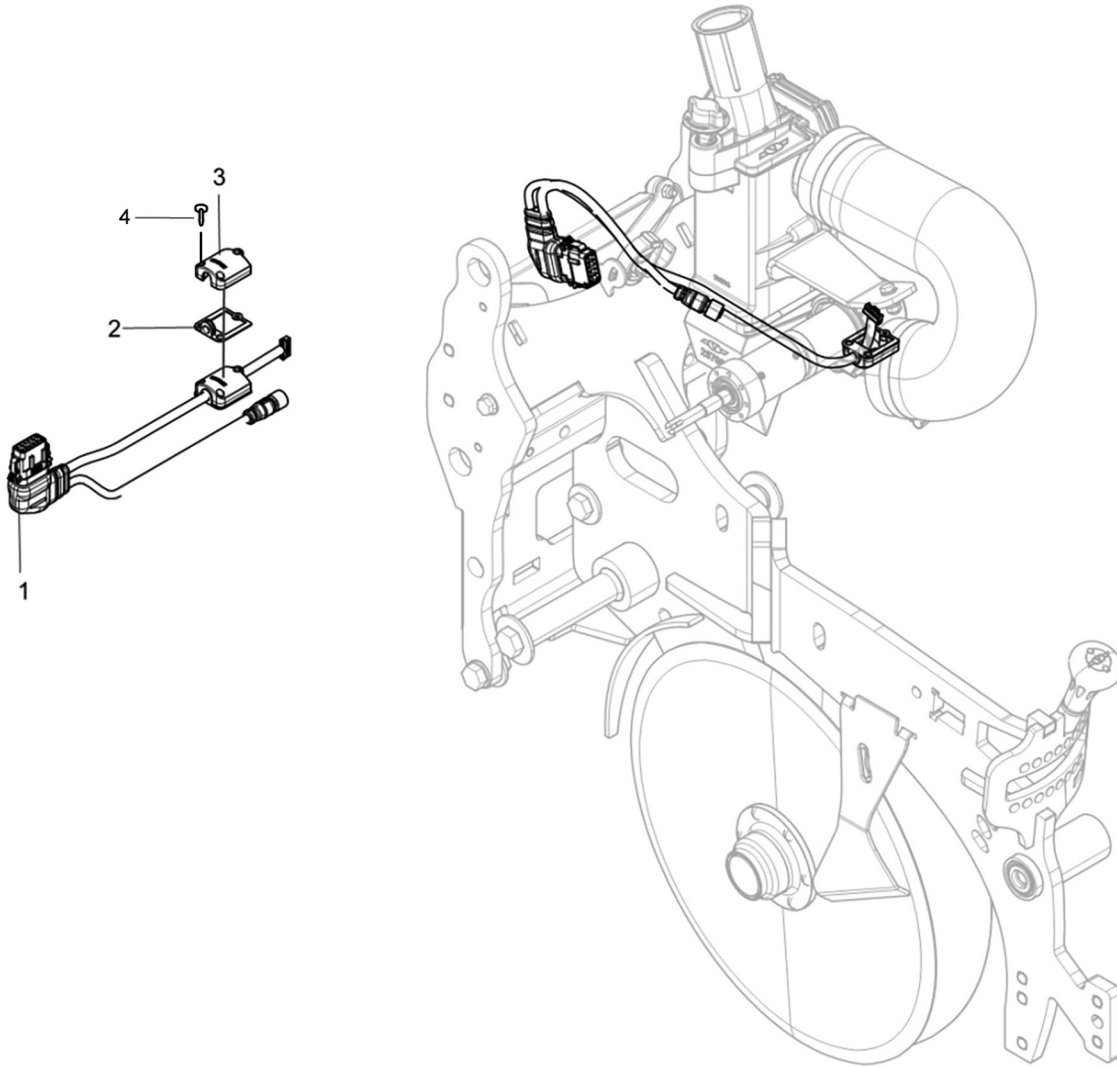
# ELECTRICAL SYSTEM

## Harness, Row Pressure Amplifier, Row Unit

REF.	FN	Part Number	Series	Qty.	Description
1		265239		1	HARNESS, COMP, 1S, W86

# ELECTRICAL SYSTEM

## Harness, Seed Meter & Sensor, Row Unit



WR1419

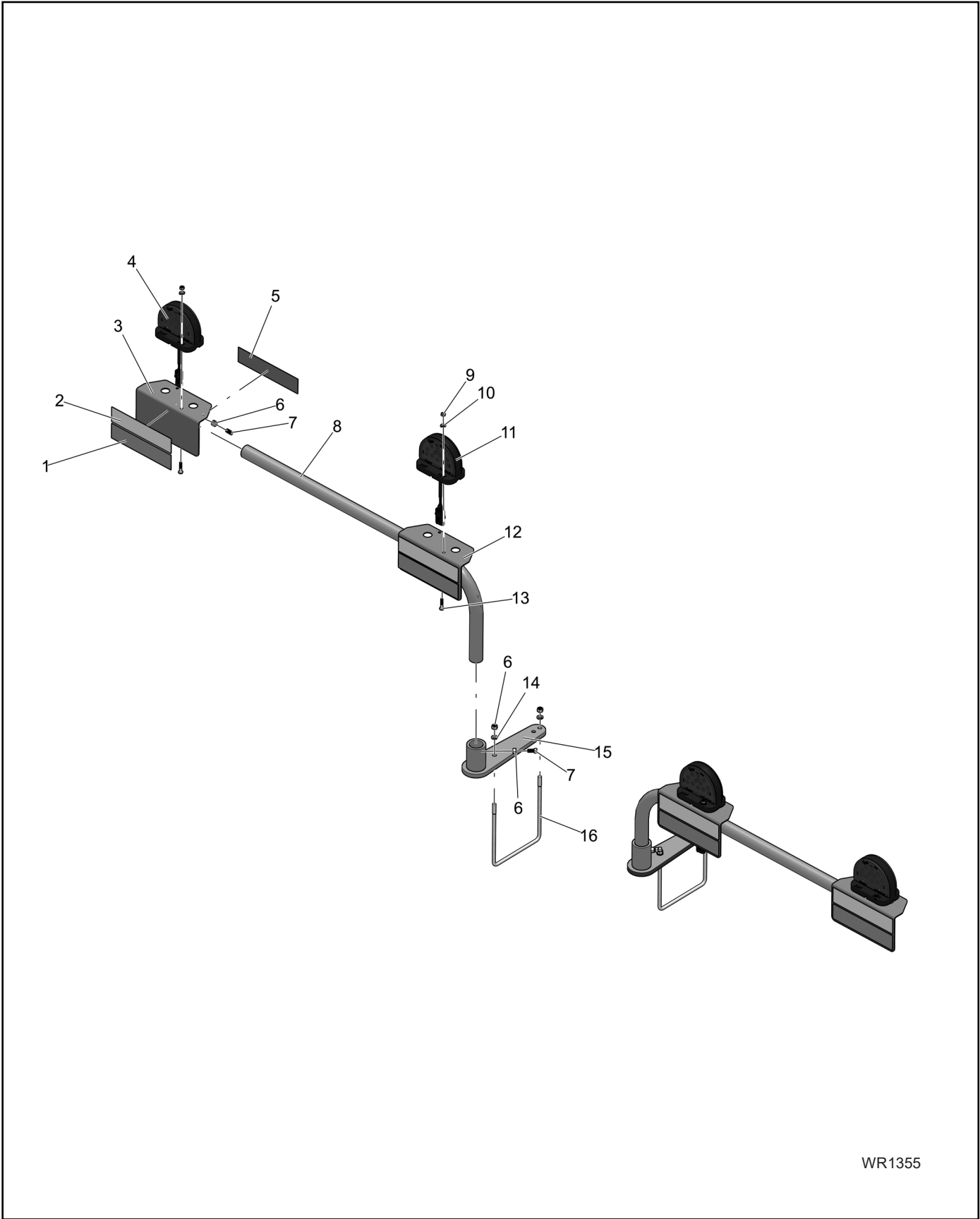
# ELECTRICAL SYSTEM

## Harness, Seed Meter & Sensor, Row Unit

REF.	FN	Part Number	Series	Qty.	Description
1		266278		1	HARNESS, Seed Unit & Sensor
2		238487		1	SEAL
3		232658		1	COVER
4		50270301212		3	SCREW, Thermal Plastic, Torx, 3mm x 12mm

# ELECTRICAL SYSTEM

## LED Safety Lights



WR1355

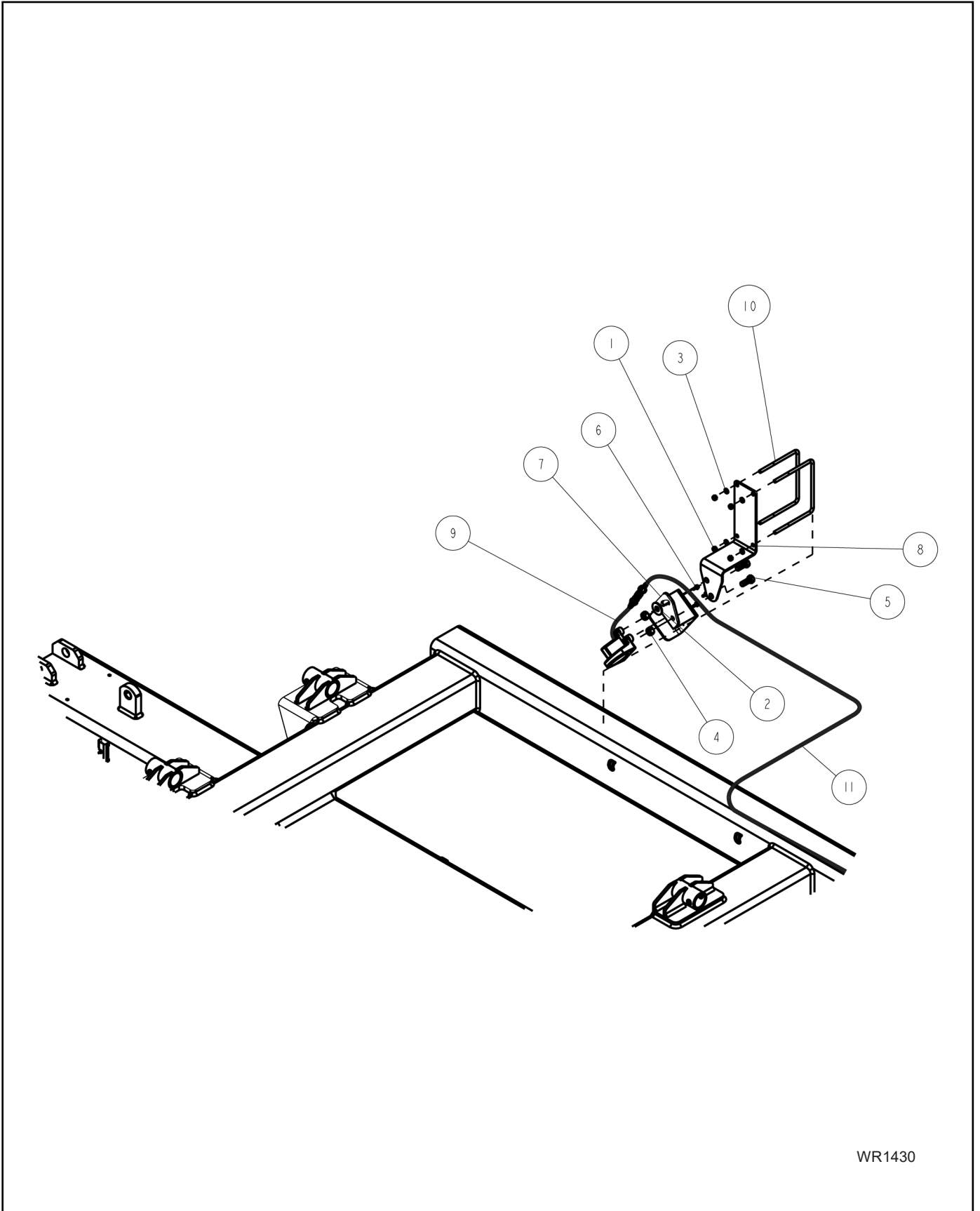
## ELECTRICAL SYSTEM

## LED Safety Lights

REF.	FN	Part Number	Series	Qty.	Description
1		P22371		4	REFLECTOR, Red
2		P223118		4	TAPE, SMV Fluorescent Orange, 2 x 9
3		4000360600		4	PLATE, Formed
4		P321362		2	LED, Hazard Surf (Grote), Light-Amber
5		P22372		2	REFLECTOR, Retroreflective Amber
6		P88103		10	NUT, Hex, 3/8"-16 5ZP
7		P88702		6	SCREW, Set, 3/8"NC x 3/4" SQHD CUP-PT ZP
8		4000360754		2	ARM, Light, 12 x 36 Chassis Gray
9		P88172		8	NUT, Hex, 1/4"-20 5ZP
10		P88362		8	WASHER, Helical, 3/8"ID
11		P321363		2	LIGHT, Red Stop/Tail LED Surf (Grote)
12		4000360884		4	BRACKET, Light Reflector w/Reflectors
13		P89028		8	BOLT, Hex, 1/4"-20NC x 1-1/4" 5ZP
14		P88262		4	WASHER, Lock, 1/4"ID (5/16" ACT) ZP
15		4000360753		2	BASE, Long Pivot
16		P89277		2	BOLT, U-Type, 3/8"-16NC x 7" x 8-1/4" ZP
17		30006844		1	HARNESS, LED Safety Light, 10K 60', Not Shown
18		P33096		25	TIE WRAP, (Cable Tie 32"), Not Shown

# ELECTRICAL SYSTEM

## Radar



WR1430

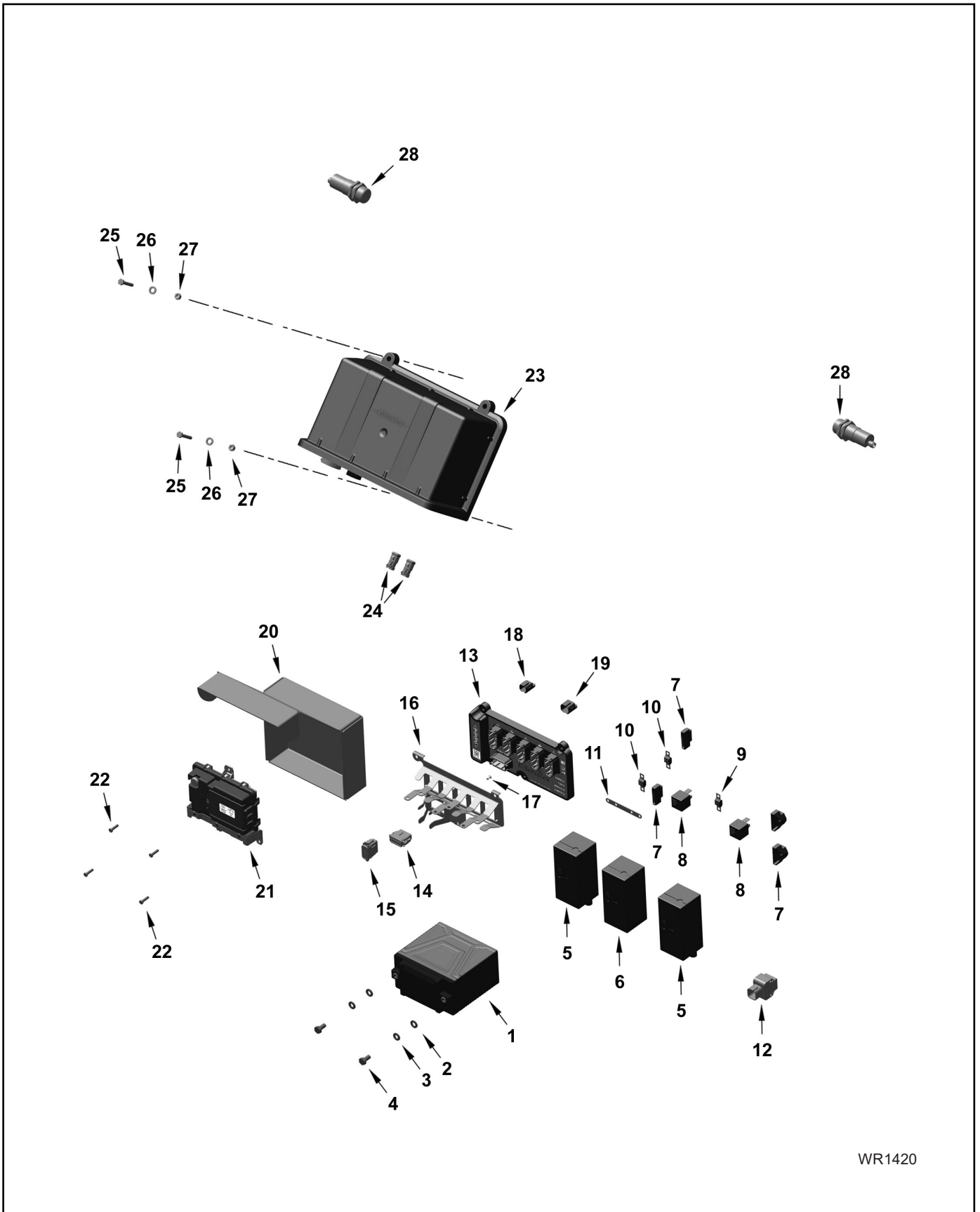
# ELECTRICAL SYSTEM

## Radar

REF.	FN	Part Number	Series	Qty.	Description
1		88103		4	NUT, Hex, 3/8"-16, Gr 5
2		88277		1	WASHER, 5/8" Gr 2
3		88362		4	WASHER, Helical, 3/8"
4		88369		2	NUT, Lock, 5/8"-11NC, Gr 5
5		88577		2	BOLT, Hex, 5/8"-11NC x 1-1/2", Gr 5
6		354712		3	BOLT, Hex Flg., M6 x 16, CI 10.9
7		468811		1	BRACKET, Mounting
8		30006849		1	PLATE, Mounting, Radar
9		251737		1	SENSOR, Radar
10		A35563		2	U-BOLT, 0.375 x 7 x 8.063 x 7
11		30015066		1	HARNESS, Radar

# ELECTRICAL SYSTEM

## Control Box - PDB, Fuse Box, WSX



WR1420



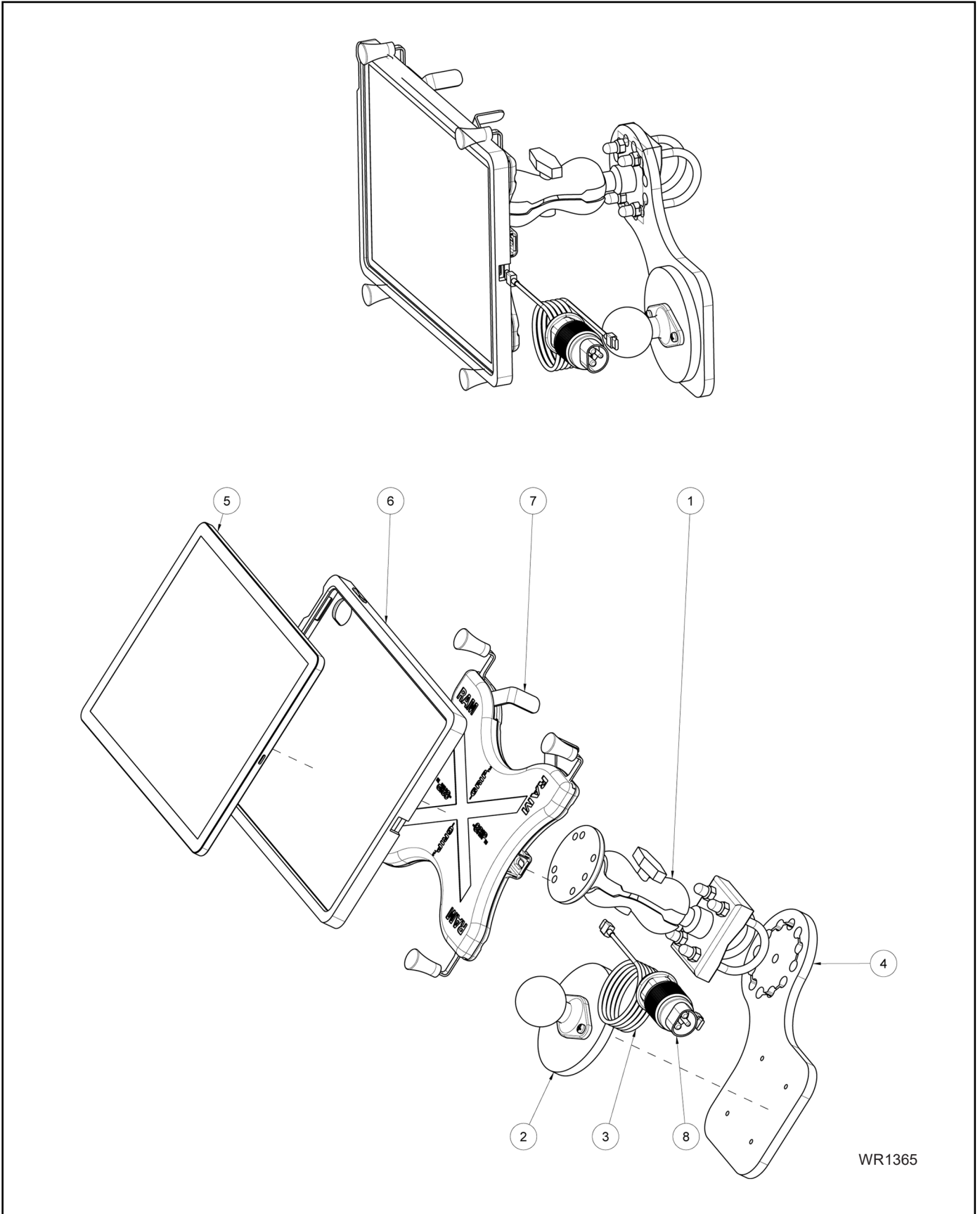
## ELECTRICAL SYSTEM

## Control Box - PDB, Fuse Box, WSX

REF.	FN	Part Number	Series	Qty.	Description
1		264769		1	BATTERY, 48V 2AH
2		5200600042		2	WASHER, Flat, 8.4 x 16 x 1.6
3		52030600092		2	WASHER, Lock
4		50000601222		2	BOLT, Hex, M6 x 16, CL 8.8
		30005933		1	FUSE BOX ASSY., Inc. 5-11
5		196076		2	PANEL, Jack
6		196072		1	PANEL, Jack
7		196077		4	BRACKET
8		203180		2	RELAY
9		203177		1	FUSE, 30A
10		160566		2	FUSE, 60A
11		30006424		1	BRACKET
12		276533		1	SENSOR, Rotary, +/- 60
13		30015431		1	CONTROL BOX, WSX, Inc. 14 & 15
14		245008		5	PLUG, 12s
15		199551		1	PLUG
16		30008929		1	BRACKET, Connector Stabilizer WSX, Inc. 17
17		30009228		9	SCREW
18		180293		1	COVER, 2P
19		180294		1	COVER, 4P
		30019902		1	CONTROL BOX ASSY., ACU6, Inc. 20 & 21
20		30019945		1	BRACKET, Mounting
21		293013		1	BOX, Control, ACU6
22		89339		4	BOLT, Hex
23		265880		1	CONTROL BOX ASSY., PDB
24		212223		2	Cover, 2P
25		88504		4	BOLT, Hex, 1/4" - 20NC x 1 - 1/2"
26		88262		4	WASHER, Lock, 1/4"
27		88172		4	NUT, Hex, 1/4"
28		251744		2	SENSOR, Bin Level

# ELECTRICAL SYSTEM

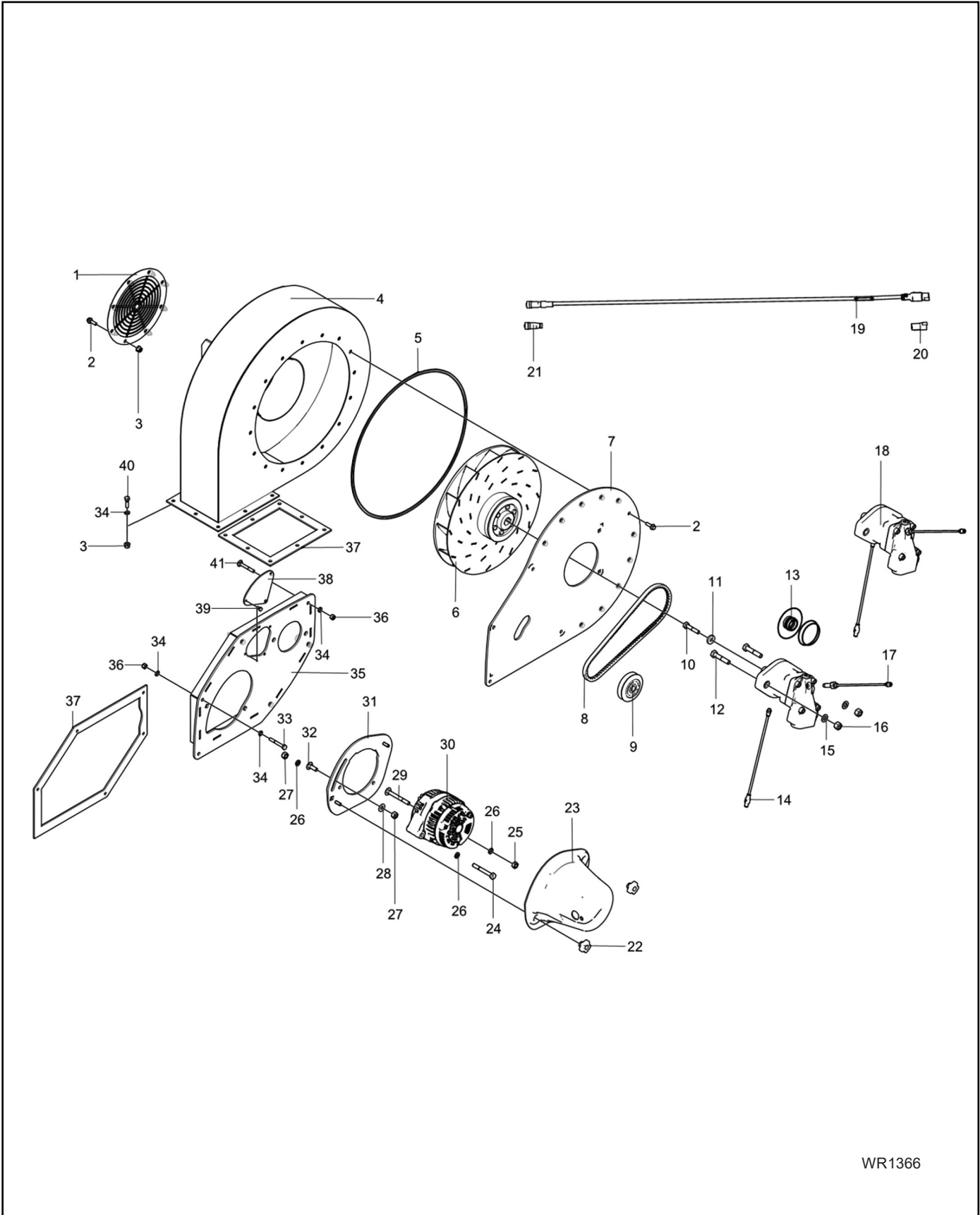
## E-Keeper



REF.	FN	Part Number	Series	Qty.	Description
1		177670		1	BRACKET
2		270145		1	MAGNET
3		30007331		1	CABLE
4		30009229		1	BRACKET
5		30009801		1	BOX, Control, Tablet
6		30009802		1	GUARD
7		30009804		1	HOLDER
8		30011410		1	ADAPTER

# ELECTRICAL SYSTEM

## Pressure Fan, Seed Meter



WR1366

## ELECTRICAL SYSTEM

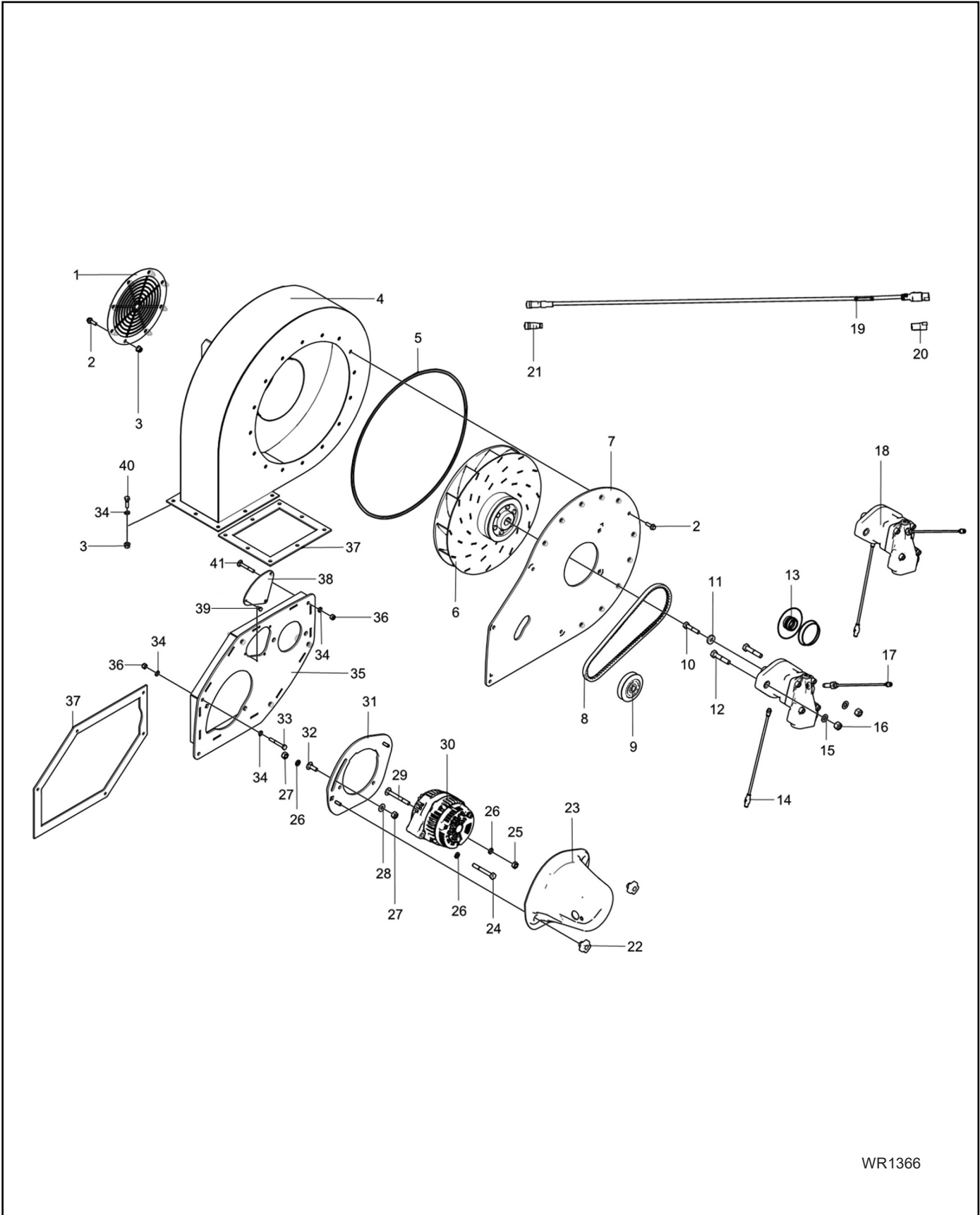
## Pressure Fan, Seed Meter

REF.	FN	Part Number	Series	Qty.	Description
1		203590		1	GRILLE
2		50290802521		19	BOLT, Hex, M8 x 25 8.8
3		51130800021		10	NUT, Flg Lock, M8 8
4		203289		1	HOUSING, Fan
5		267983		1	STRIP
6		272619		1	WHEEL, Fan, With pulley, Reinforced
7		220719		1	PLATE
8		155471		1	BELT
9		157838		1	PULLEY, 85,5 x 22
10		50001005021		1	BOLT, Hex, M10 x 50 8.8
11		52021000041		1	WASHER, 10.5 x 28 x 6
12		50001206021		2	BOLT, Hex, M12 x 60 8.8
13		250415		1	KIT, Sealing, 27 x 39 x 6
14		250416		1	HOSE, Hydraulic, DO:6 DI:4, Drain
15		52001200041		2	WASHER, 13 x 24 x 2.5
16		51011200021		2	NUT, Lock, M12 8
17		250414		1	SENSOR, Speed
18		247758		1	MOTOR, Hydraulic, 10 cc
19		240630		1	HARNESS, Speed Sensor
20		420596		1	CONNECTOR, 4p
21		162974		1	CONNECTOR, 4s
22		429895		2	KNOB
23		159018		1	HOUSING
24		50001008021		1	BOLT, Hex, M10 x 80 8.8
25		51001000021		1	NUT, M10 8
26		52031000091		3	WASHER, Spring, 10.2 x 18.1 x 2.2
27		51011000021		2	NUT, Lock, M10 8
28		52051000041		1	WASHER, 11 x 25 x 1.5
29		50061009021		1	BOLT, Carriage, M10 x 90 8.8
30		221282		1	GENERATOR, 48V
31		276976		1	PLATE
32		50061003021		1	BOLT, Carriage, M10 x 30 8.8
33		50000806021		3	BOLT, Hex, M8 x 60 8.8
34		52000800041		8	WASHER, 8.4 x 16 x 1.6
35		270798		1	BRACKET, Motor and Generator

Continued on the next page.

# ELECTRICAL SYSTEM

## Pressure Fan, Seed Meter



WR1366

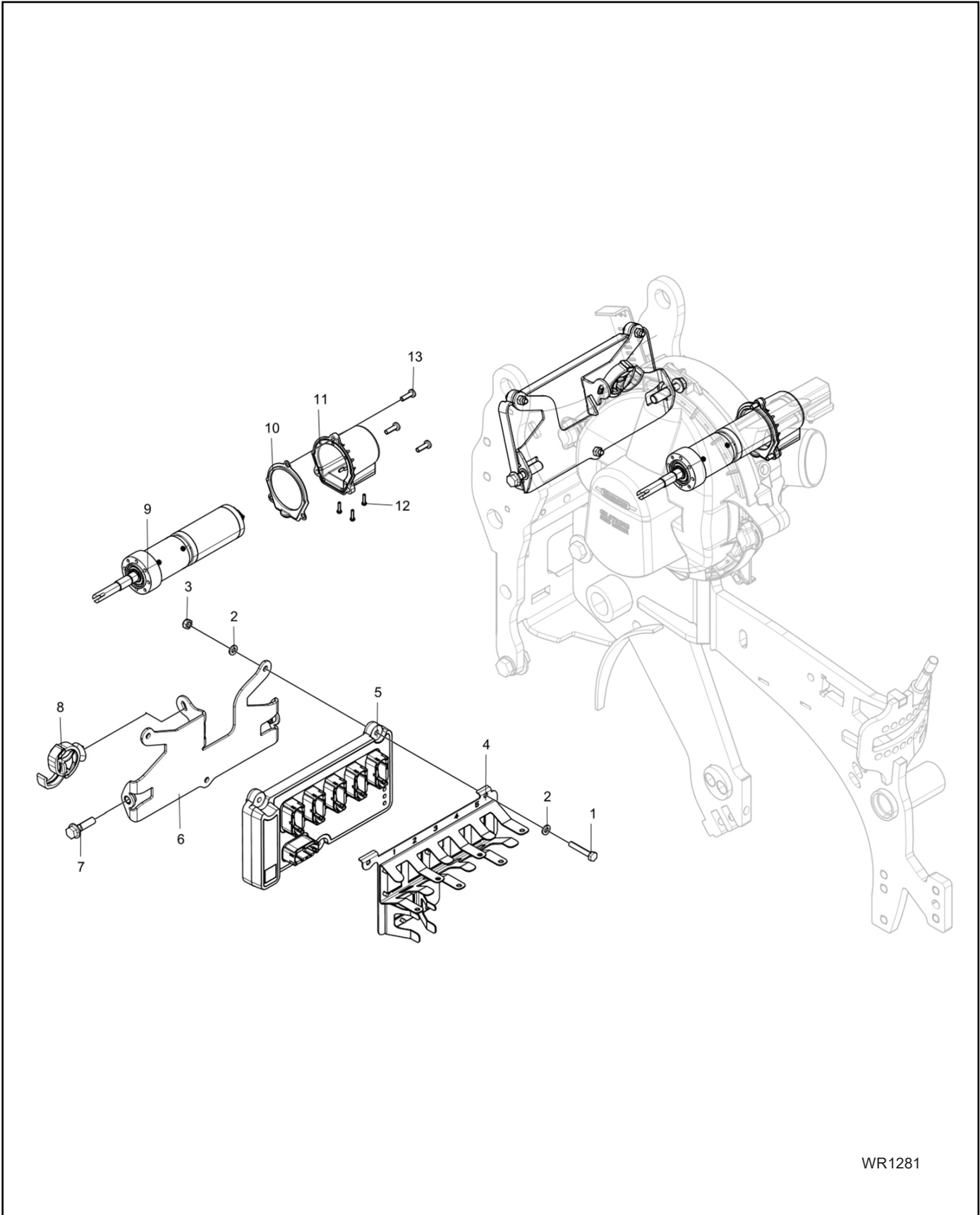
# ELECTRICAL SYSTEM

## Pressure Fan, Seed Meter

REF.	FN	Part Number	Series	Qty.	Description
36		51010800021		3	NUT, Lock, M8 8
37		220726		1	UP
38		272620		1	PLATE
39		50000601222		3	BOLT, Hex, M6 x 12 70
40		50000803021		2	BOLT, Hex, M8 x 30 8.8
41		50060806021		2	BOLT, Carriage, M8 x 60 8.8

# ELECTRICAL SYSTEM

## Electric Motor



WR1281



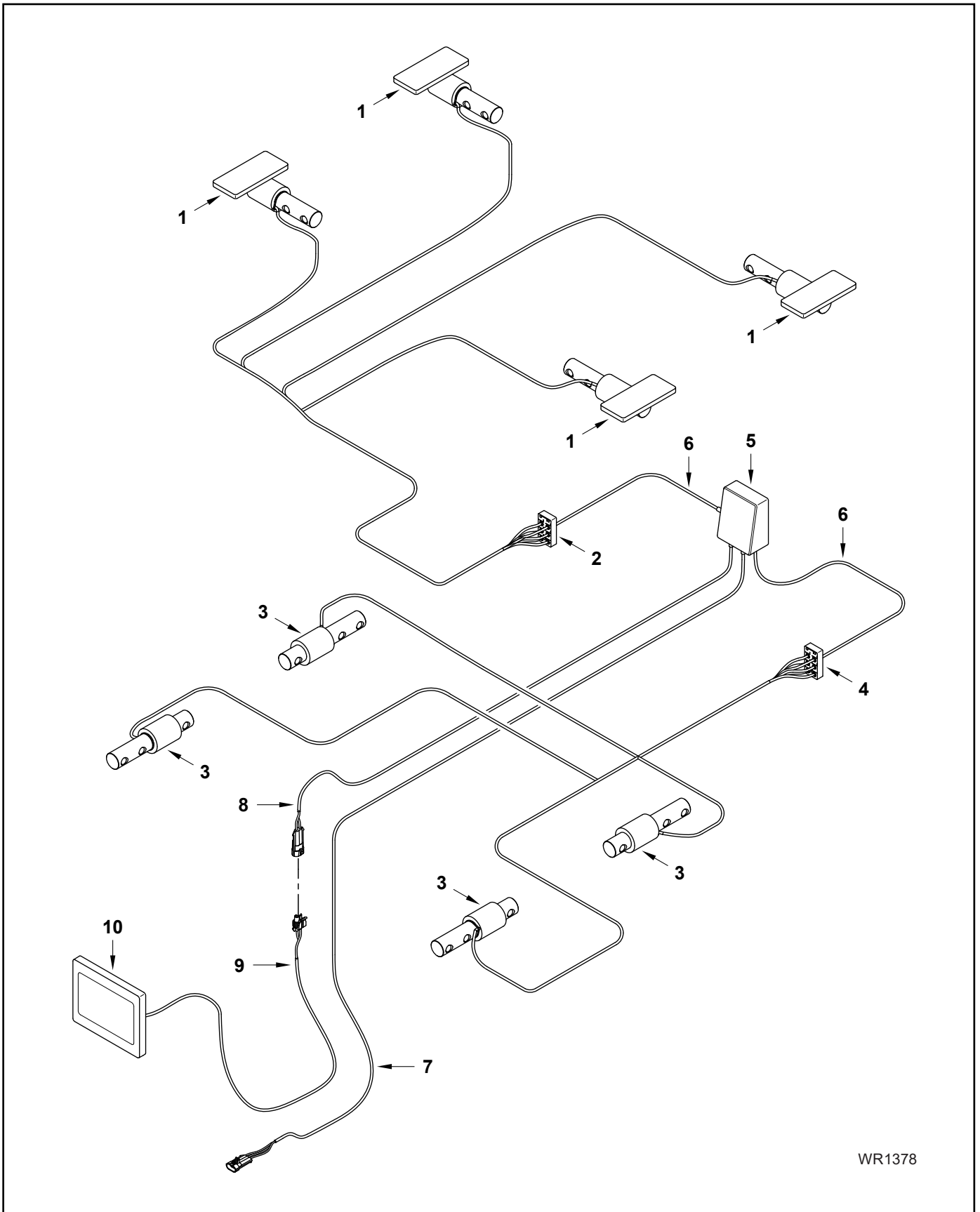
# ELECTRICAL SYSTEM

## Electric Motor

REF.	FN	Part Number	Series	Qty.	Description
1		50010603521		3	BOLT, Hex, M6 x 35 8.8
2		52000600042		6	WASHER, 6.4 x 12 x 1.6
3		51010300022		3	NUT, Lock, M6 70
4		30008929		1	BRACKET, Connector Stabilizer WSX
5		30015431		1	CONTROL BOX, WSX 48V
6		252778		1	BRACKET
7		50020803021		2	BOLT, Hex, M8 x 30 90
8		265579		1	BRACKET
9		231667		1	MOTOR, Electric, Ø42, 48V
10		250452		1	SEAL
11		250451		1	COVER
12		50270301212		3	SCREW, Thermoplastic, 3 x 12
13		50260501622		3	SCREW, Hex, M5 x 16 70

# ELECTRICAL SYSTEM

## Seed & Fertilizer Tank Circuit



WR1378

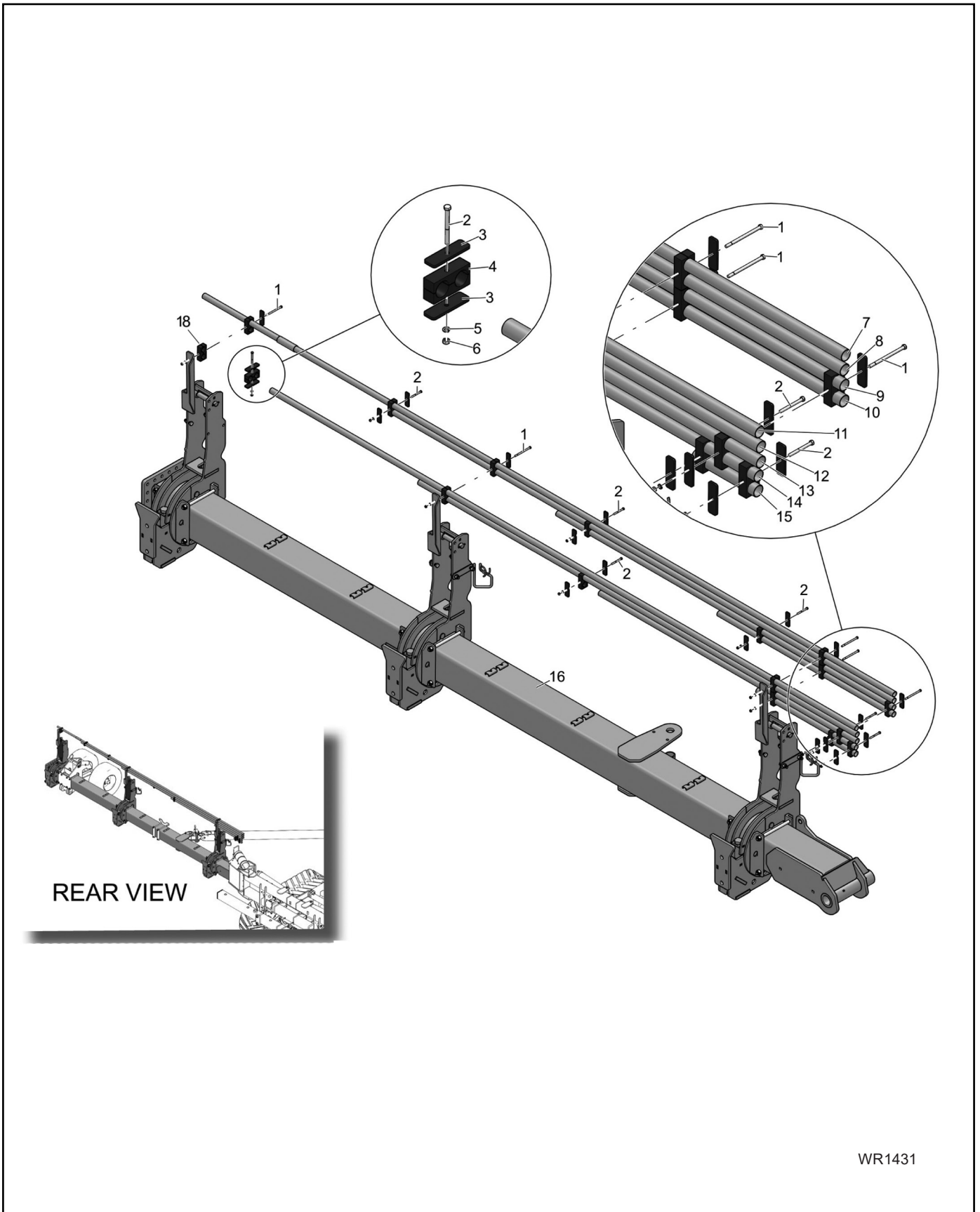
# ELECTRICAL SYSTEM

## Seed & Fertilizer Tank Circuit

REF.	FN	Part Number	Series	Qty.	Description
1		354749		4	LOAD CELL, Seed Tank, Rear
2		354724		1	J-BLOCK, Seed Tank, Rear
3		354749		4	LOAD CELL, Fertilizer Tank, Front
4		354724		1	J-BLOCK, Fertilizer Tank, Front
5		360332		1	SCALE LINK
6		360335		2	HARNESS, EZ-Mate, 2'
7		360334		1	HARNESS, Power, 70'
8		331692		1	HARNESS, Remote, 50'
9		331691		1	HARNESS, Remote, 25'
10		331690		1	DISPLAY

# APPLICATION SYSTEM

## Seed Delivery Tubes, LH & RH



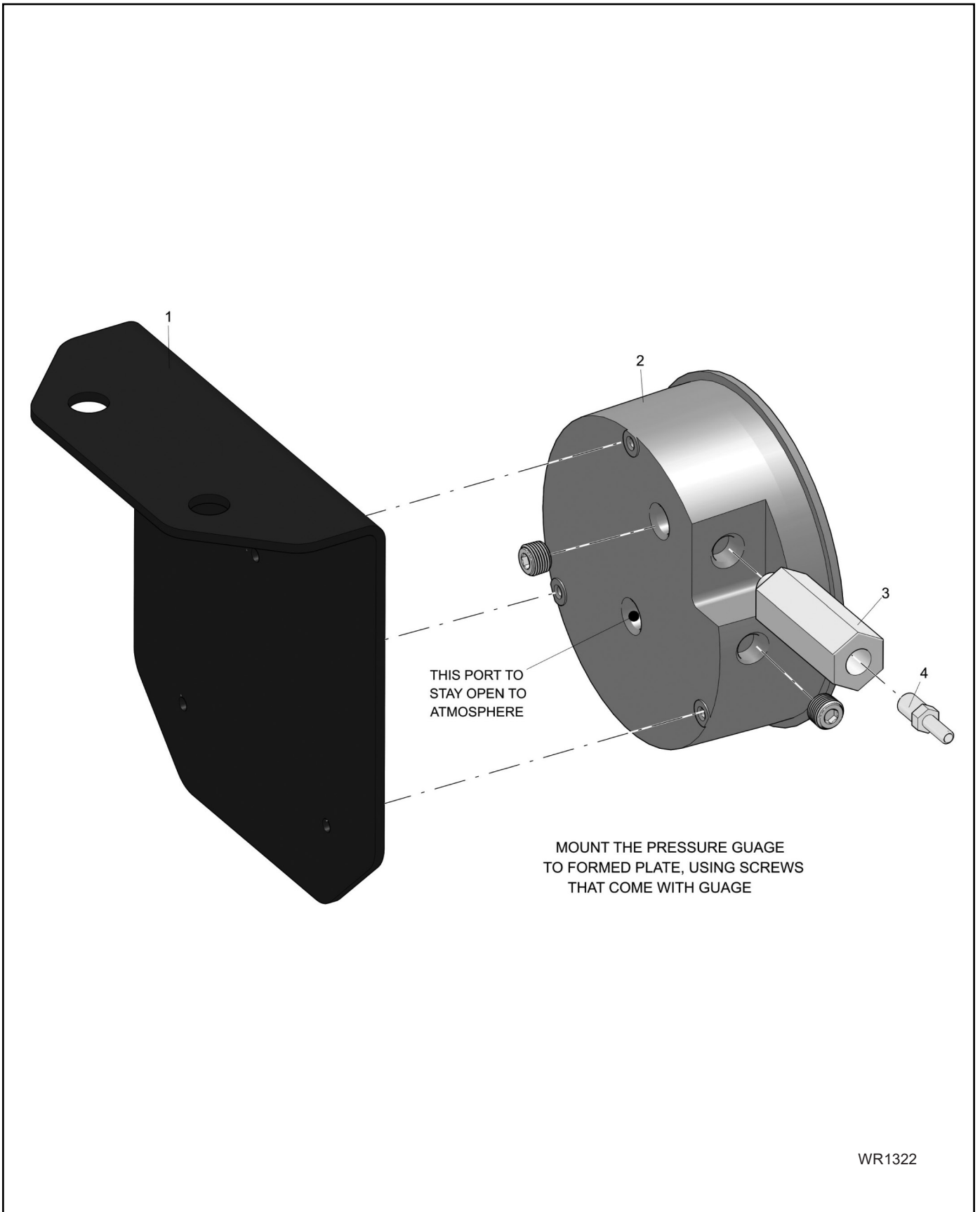
# APPLICATION SYSTEM

## Seed Delivery Tubes, LH & RH

REF.	FN	Part Number	Series	Qty.	Description
1		P88802		8	BOLT, Hex, 5/16"-18NC x 5-1/2" 5Z
2		P88810		12	BOLT, Hex, 5/16"-18NC x 3-1/2" 5Z
3		4000360809		40	PLATE, Back, Tube Clamp, 1-1/2" DIA
4		P247331		34	CLAMP, Half, 1-1/2" Twin
5		P88358		24	WASHER, Helical, 5/16"ID ZP
6		P88127		24	NUT, Hex, 5/16"-18NC 5ZP
7		4000360803		2	TUBE, Seed Delivery Weld, 1-1/2" DIA 248"
8		4000360805		2	TUBE, Seed Delivery, 1-1/2" DIA 184"
9		4000360802		2	TUBE, Seed Delivery, 1-1/2" DIA 123"
10		4000360799		2	TUBE, Seed Delivery, 1-1/2" DIA 64"
11		4000360804		2	TUBE, Seed Delivery, 1-1/2" DIA 214"
12		4000360806		2	TUBE, Seed Delivery, 1-1/2" DIA 160"
13		4000360807		2	TUBE, Seed Delivery, 1-1/2" DIA 94"
14		4000360800		2	TUBE, Seed Delivery, 1-1/2" DIA 36"
15		4000360801		2	TUBE, Seed Delivery, 1-1/2" DIA 10"
16		4000360893		1	WING, Left, 24R30 60'
17		4000360894		1	WING, Right, 24R30 60', Not Shown
18		30001586		6	BRACKET, Seed Tube Mount

# APPLICATION SYSTEM

## Air Pressure Gauge



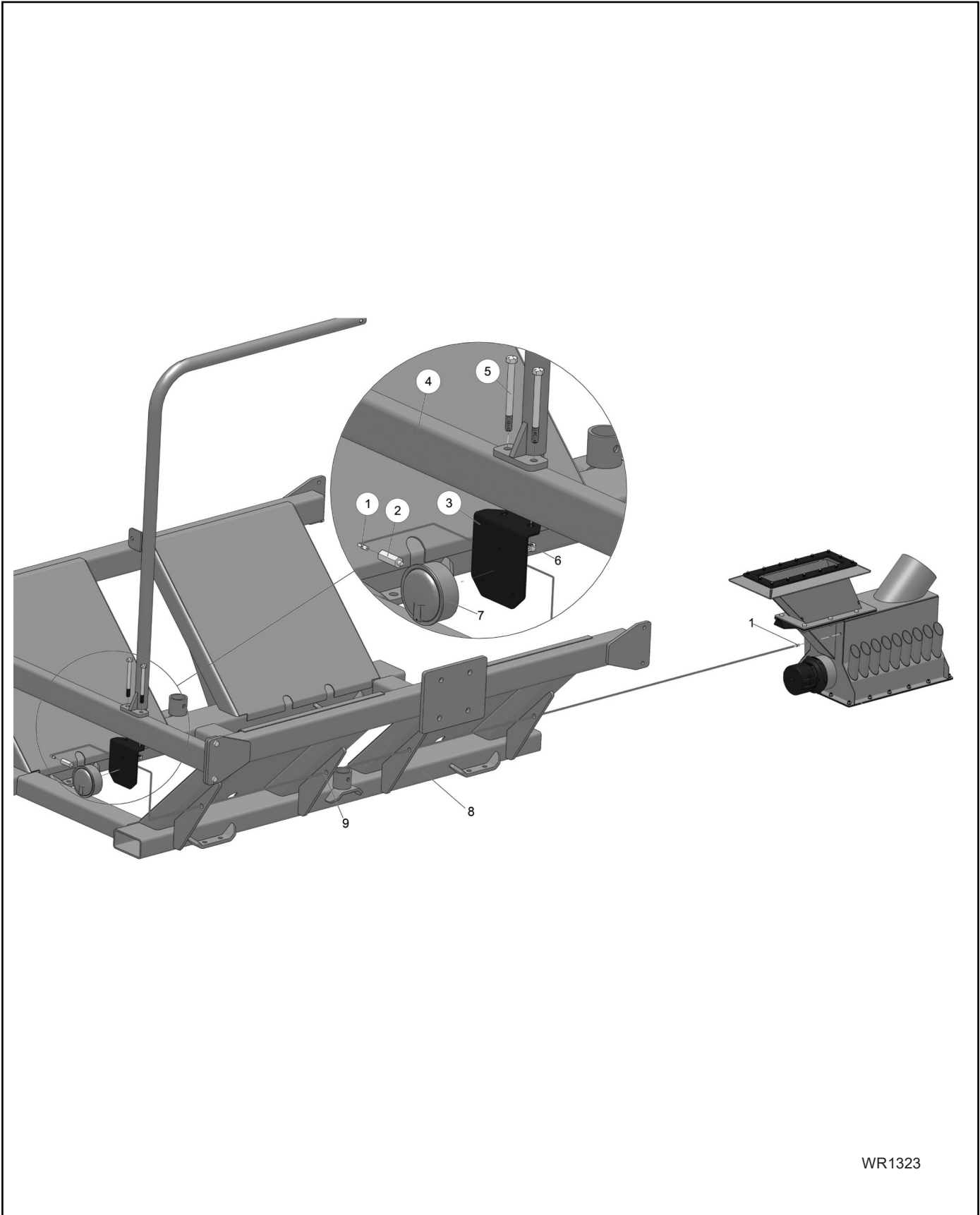
APPLICATION SYSTEM

Air Pressure Gauge

REF.	FN	Part Number	Series	Qty.	Description
1		30001583		1	PLATE, Formed, Air Pressure Gauge
2		P354725		1	GAUGE, Air Pressure, 0-60"
3		P354407		1	FILTER, Air, A-392
4		P354406		1	FITTING, Hose Barb, 1/8" NPT x 1/8"

# APPLICATION SYSTEM

## Air Pressure Gauge & Hose Routing



WR1323



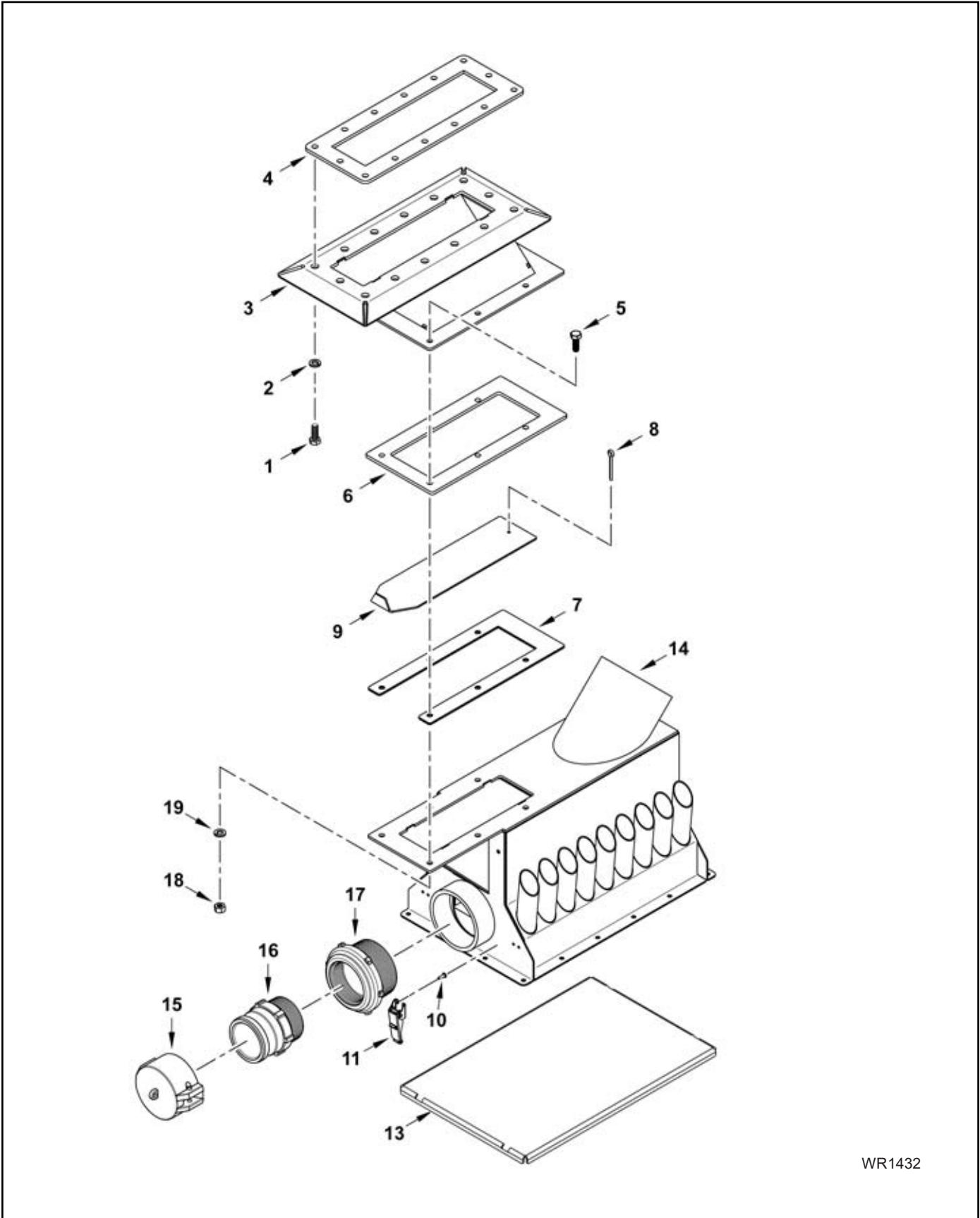
# APPLICATION SYSTEM

## Air Pressure Gauge & Hose Routing

REF.	FN	Part Number	Series	Qty.	Description
1		P354406			FITTING, Hose Barb, 1/8" NPT x 1/8"
2		P354407			FILTER, Air, A-392
3		30001583			PLATE, Formed, Air Pressure Gauge
4		30001637			TUBE, Side Support, Seed Tank
5		P88574			BOLT, Hex, 1/2"-13NC x 5-1/2" 5Z
6		P88363			NUT, Lock, 2 POS 1/2"-13NC 2ZP
7		P354725			GAUGE, Air Pressure, 0-60"
8		30001560			CRADLE, 750GAL Tank/T5 BU
9		354408		1	TUBING, Clear Vinyl, 1/8" DIA X 16', Plenum
10		3001638		1	CRADLE ASSEMBLY, Seed Tanks, Rear, Not Shown
11		30006264		1	TUBING, Row Unit, Clear Vinyl, 1/8" x 28ft., Not Shown
12		3001567		1	CRADLE ASSEMBLY, Liquid Tanks, Front, Not Shown

# APPLICATION SYSTEM

## Plenum Assembly



WR1432

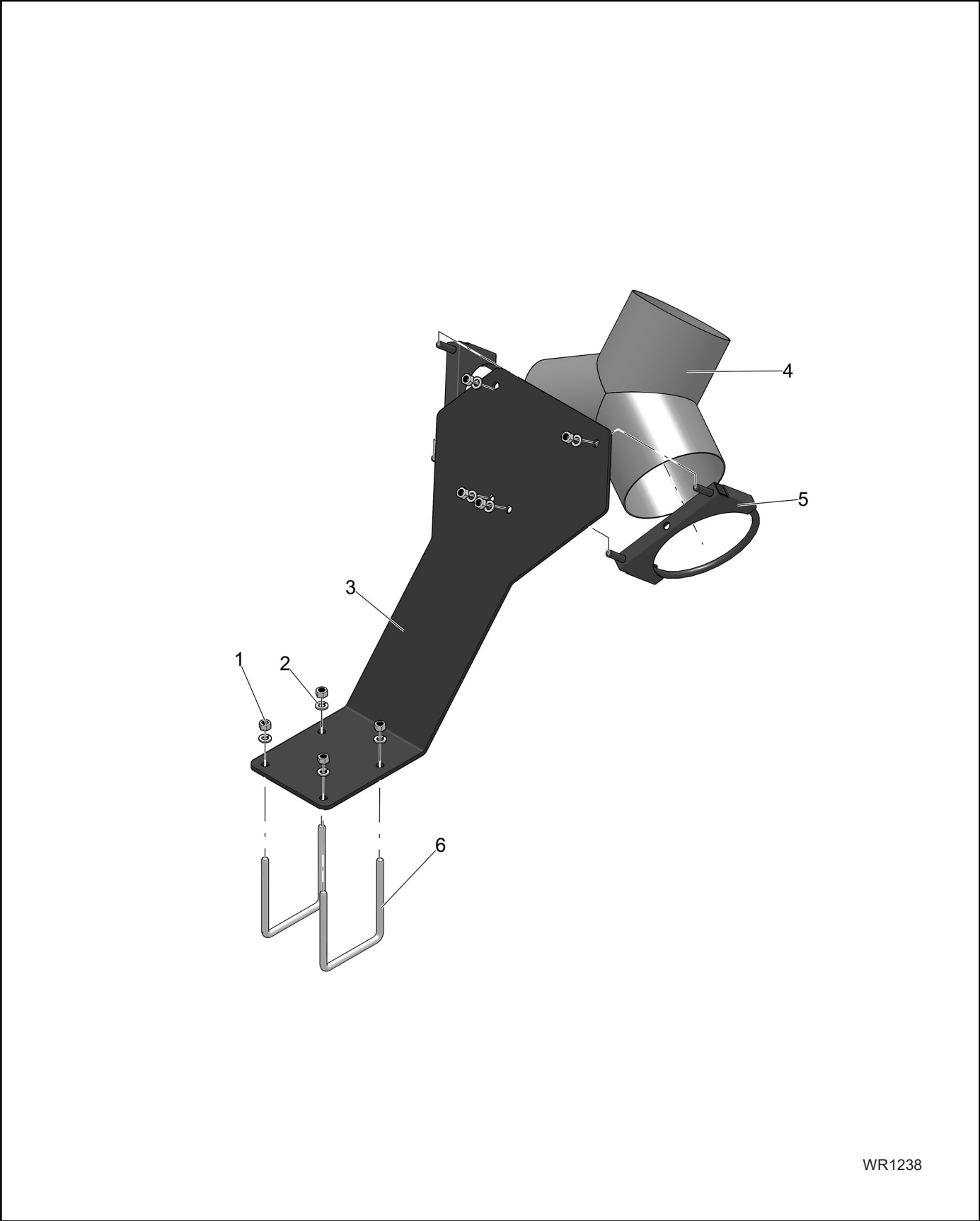
# APPLICATION SYSTEM

## Plenum Assembly

REF.	FN	Part Number	Series	Qty.	Description
1		P89451		14	BOLT, Hex, 3/8"-16NC x 1 SS 5
2		PA65706		14	WASHER, Lock, 3/8" 18-8SS
3		30001573		1	WELD, Transition, Upper Plenum
4		P243569		1	GASKET, Tank, 750GAL Tank
5		P89034		6	BOLT, Hex, 3/8"-16NC x 1" 5ZP
6		4000360883		1	GASKET, Plenum Top
7		30001579		2	PLATE, Spacer Plenum
8		P88560		1	PIN, Cot, 1/8" DIA x 1-1/4" Z
9		30001577		1	PLATE, Seed Gate
10		89634		16	RIVETS
11		248097		8	CLAMP
12		30006897		4	GASKET, Not Shown
13		30006895		2	COVER, Bottom
14		30001585		1	PLENUM
15		P351031		1	ADAPTER, Cap Male Banjo, 3" 300CAP
16		P355401		1	ADAPTER, F Cam Lever, 3"
17		P355400		1	BUSHING, Reducer, 4" x 3"
18		P88103		6	NUT, Hex, 3/8"-16NC 5ZP
19		P88362		6	WASHER, Helical, 3/8" ID ZP
20		358998		1	CAP PLUG, Plenum, Not Shown

APPLICATION SYSTEM

Y-Mount Plate Assembly, 6"



WR1238

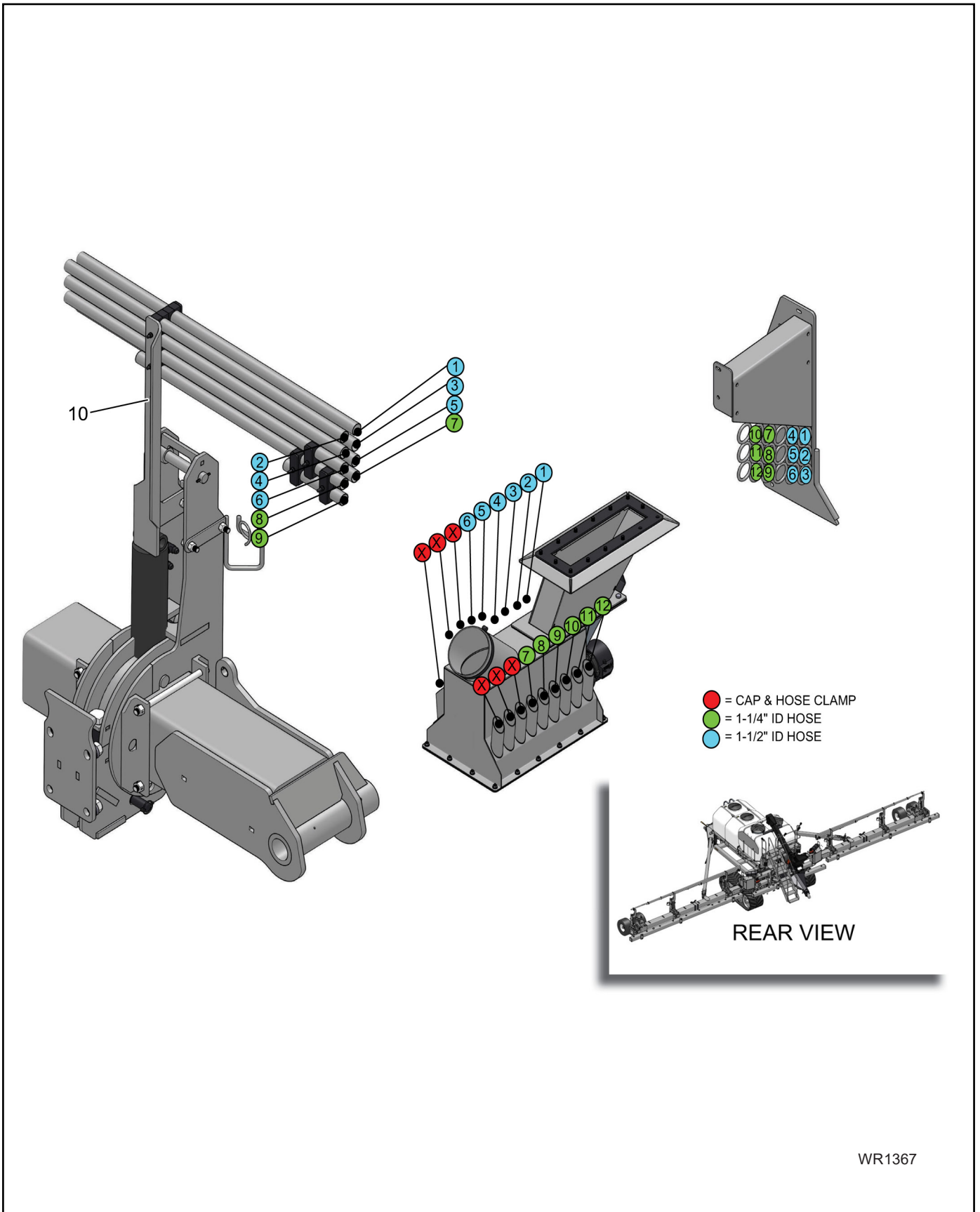
APPLICATION SYSTEM

Y-Mount Plate Assembly, 6"

REF.	FN	Part Number	Series	Qty.	Description
1		P88103		8	NUT, Hex, 3/8"-16NC 5ZP
2		P88362		8	WASHER, Helical, 3/8" ID ZP
3		3001569		1	PLATE, Y Mount, 6"
4		3001581		1	WELD, Y Inlet, 6"
5		PA66964		2	CLAMP, Muffler w/Saddle, 6 ZP
6		P88385		2	BOLT, U-Type, 3/8"-16NC x 4" x 5" Z

# APPLICATION SYSTEM

## Seed Tube Routing, LH



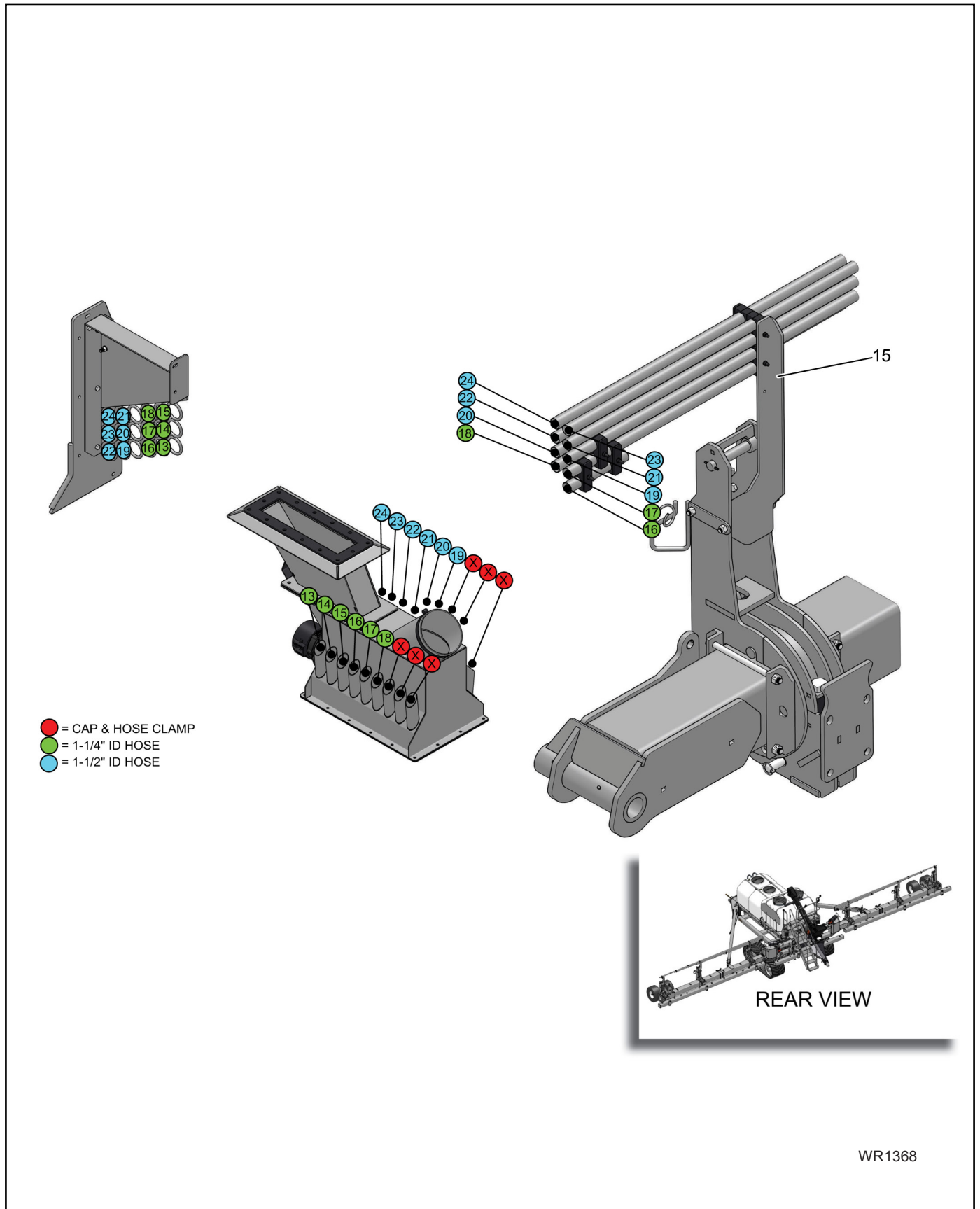
APPLICATION SYSTEM

Seed Tube Routing, LH

REF.	FN	Part Number	Series	Qty.	Description
1		4000360803		1	TUBE, Seed Delivery, 1-1/2" x 248"
2		4000360804		1	TUBE, Seed Delivery, 1-1/2" x 214"
3		4000360805		1	TUBE, Seed Delivery, 1-1/2" x 184"
4		4000360806		1	TUBE, Seed Delivery, 1-1/2" x 160"
5		4000360802		1	TUBE, Seed Delivery, 1-1/2" x 123"
6		4000360807		1	TUBE, Seed Delivery, 1-1/2" x 94"
7		4000360799		1	TUBE, Seed Delivery, 1-1/2" x 64"
8		4000360800		1	TUBE, Seed Delivery, 1-1/2" x 36"
9		4000360801		1	TUBE, Seed Delivery, 1-1/2" x 10"
10		30001586		3	BRACKET, Mounting, Seed Tube
11		358998		6	CAP, Plenum Exhaust, 1-1/2" x 6", Not Shown

# APPLICATION SYSTEM

## Seed Tube Routing, RH





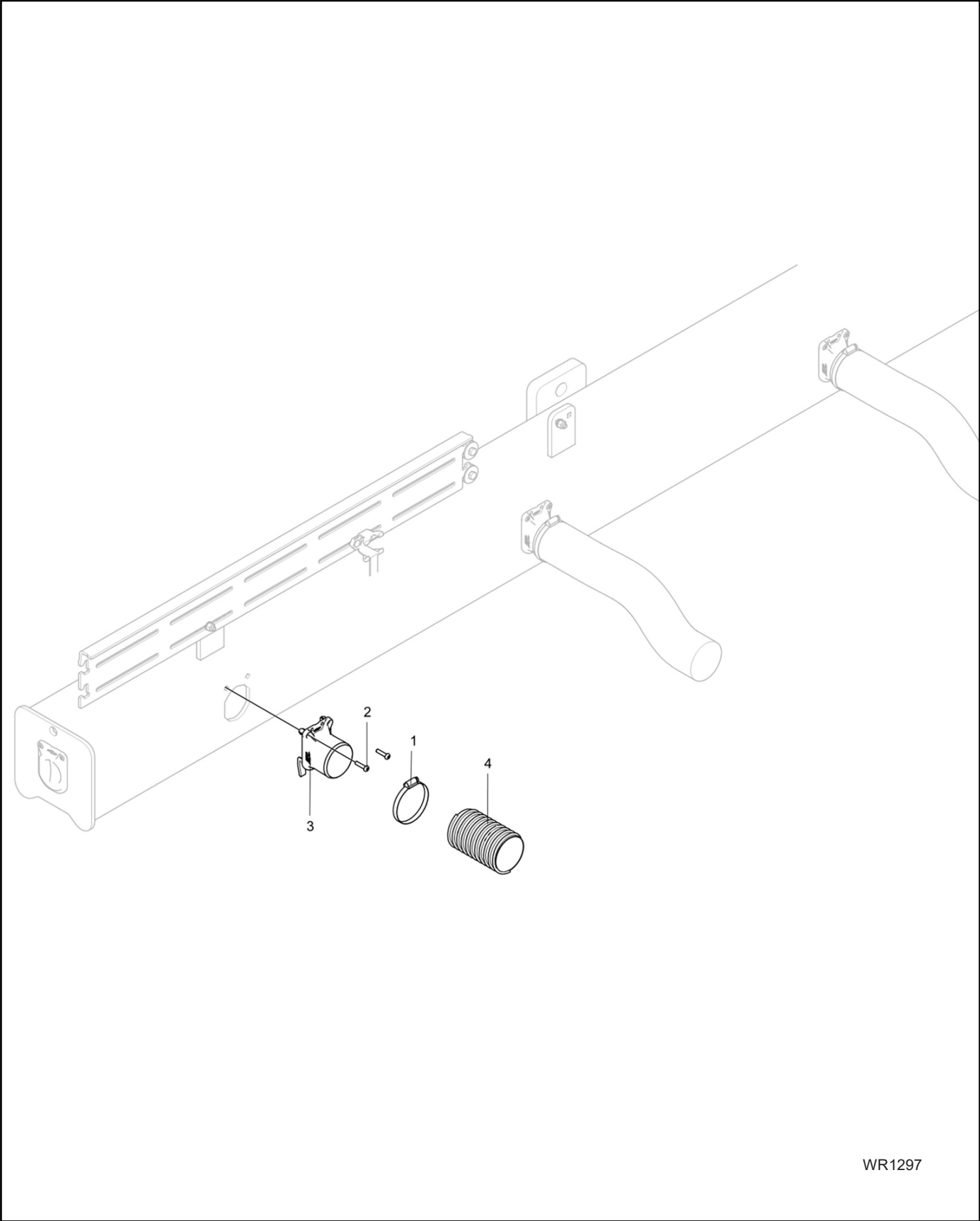
APPLICATION SYSTEM

Seed Tube Routing, RH

REF.	FN	Part Number	Series	Qty.	Description
15		30001586		3	BRACKET, Mounting, Seed Tube
16		4000360801		1	TUBE, Seed Delivery, 1-1/2" x 10"
17		4000360800		1	TUBE, Seed Delivery, 1-1/2" x 36"
18		4000360799		1	TUBE, Seed Delivery, 1-1/2" x 64"
19		4000360807		1	TUBE, Seed Delivery, 1-1/2" x 94"
20		4000360802		1	TUBE, Seed Delivery, 1-1/2" x 123"
21		4000360806		1	TUBE, Seed Delivery, 1-1/2" x 160"
22		4000360805		1	TUBE, Seed Delivery, 1-1/2" x 184"
23		4000360804		1	TUBE, Seed Delivery, 1-1/2" x 214"
24		4000360803		1	TUBE, Seed Delivery, 1-1/2" x 248"
25		358998		6	CAP, Plenum Exhaust, 1-1/2" x 6", Not Shown

# APPLICATION SYSTEM

## Air Hose Connection

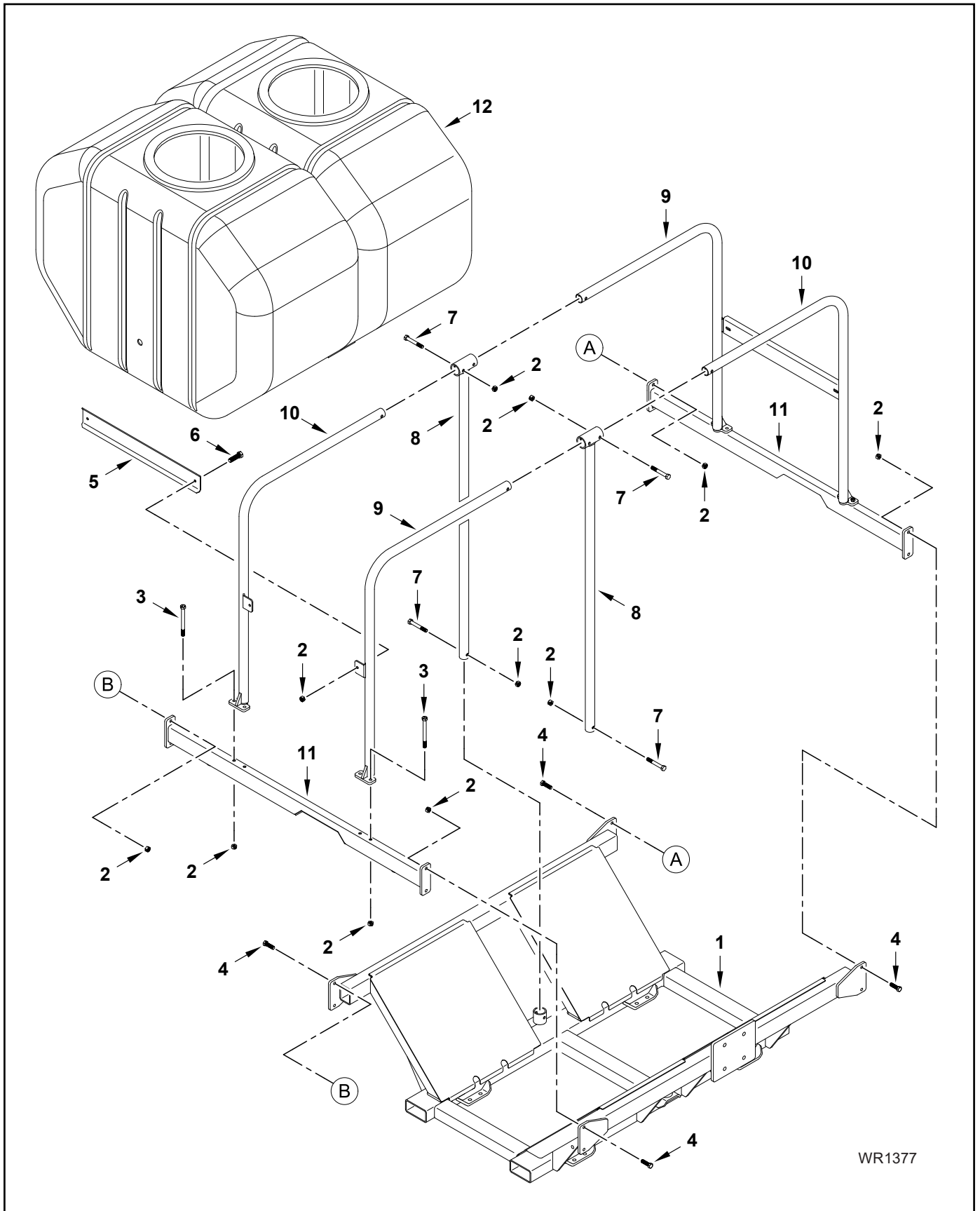


WR1297

REF.	FN	Part Number	Series	Qty.	Description
1		164637		24	HOSE, Clamp, Ø60-80
2		50270602512		48	SCREW, Thermoplastic, 6 x 25
3		211517		24	ADAPTER, 70mm
4		30012816		17	HOSE, Row Unit Air Supply, 2.75" dia.

# PRODUCT CONTAINMENT

## Tank Cradle Assembly, Front



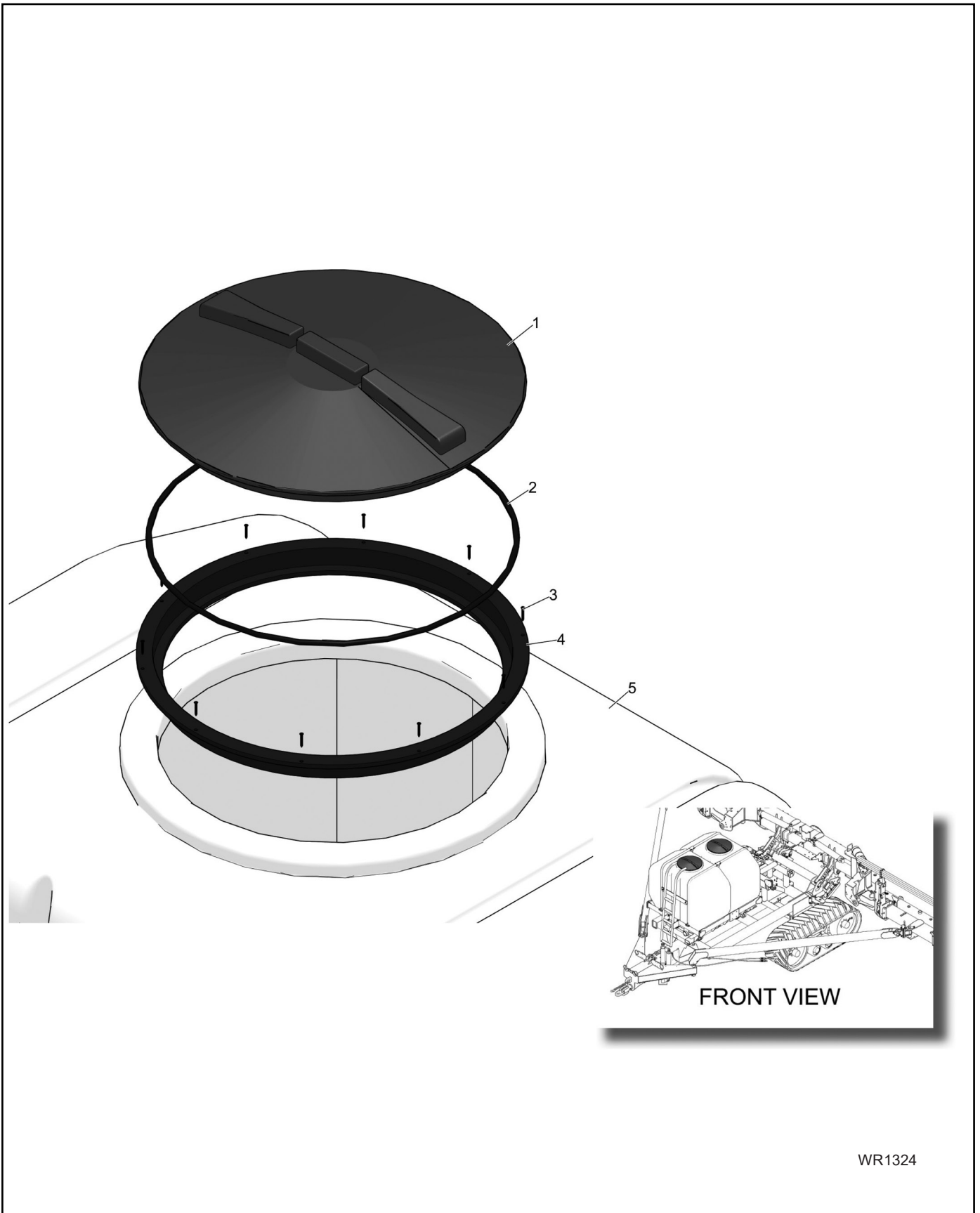
# PRODUCT CONTAINMENT

## Tank Cradle Assembly, Front

REF.	FN	Part Number	Series	Qty.	Description
1		30001560		1	CRADLE, 750GAL Tank
2		P88363		26	NUT, Lock, 2 POS 1/2"-13NC 2ZP
3		P88574		8	BOLT, Hex, 1/2"-13NC x 5-1/2" 5Z
4		P88517		8	BOLT, Hex, 1/2"-13NC x 1-3/4" 5ZP
5		30001564		2	CHANNEL, Formed, Side Tank Support
6		P88873		4	BOLT, CRG, 1/2"-13NC x 1-1/2" 5Z
7		P88507		6	BOLT, Hex, 1/2"-13NC x 3-1/2" 5ZP
8		30001556		2	WELD, Center Tube, Tank Support
9		30001558		2	WELD, Outer Tube, RH Tank Support
10		30001562		2	WELD, Outer Tube, LH Tank Support
11		30001566		2	WELD, Tube, Side Support
12		4000360767		2	TANK, Poly, 75BU 750GAL, Liquid

# PRODUCT CONTAINMENT

## Tank Cover Assembly, Front



WR1324

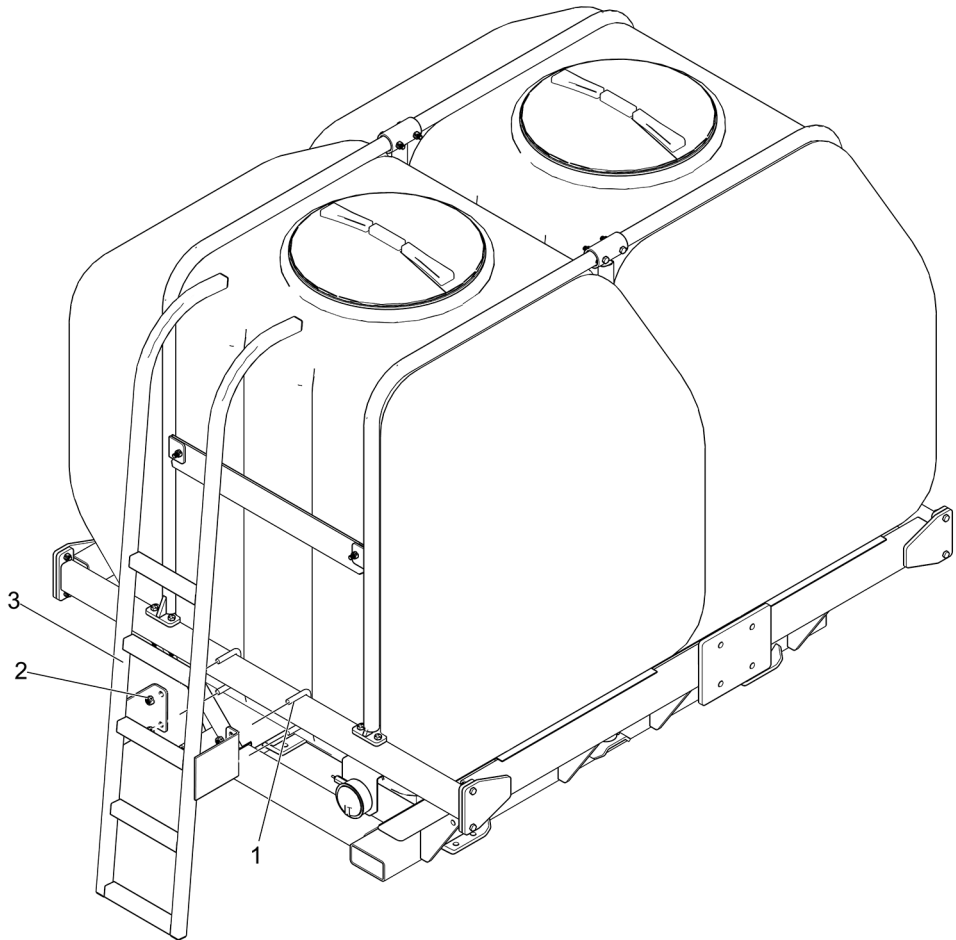
# PRODUCT CONTAINMENT

## Tank Cover Assembly, Front

REF.	FN	Part Number	Series	Qty.	Description
1		P245259		1	COVER ASSEMBLY, Vented Tank, 750 GAL Tank with Insert
2		P244187		1	GASKET, Rubber, 75BU Poly Tank
3		P359999		10	SCREW, Sheet Metal, 10-12 x 1 Philips Drive Flat HS SS
4		P244335		1	LID INSERT, 75BU Tank
5		4000360767		1	TANK, Poly, 750GAL, Yellow

# PRODUCT CONTAINMENT

## Tank Ladder Assembly, Front



WR1196



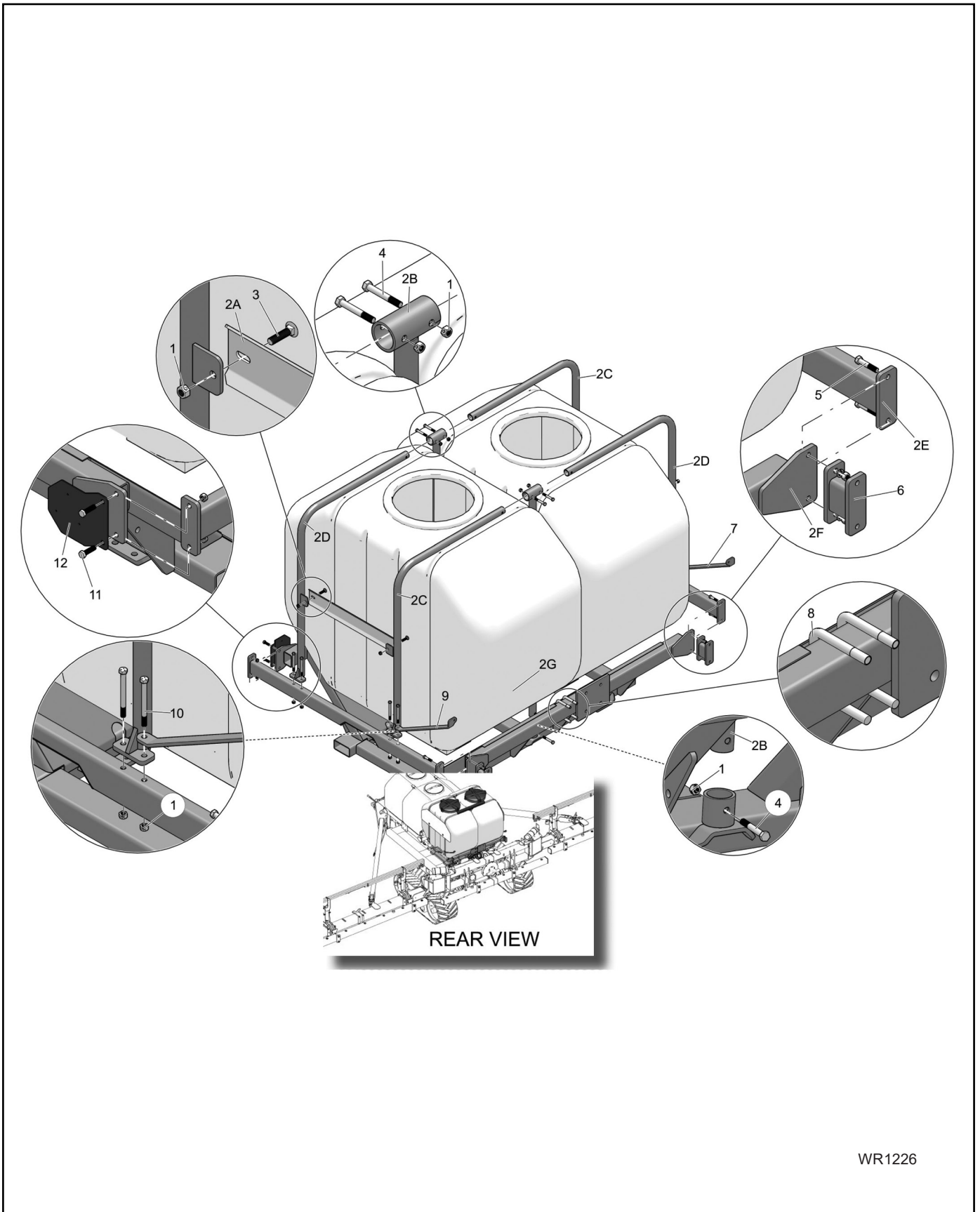
# PRODUCT CONTAINMENT

## Tank Ladder Assembly, Front

REF.	FN	Part Number	Series	Qty.	Description
1		P88388		2	BOLT, U-Type, 5/8"-11NC x 4" x 3-1/4" Z
2		P88369		4	NUT, Lock, 2 POS 5/8"-11NC 5YZP
3		30001553		1	LADDER

# PRODUCT CONTAINMENT

## Tank Assembly, Rear



# PRODUCT CONTAINMENT

## Tank Assembly, Rear

REF.	FN	Part Number	Series	Qty.	Description
1		P88363		18	NUT, Lock, 2 POS 1/2"-13NC 2ZP
2		30001638		1	CONTAINER SUPPORT ASSEMBLY, 75BU Seed Tank
2A		30001564		2	CHANNEL, Formed, Side Tank Support
2B		30001556		2	CENTER TUBE, Tank Support
2C		30001558		2	OUTER TUBE, RH Tank Support
2D		30001562		2	OUTER TUBE, LH Tank Support
2E		30001637		2	TUBE, Side Support w/Cutout, Black
2F		30001560		1	CRADLE, 750GAL Tank
2G		30006291		2	TANK, Poly, 75BU, Yellow
3		P88714		4	BOLT, CRG, 1/2"-13NC x 2" 5Z
4		P88507		6	BOLT, Hex, 1/2"-13NC x 3-1/2" 5ZP
5		P88410		8	BOLT, Hex, 1/2"-13NC x 2-1/2" 5ZP
6		30001592		2	STUB, Platform Mount
7		30001624		1	STRAP, RH-Platform Support
8		P88453		2	BOLT, U-Type, 5/8"-11NC x 4" x 4-1/2" Z
9		30001622		1	STRAP, LH-Platform Support
10		P88574		8	BOLT, Hex, 1/2"-13NC x 5-1/2" 5Z
11		P88517		2	BOLT, Hex, 1/2"-13NC x 1-3/4" 5ZP
12		30001571		1	BRACKET, Air Pressure Gauge

# PRODUCT CONTAINMENT

## Tank Cover Assembly, Rear



WR1227

# PRODUCT CONTAINMENT

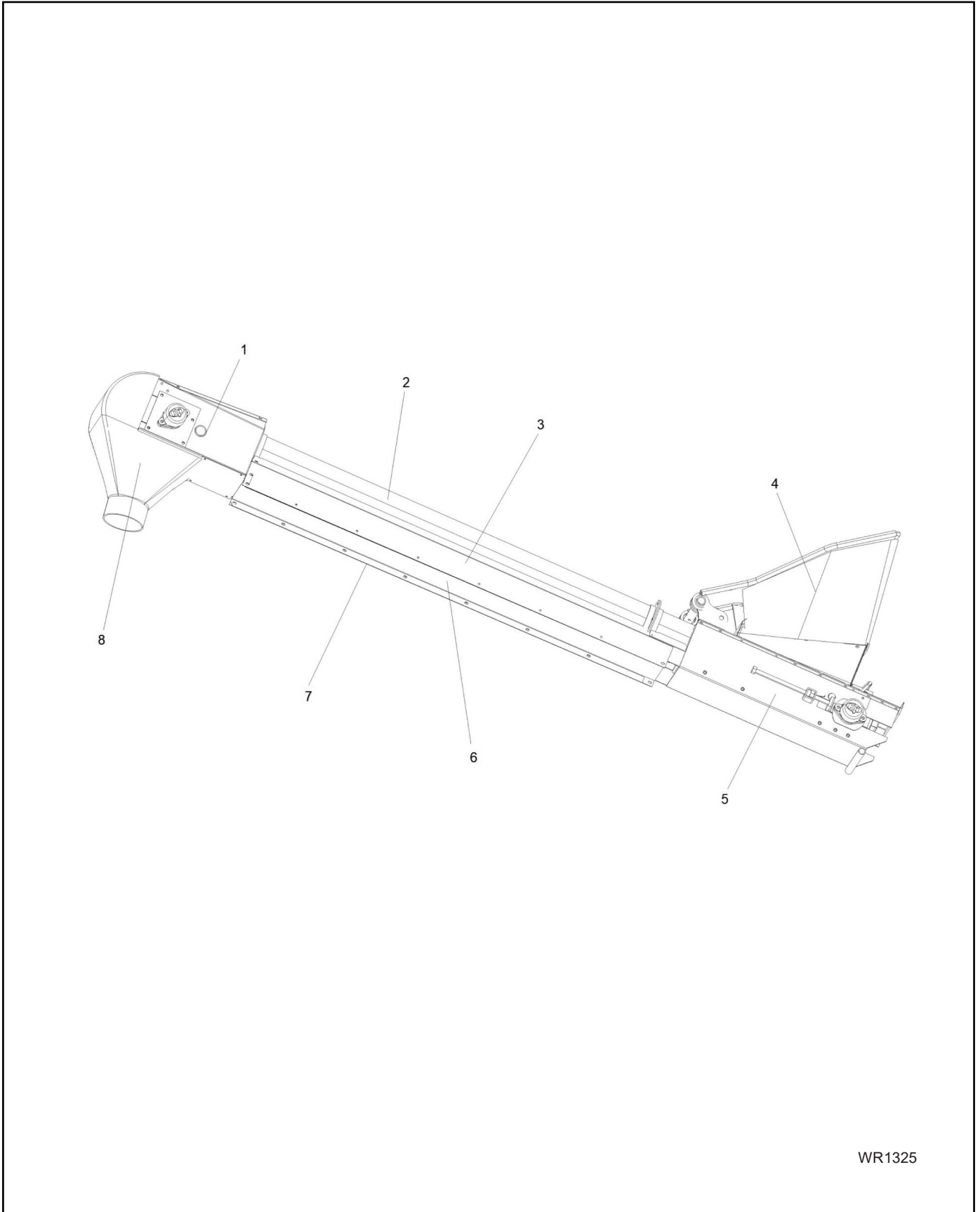
## Tank Cover Assembly, Rear

REF.	FN	Part Number	Series	Qty.	Description
1		359999		12	SCREW, Sheet Metal, 10"-12 x 1" Philips Drive Flat HD SS
2		P353017		3	PLATE, Hook Ploy Cover
3		P248100		1	COVER, Poly Tank, 750 GAL
4		89159		1	BOLT, Hex, 1/4"-20NC x 5" 5ZP
5		30001634		1	RING, Tank Cover Base
6		P248097		3	DRAW LATCH
7		P89483		6	RIVET, 3/16"DIA .376-.500" AB68A
8		P360525		1	SEAL, Kent, N2 BUTYL Sealant 1-1/4" X
9	1	360398		1	GASKET, Rubber, Top Cover Seed Tank
10		P248090		2	PLATE, Half Ring
11		P89484		8	BOLT, Full Thread Tap, 3/8" x 2-1/2"
12		P88997		8	BOLT, Hex, 1/4"-20NC x 1-3/4" 5Z
13		P248092		8	CHANNEL, Tank Cover
14		P59883		8	BUSHING, Spacer, 3/4"OD x 1.06
15		P88237		9	NUT, Lock, 2 POS 1/4"-20NC 5YZ
16		P88261		1	WASHER, Flat, 1/4" (5/16" x 3/4" ACT) 2ZP
17		P248099		1	TUBE, Sleeve Tank Cover
18		59897		73	TRIM SEAL, Push-On, Weather Strip 73", Not Shown
19		353018		1	ROPE, 1/4" x 66", Not Shown

1 - Item 9 mounts inside of item 5.

# PRODUCT CONTAINMENT

## Conveyor Assembly, AGCO Model 0806, 080609-03



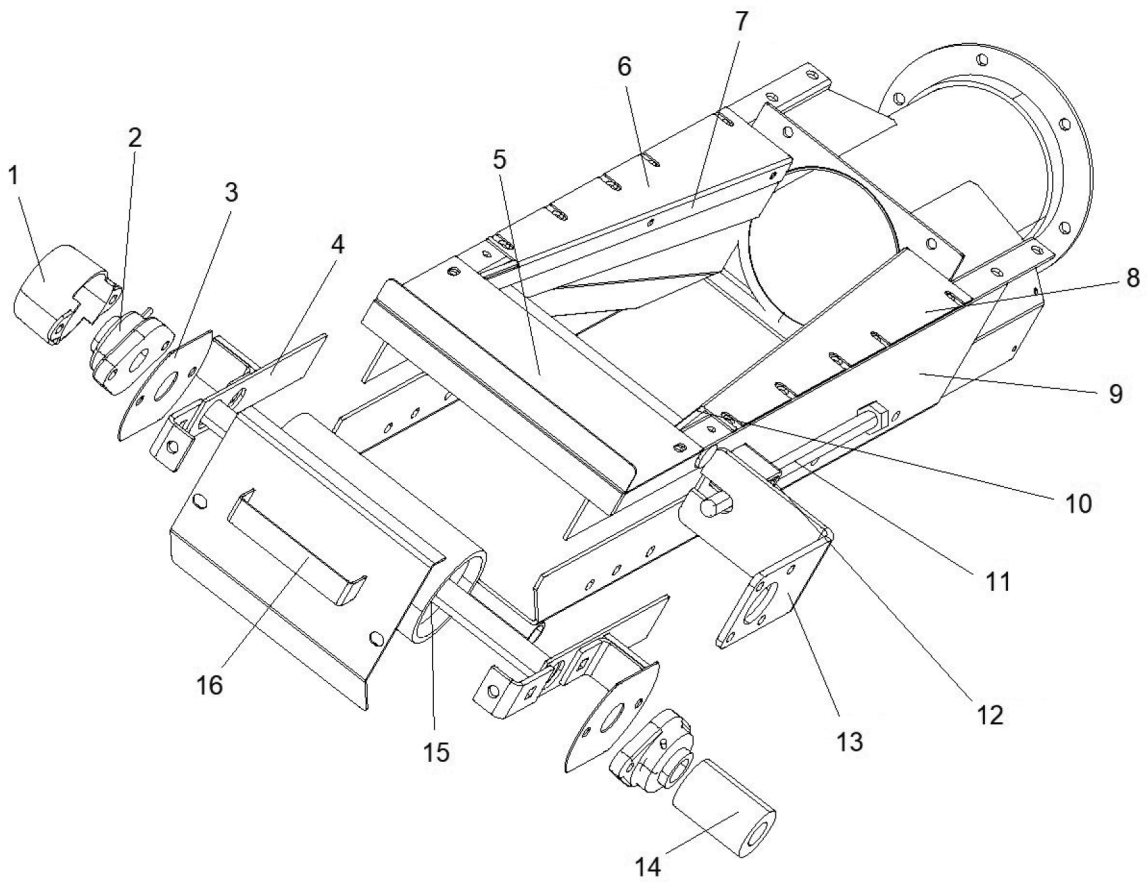
# PRODUCT CONTAINMENT

## Conveyor Assembly, Agco Model 0806, 080609-03

REF.	FN	Part Number	Series	Qty.	Description
1		65050-07-PK		1	END GROUP, Upper
2		65037-01-PB		1	TUBE, AS. 9'
3		60420-07-PB		1	SHIELD SIDE, Upper LH
4		60112-03-PB		1	HOPPER, AS. Collapsible
5		65020-13-PK		1	END GROUP, Lower
6		60433-03-PB		1	PAN, Upper
7		60420-08-PB		1	SHIELD SIDE, Upper
8		65192-01		1	SPOUT, Molded
9		65171-02		1	BELT, AS. 9', Not Shown
10		60122-01-PB		1	SIDE HOPPER, EXT LH, Not Shown
11		60122-02-PB		1	SIDE HOPPER, EXT RH, Not Shown
12		60122-03-PB		1	END HOPPER, EXT, Not Shown

# PRODUCT CONTAINMENT

## Lower End Group, Conveyor, Agco Model 0806, 65020-13-PK



WR1326



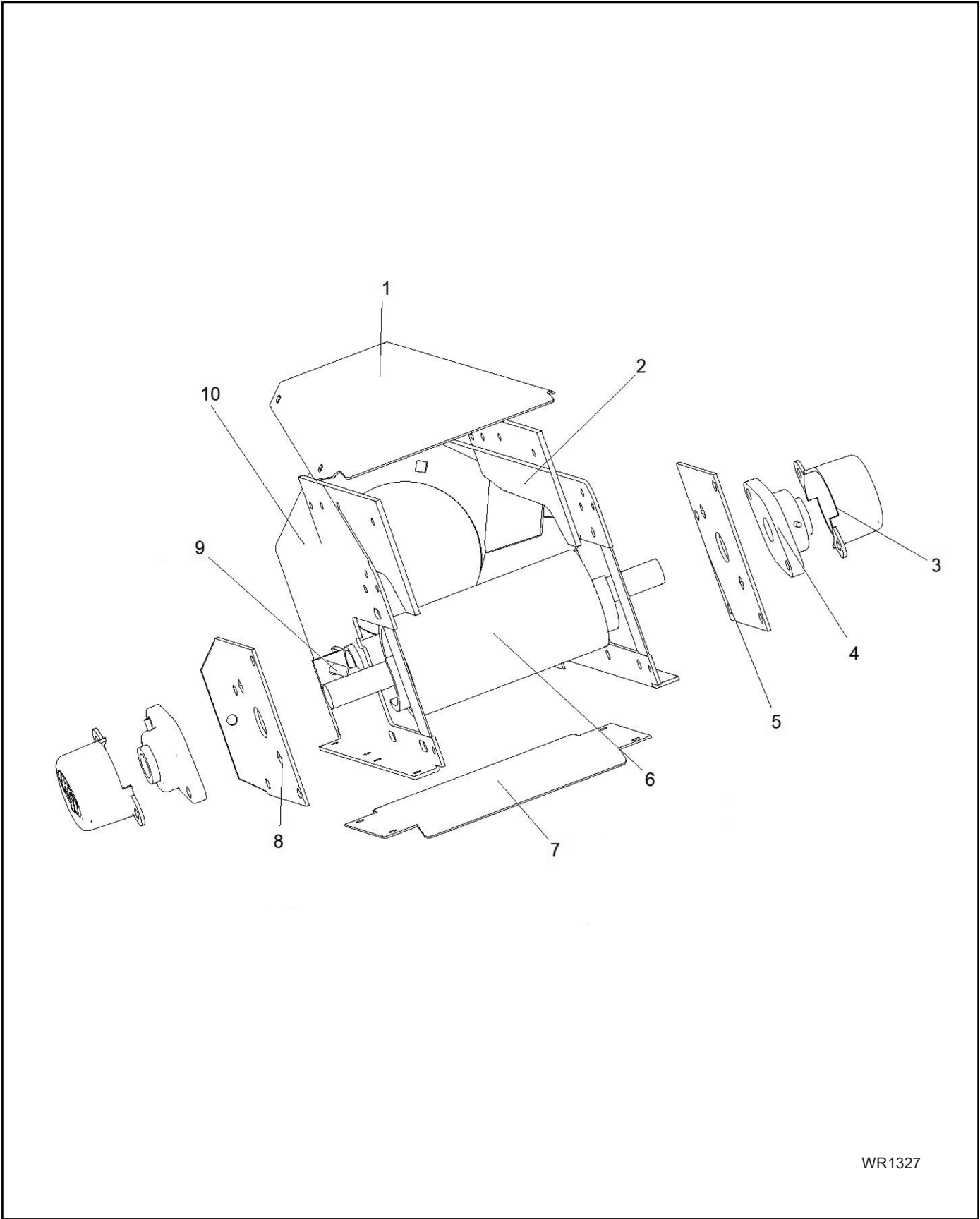
# PRODUCT CONTAINMENT

## Lower End Group, Conveyor, Agco Model 0806, 65020-13-PK

REF.	FN	Part Number	Series	Qty.	Description
1		23150-04		1	COVER, Bearing, 1"
2		24336-01		2	BEARING HOLDER
3		60480-01-PB		2	PLATE BEARING
4		65100-00-PB		2	SLIDE ASSY.
5		60370-02-PB		1	COVER, Bearing, 1"
6		60590-01-PB		1	FLAP, Bracket
7		65140-01		1	FLAP, Bottom
8		60590-02-PB		1	FLAP, Bracket
9		65010-00-PB		1	HOUSING, Lower ASSY.
10		65140-02		1	FLAP, Bottom
11		24115-01		2	SCREW TENSIONING, 5/8"
12		24114-01		2	NUT, Square, 5/8"
13		60741-01-PB		1	MOUNT, Motor (Hydraulic)
14		24473-01		1	COUPLER
15		24333-00		1	DRUM ASSY., Top
16		65090-01-PB		1	DOOR ASSY.

# PRODUCT CONTAINMENT

## Upper End Group, Conveyor, Agco Model 0806, 65050-07-PK



WR1327

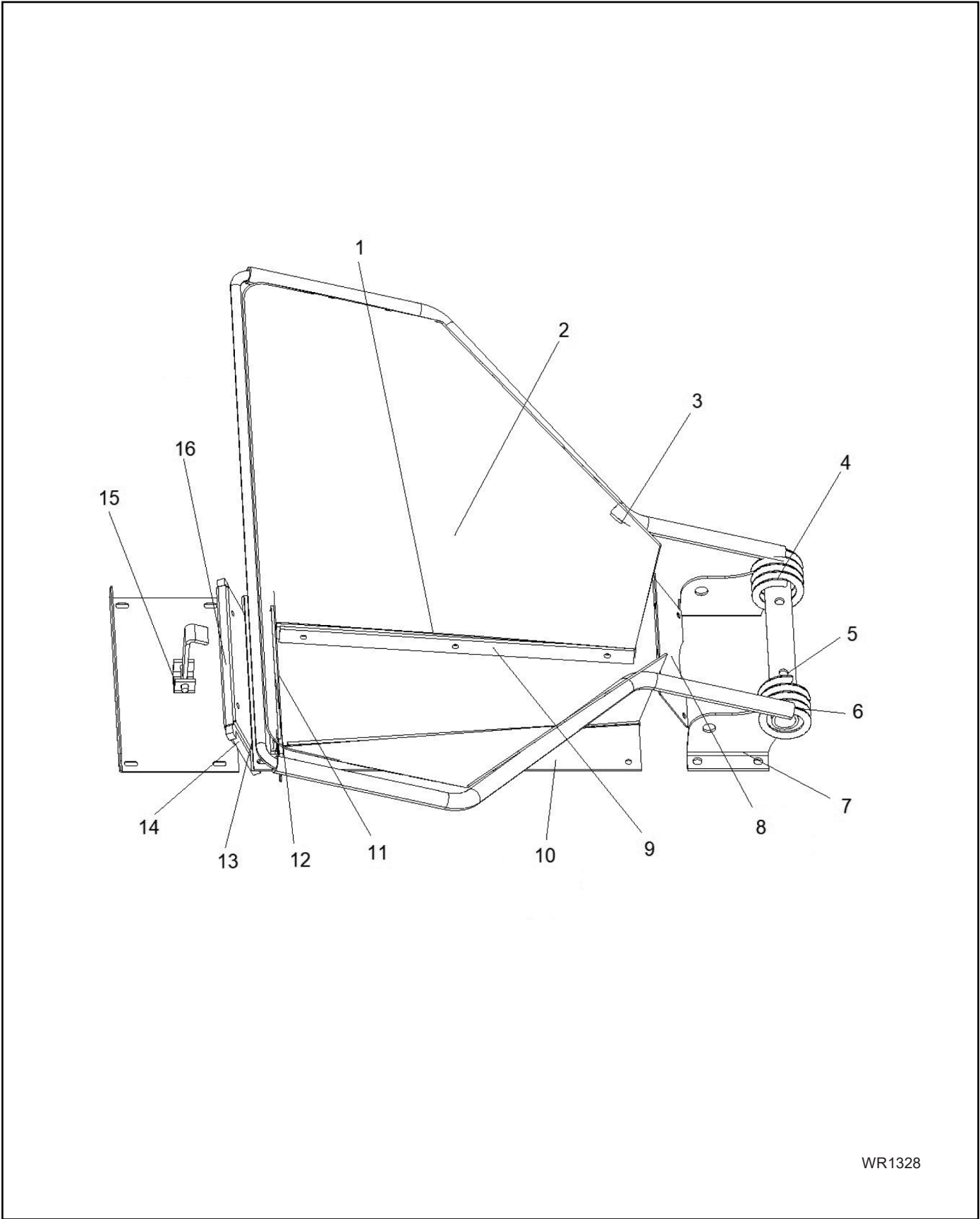
# PRODUCT CONTAINMENT

## Upper End Group, Conveyor, Agco Model 0806, 65050-07-PK

REF.	FN	Part Number	Series	Qty.	Description
1		60140-01-PB		1	COVER, Top
2		65130-01		2	FLAP, Top, 6"
3		23150-04		2	COVER, Bearing, 1"
4		24336-01		2	BEARING, 1"
5		65080-00-PB		1	BEARING HOLDER, ASSY. RH
6		24334-00		1	DRUM, ASSY.
7		60340-01-PB		1	COVER, Bottom
8		65070-00-PB		1	BEARING HOLDER, ASSY. LH
9		24208-01		1	BOLT, Tap, 3/8" x 5"
10		65040-00-PB		1	HOUSING, Upper, ASSY.

# PRODUCT CONTAINMENT

## Collapsible Hopper Group, Conveyor, Agco Model 0806, 60112-03-PB



WR1328

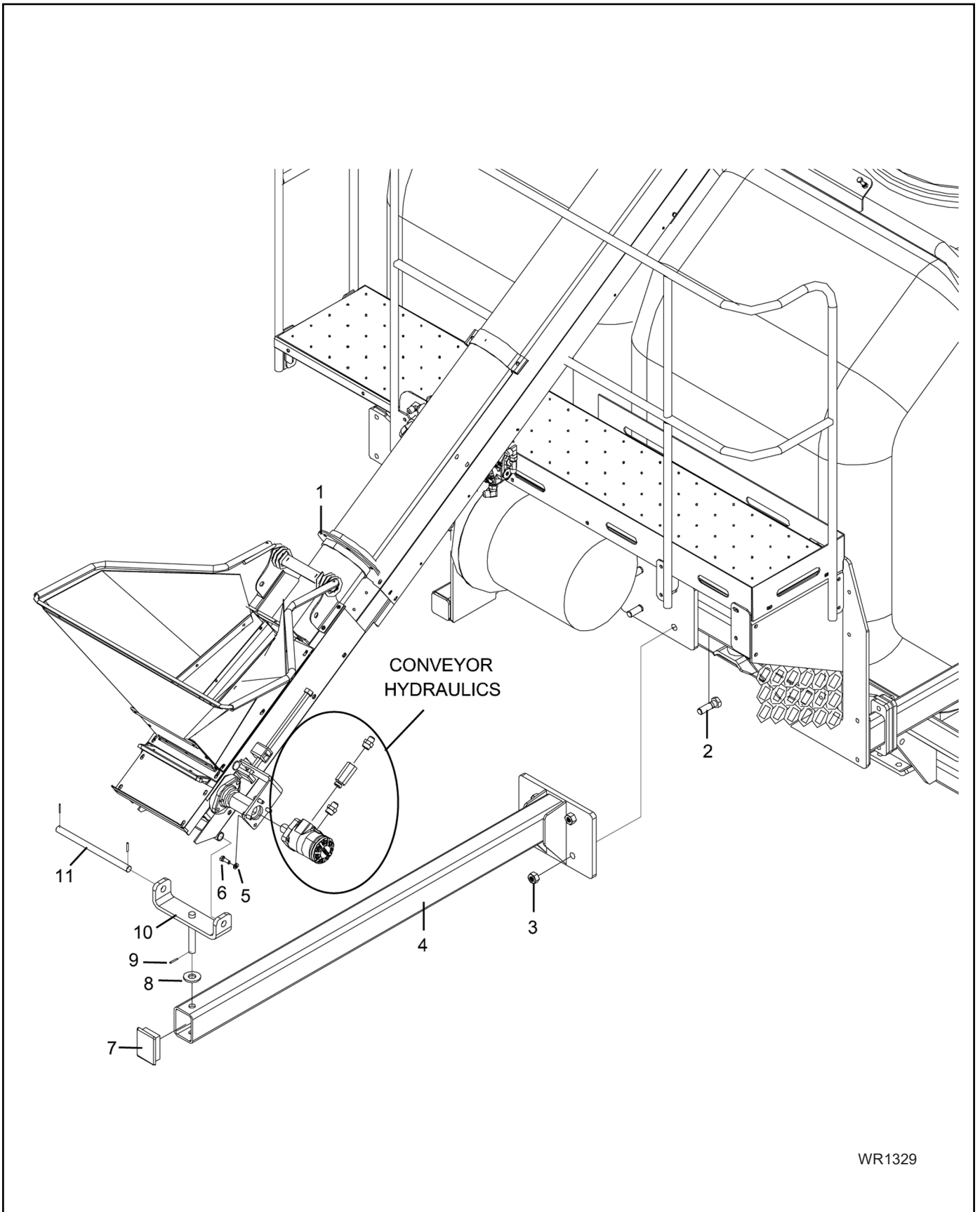
# PRODUCT CONTAINMENT

## Collapsible Hopper Group, Conveyor, Agco Model 0806, 60112-03-PB

REF.	FN	Part Number	Series	Qty.	Description
1		60115-02-PB		1	BRACKET, Canvas RH
2		60117-01		1	CANVAS, Zippered
3		60118-00-PB		1	HOOP, ASSY.
4		24160-03		1	SPRING, RH
5		60114-00-PB		1	TUBE & BRACKET, ASSY.
6		24159-03		1	SPRING, LH
7		60114-03-PB		1	BRACKET
8		60068-01-PB		1	SHIELD HOPPER
9		60121-01-PB		2	PLATE, Canvas
10		60115-01-PB		1	BRACKET, Canvas LH
11		60119-01-PB		1	PLATE, Clamping
12		23122-05		1	FLAP, Brush, 6"
13		60380-00-PB		1	BRUSH/FLOWGUARD, Support
14		24363-01		1	BRUSH, 6"
15		60370-00-PB		1	COVER, Top w/Hold Down
16		60380-03-PB		1	CLAMP, Brush

# PRODUCT CONTAINMENT

## Main Mount, Conveyor, Agco Model 0806



# PRODUCT CONTAINMENT

## Main Mount, Conveyor, Agco Model 0806

REF.	FN	Part Number	Series	Qty.	Description
1		354730		1	CONVEYOR, 9' LG w/ 8" Wide Cleated Rubber Belt
2		P88404		4	BOLT, Hex, 3/4"-10NC x 2-1/2" 5ZP
3		P88356		4	NUT, Lock, 2 POS 3/4"-10NC 5YZP
4		30001645		1	WELD, Tube, Conveyor Mount
5		P88362		4	WASHER, Helical, 3/8" ID ZP
6		P89034		4	BOLT, Hex, 3/8"-16NC x 1" 5ZP
7		P353700		1	END CAP, Plastic INSE, 3" x 4" x 1/4"
8		P88131		1	WASHER, Flat, 3/4" (13/16" x 2" ACT) 2ZP
9		P88856		3	PIN, Roll, 3/16"DIA x 1-1/8" Z
10		30001648		1	WELD, Bottom Pivot, Conveyor
11		P355411		1	PIN, Horizontal Conveyor Mount



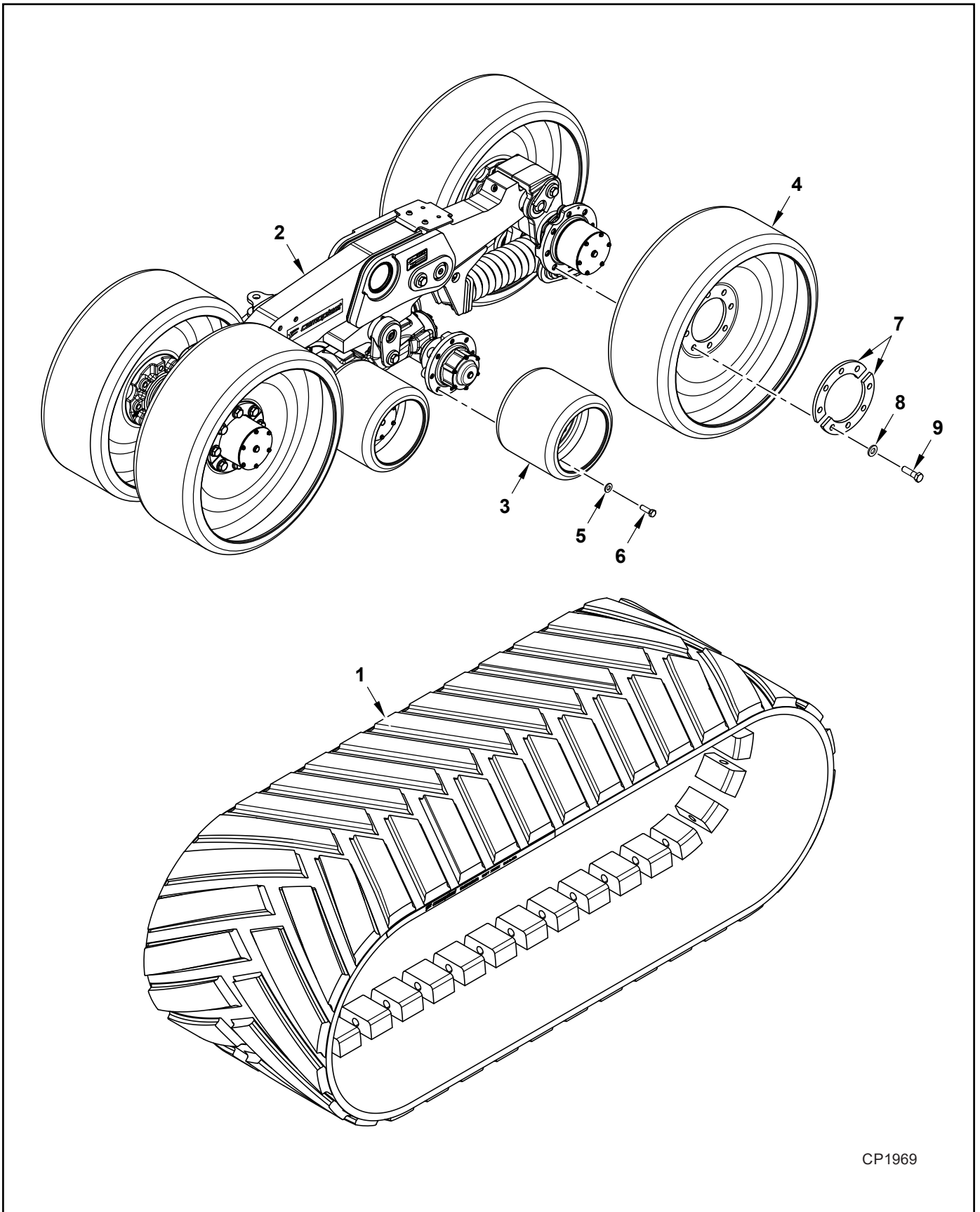


**PRODUCT CONTAINMENT**  
**Top Slide, Conveyor, Agco Model 0806**

REF.	FN	Part Number	Series	Qty.	Description
1		P88103		4	NUT, Hex, 3/8"-16 5ZP
2		P89011		2	BOLT, Hex, 3/8"-16NC x 2" 5ZP
3		P88203		2	BOLT, Hex, 1/4"-20 x 1" 5ZP
4		P354792		1	UHMW BAR, Conveyor Slide
5		P88507		2	BOLT, Hex, 1/2"-13NC x 3-1/2" 5ZP
6		30001650		1	FORMED ANGLE, Top Conveyor Slide

# DRIVE SYSTEM

## Track & Undercarriage



CP1969

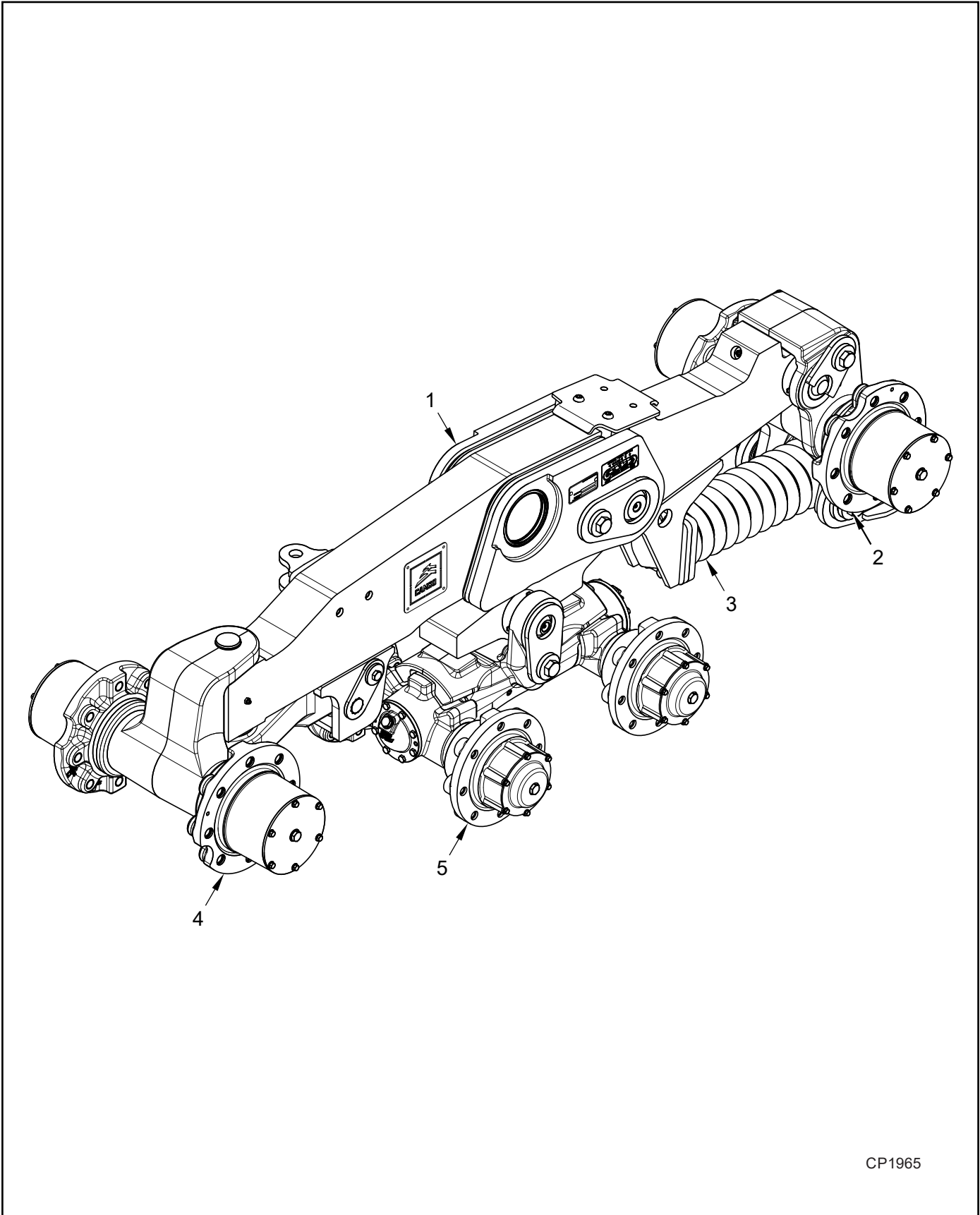
# DRIVE SYSTEM

## Track & Undercarriage

REF.	FN	Part Number	Series	Qty.	Description
1		P354437	70-2516	1	TRACK, Rubber, 236" x 25" G25BN03028
		P354438	70-3011	1	TRACK, Rubber, 236" x 30" G30BN03029
2		REF		1	UNDERCARRIAGE ASSY., See Undercarriage Assembly
3		P354439	70-2516	4	WHEEL, Mid-roller, Gray, 25" Track 4
		P354440	70-3011	4	WHEEL, Mid-roller, Gray, 30" Track 4
4		P354441	70-2516	4	WHEEL, Idler, Gray, 25" & 30" Track
		P354441	70-3011	4	WHEEL, Idler, Gray, 25" & 30" Track
5		P354443		32	WASHER, Flat, M16 2F-0065
6		P354444		32	BOLT, Hex, M16 x 50 Gr 10.9 2F-0087
7		P354445		8	RING, Back-up 2C-2030
8		P354446		32	WASHER, Flat, 21.4 x 42 x 5 mm 224091
9		P354447		32	BOLT, Hex, M20 x 70 Gr 10.9 2F-0158

# DRIVE SYSTEM

## Undercarriage Assembly



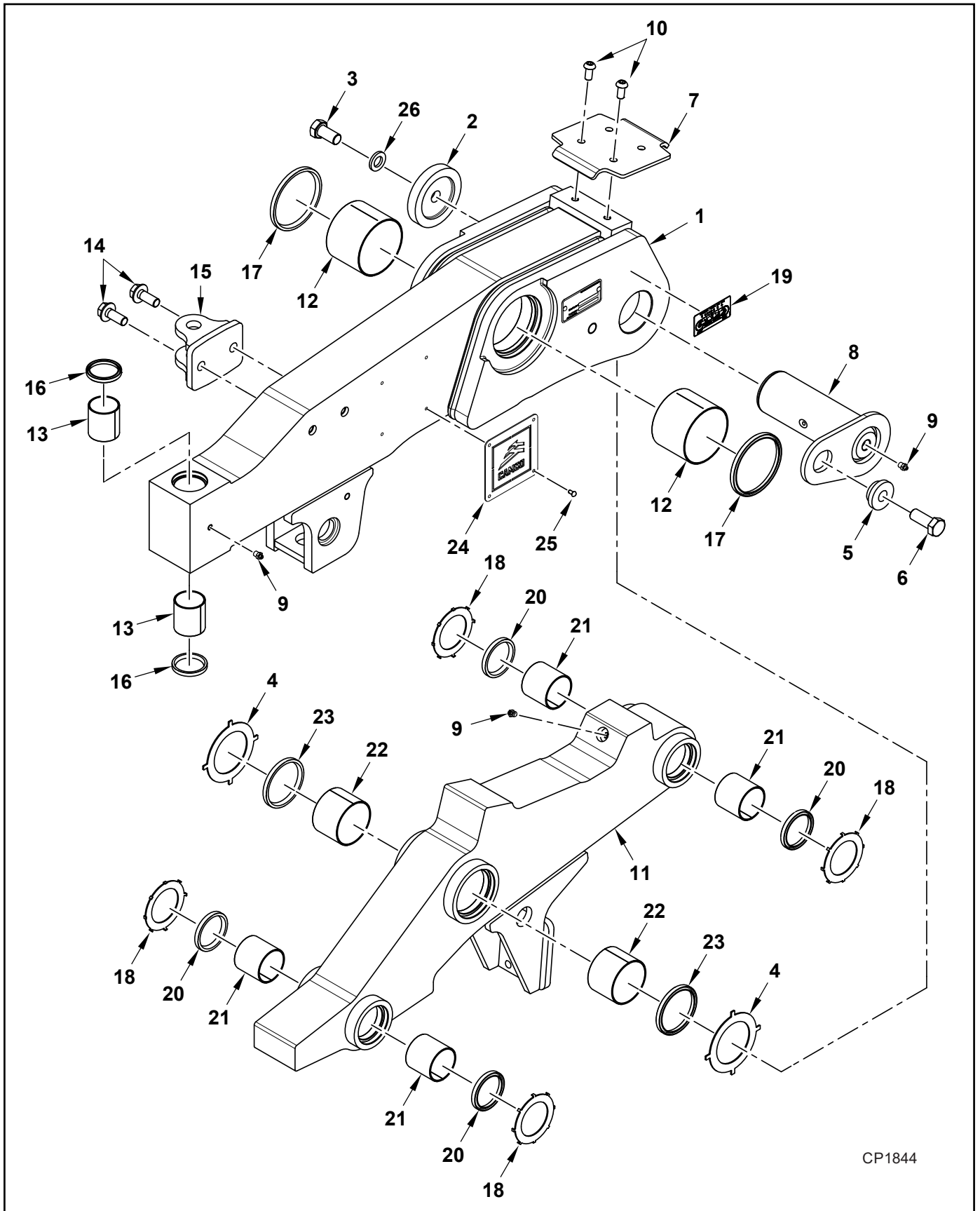
CP1965

**DRIVE SYSTEM**  
**Undercarriage Assembly**

<b>REF.</b>	<b>FN</b>	<b>Part Number</b>	<b>Series</b>	<b>Qty.</b>	<b>Description</b>
1		REF		1	FRAME ASSY., See Frame Assembly
2		REF		1	TENSION LINK ASSY., See Tension Link Assembly
3		REF		1	TENSIONER ASSY., See Tensioner Assembly
4		REF		1	ALIGNMENT ASSY., See Alignment Assembly
5		REF		1	BOGIE ASSY., Mid-roller, See Bogie Assembly Mid-Roller

# DRIVE SYSTEM

## Frame Assembly



CP1844

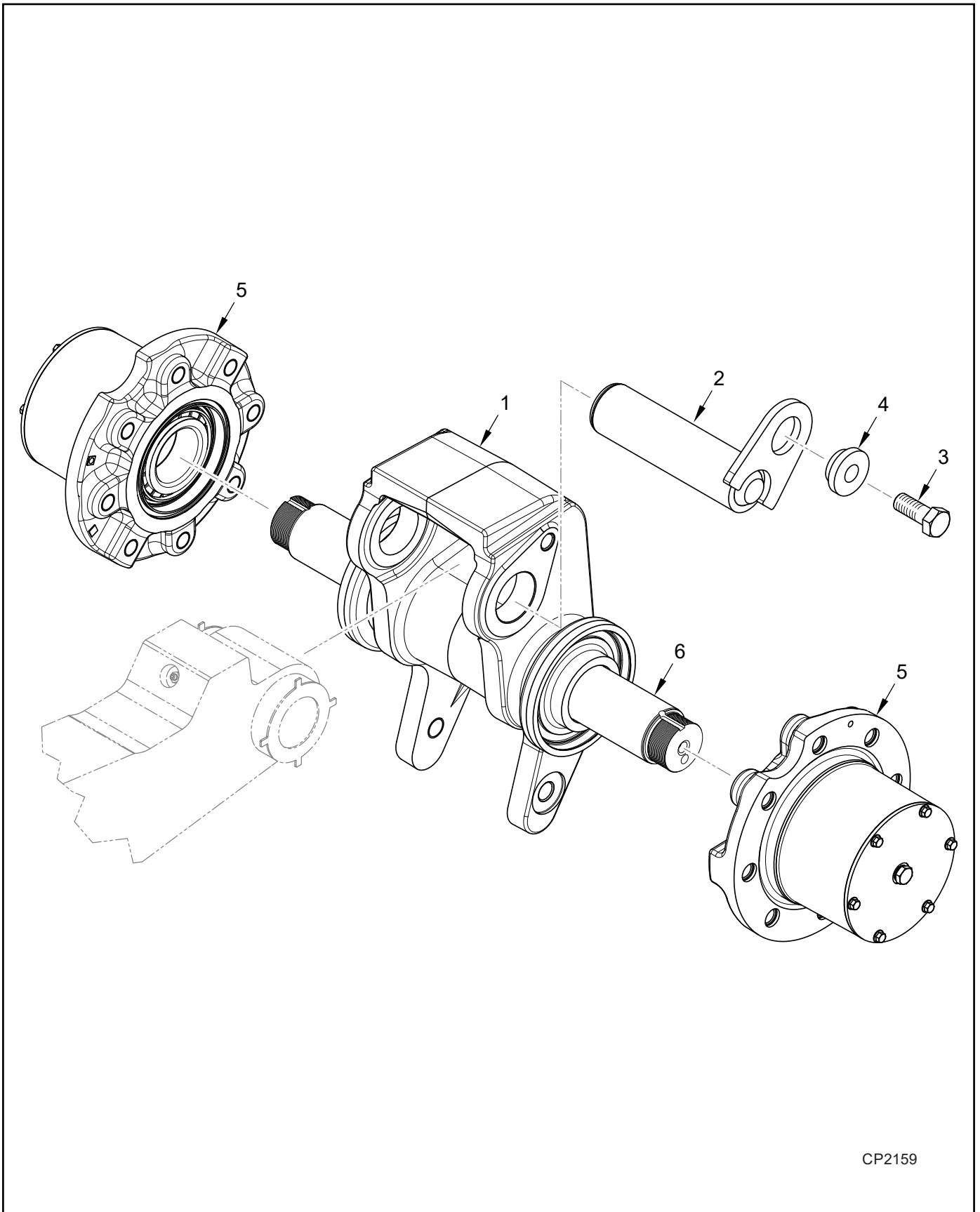
# DRIVE SYSTEM

## Frame Assembly

REF.	FN	Part Number	Series	Qty.	Description
1		P354448		1	FRAME, Main, 2A-0964
2		P354449		1	CAP, End, 80 mm 2C-2025
3		P354450		1	BOLT, Hex, M20 x 40 Gr 10.9 2F-0143
4		P354451		2	WASHER, Thrust, 60 mm 2C-2033
5		P354452		1	SPACER, Flg., M20 2C-2024
6		P354453		1	BOLT, Hex, M20 x 50 Gr 10.9 2F-0323
7		P354454		1	DEFLECTOR, Black 2C-2157-101
8		P354455		1	PIN, 2S-0350
9		P354456		3	FITTING, Grease, 1-8"-27 PTF 2H-0060
10		P354457		2	BOLT, Flg., K-socket, M12 x 25 Cl 10.9
11		P354458		1	ARM, Tandem, 2A-0952
12		P354459		2	BUSHING, 2B-0130
13		P354460		2	BUSHING, 2B-0118
14		P354461		2	BOLT, Hex Flg., M16 x 40 Cl 10.9 7618
15		P354462		1	BRACKET, Slide, 2S-0416-101
16		P354463		2	SEAL, Scraper, 50 x 62 x 7 mm thk 2J-
17		P354464		2	SEAL, Scraper, 105 x 120 x 8 mm thk 2
18		P354465		4	WASHER, Thrust, 60 mm 2C-2032
19		P354466		1	DECAL, Greasing, 2M-0160
20		P354467		4	SEAL, Scraper, 60 x 74 x 8 mm thk 2J-
21		P354468		4	BUSHING, 60 x 65 x 60 mm thk 2B-0117
22		P354469		2	BUSHING, 80 x 85 x 60 mm thk 2B-0116
23		P354470		2	SEAL, 80 x 94 x 8 mm thk 2J-0118
24		NSS		1	PLATE, Branding, Camso
25		NSS		4	SCREW
26		NSS		1	WASHER

# DRIVE SYSTEM

## Tension Link Assembly



CP2159

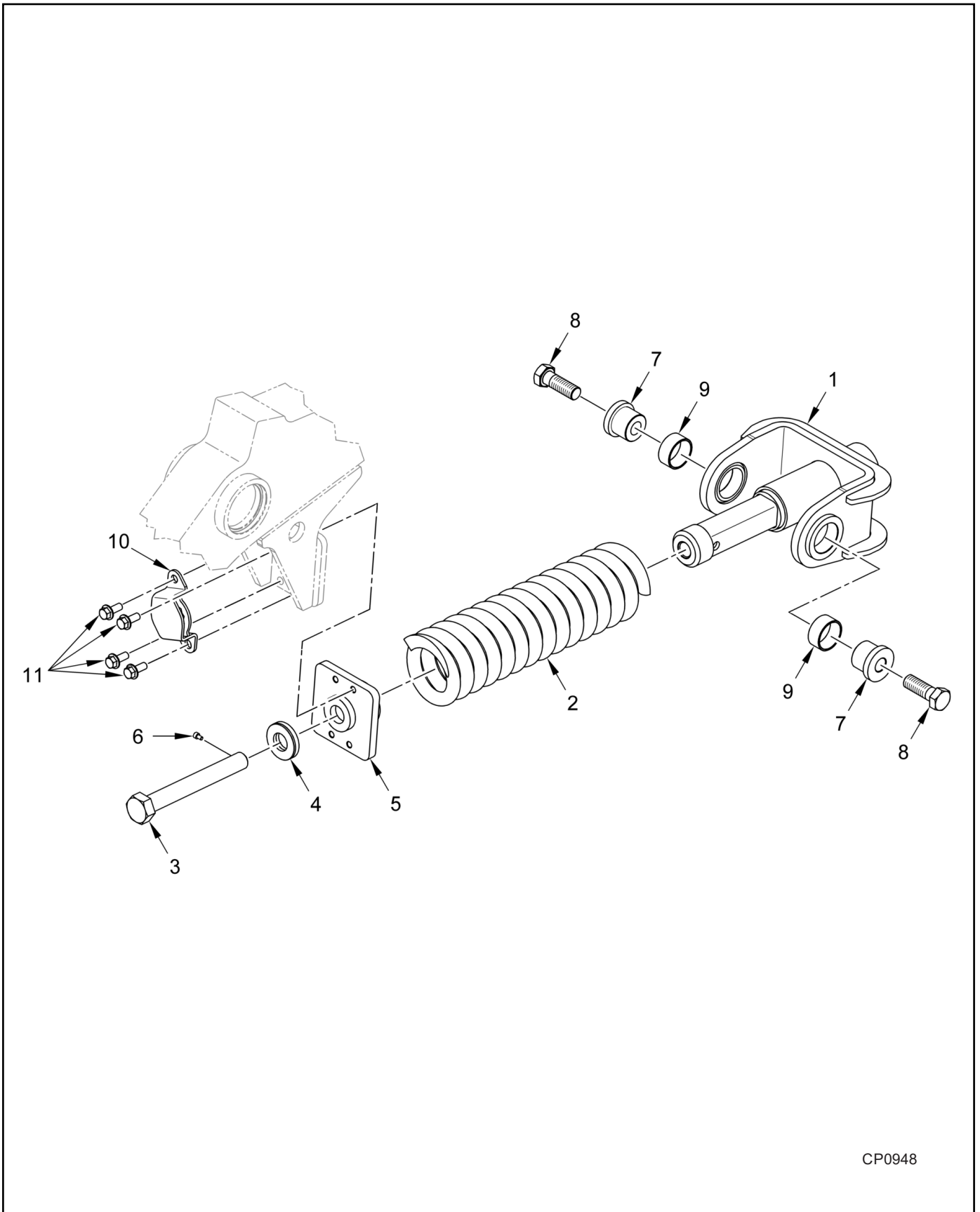


DRIVE SYSTEM  
Tension Link Assembly

REF.	FN	Part Number	Series	Qty.	Description
1		P354471		1	LINK, Tension, 2A-0925-101
2		P354472		1	PIN, Tensioner, 2S-0424
3		P354453		1	BOLT, Hex, M20 x 50 CI 10.9 2F-0323
4		P354454		1	SPACER, Flg., M20 2C-2024-100
5		NSS		1	HUB, Idler
6		NSS		1	AXLE, Idler

# DRIVE SYSTEM

## Tensioner Assembly



CP0948

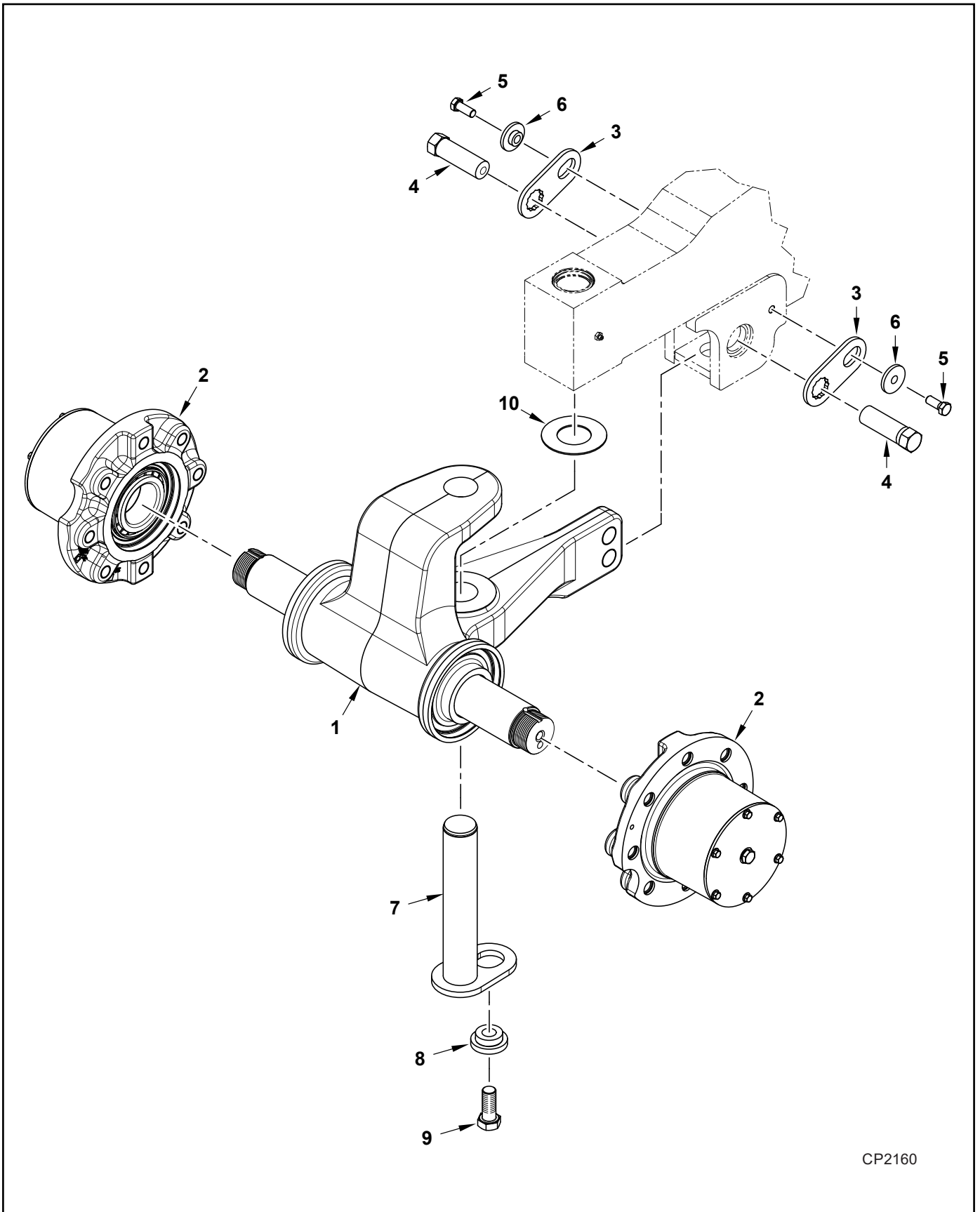
# DRIVE SYSTEM

## Tensioner Assembly

REF.	FN	Part Number	Series	Qty.	Description
1		P354474		1	SEAT, Spring, 2A-0994
2		P354475		1	SPRING, 2M-0145-001
3		P354476		1	SCREW, Compression, M24 x 3 x 240 2C
4		P354477		1	WASHER, Flat, 1.25" 2F-0322
5		P354478		1	SUPPORT, Head, 2S-0429
6		P354479		1	SCREW, Set, Hex Socket, M6 x 10 CI 12
7		P354480		2	SPACER, 2C-2262
8		P354481		2	BOLT, Hex, M24 x 70 CI 10.9 2F-0181
9		P354482		2	R/B P354703, BUSHING, Oiltite, 2B-0133
10		P354483		1	CAP, Locking, 2S-0432-001
11		P354484		4	BOLT, Hex Flg., M12 x 30 CI 10.9 2F-0

# DRIVE SYSTEM

## Alignment Assembly



CP2160

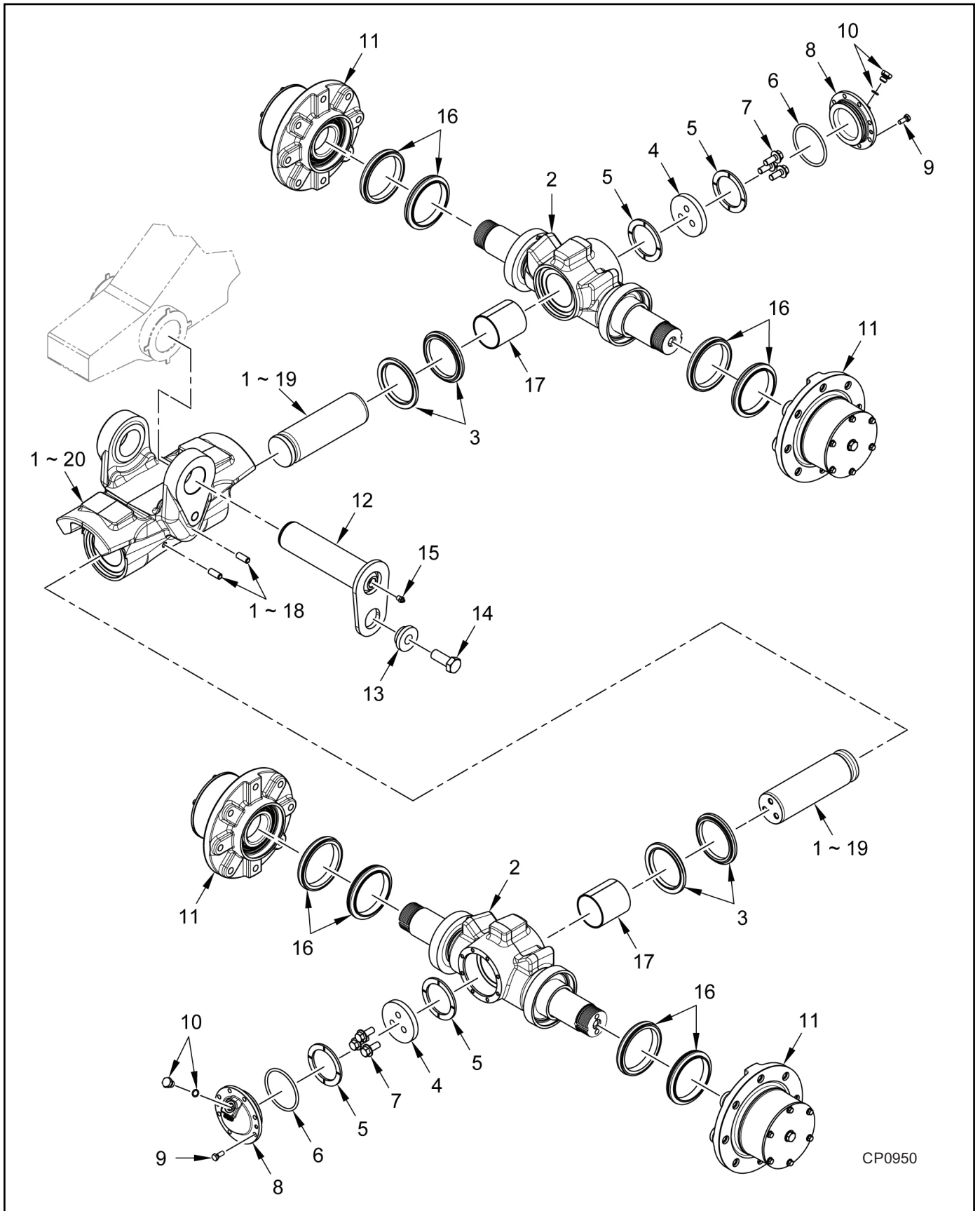
# DRIVE SYSTEM

## Alignment Assembly

REF.	FN	Part Number	Series	Qty.	Description
1		P354485		1	LEVER, Alignment, 2A-0923-001
2		NSS		2	HUB
3		P354486		2	PLATE, Lock, 2C-0387
4		P354487		2	SCREW, Set, Special, 1-1/8" x 85 mm 2F-0531
5		P354488		2	BOLT, Hex, M12 x 30 CI 10.9 2F-0005
6		P354489		2	SPACER, Flanged, 2C-0008
7		P354490		1	PIN, Mounting, 2S-0352
8		P354452		1	SPACER, Flg., M20 2C-2024
9		P354453		1	BOLT, Hex, M20 x 50 CI 10.9 2F-0323
10		P354491		1	WASHER, Thrust, 50 mm 2C-2023

# DRIVE SYSTEM

## Bogie Assembly - Mid-Roller



# DRIVE SYSTEM

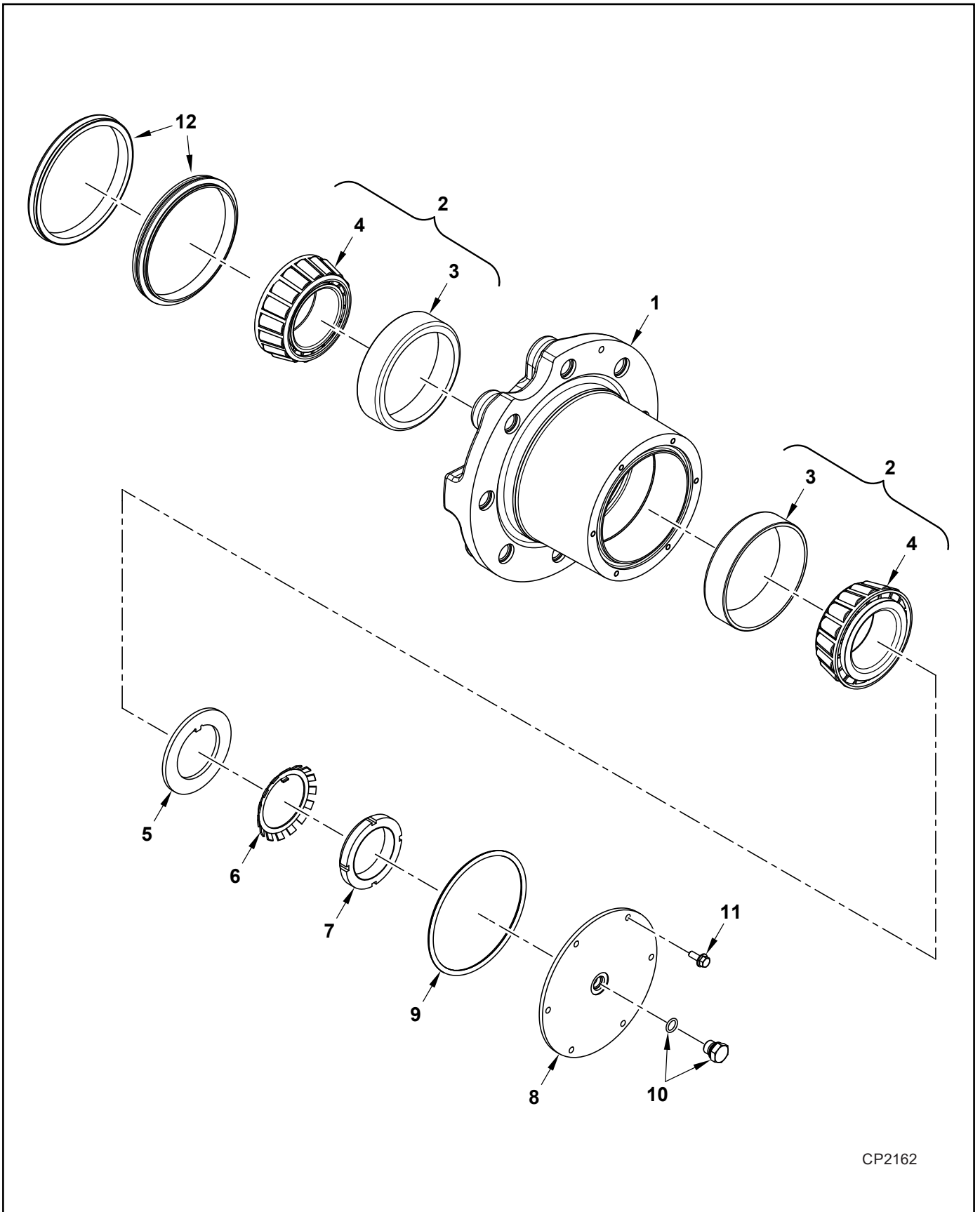
## Bogie Assembly - Mid-Roller

REF.	FN	Part Number	Series	Qty.	Description
1		P354492		1	DOGHOUSE ASSY., Mid-roller, Includes items 18 - 20 2A-09
2		P354493		2	AXLE, Mid-roller, 2A-0921-101
3		P354494		2	SEAL, Mechanical Face, 88 mm Sq., 2J-0090
4		P354495		2	PLATE, End, 2C-1335
5		P354496		4	RING, Thrust, 70.3 mm ID, 2C-1334
6		P354497		2	O-RING, 2J-0141
7		P354484		6	BOLT, Hex Flg., M12 x 30 CI 10.9, 2F-0001
8		P354498		2	COVER, End, 2C-1327
9		P354499		16	BOLT, Hex, M8 x 20 CI 10.9, 2F-0242
10		P354700		2	PLUG, End Cover, 2H-0159
11		NSS		4	HUB
12		P354701		1	PIN, Mounting, 2S-0351
13		P354452		1	SPACER, Flg., M20, 2C-2024
14		P354453		1	BOLT, Hex, M20 x 50 CI 10.9, 2F-0323
15		P354456		1	FITTING, Grease, 1/8"-27 PTF Short, 2H-0060
16	1	P354702		4	SEAL, Mechanical Face, 2J-0017
17		P354703		2	BUSHING, PT, 70 x 75 x 80 mm Long, 2B-0119
18		NSS		2	SCREW, Hex Socket, M12 x 30
19		NSS		2	PIN, Connection
20		NSS		1	DOGHOUSE, Mid-roller

1 - For Special Tooling use p/n 2P-0020-100 Seal Installation Tool available from Camso

# DRIVE SYSTEM

## Hub - Idler



CP2162



REF.	FN	Part Number	Series	Qty.	Description
1		P354704		1	HUB, Idler, 2C-2013-101
2		P354705		2	BEARING SERVICE SET, Idler, Includes items 3 & 4
3		NSS		1	BEARING, Roller, Cup, 2B-0032
4		NSS		1	BEARING, Roller Cone, 2B-0120
5		P354706		1	WASHER, Tongue, 674012700
6	2	P354707		1	WASHER, Lock, 105023916
7	1	P354708		1	NUT, Lock, 105023915
8		P354709		1	COVER, Idler Hub, 2C-0196-101
9		P354710		1	O-RING, 2J-0023
10		P354711		1	PLUG, 2H-0159
11		P354712		1	BOLT, Hex Flg., M6 x 16 CI 10.9 761301665
12	3	P354473		2	SEAL, Mechanical Face, 127 mm ID, 2J-0026

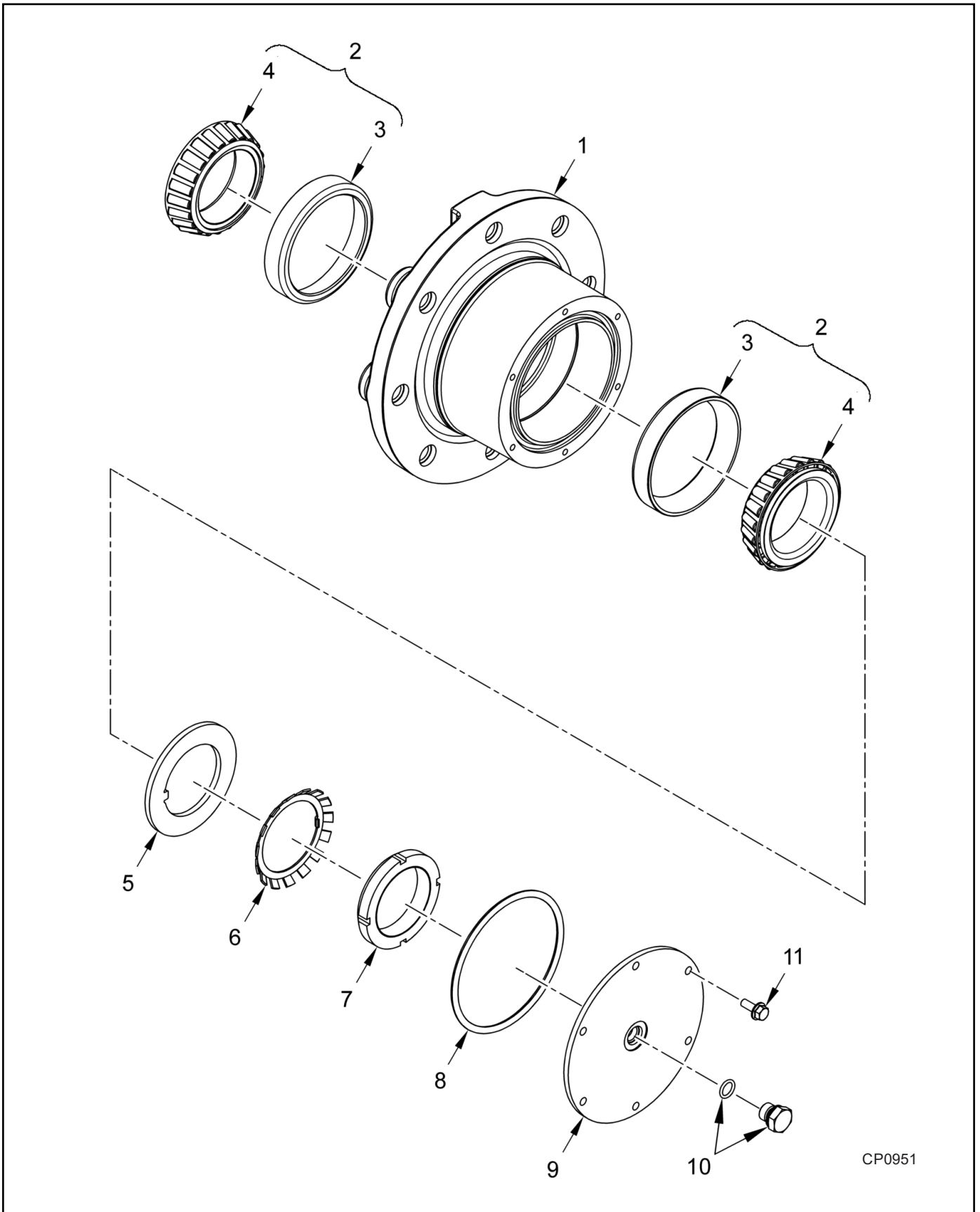
1 - For Special Tooling use p/n 2P-0021-100 Bearing Locknut Socket available from Camso

2 - For Special Tooling use p/n 2P-0180-100 Lock Washer Tab Bender available from Camso

3 - For Special Tooling use p/n 2P-0019-100 Seal Installation Tool available from Camso

# DRIVE SYSTEM

## Hub - Mid-Roller



CP0951

# DRIVE SYSTEM

## Hub - Mid-Roller

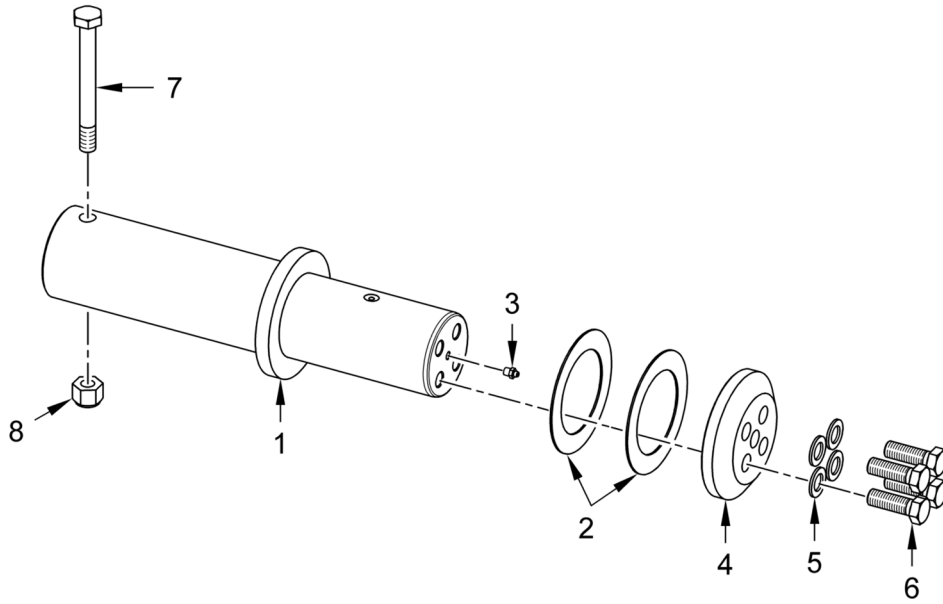
REF.	FN	Part Number	Series	Qty.	Description
1		NSS		1	HUB
2		P354713		1	BEARING SERVICE SET, Mid-roller, Incl. 3 & 4
3		NSS		1	BEARING, Roller, Cup, 2B-0032
4		NSS		1	BEARING, Cone, 2B-0120
5		P354706		1	WASHER, Tongue, 674012700
6	2	P354707		1	WASHER, Lock, 105023916
7	1	P354708		1	NUT, Lock, 105023915
8		P354710		1	O-RING, 2J-0023
9		P354709		1	COVER, Idler Hub, 2C-0196-101
10		P354711		1	PLUG, 2H-0159
11		P354712		1	BOLT, Hex Flg., M6 x 16, CI 10.9 761301665

1 - For Special Tooling use p/n 2P-0021-100 Bearing Locknut Socket available from Camso

2 - For Special Tooling use p/n 2P-0180-100 Lock Washer Tab Bender available from Camso

# DRIVE SYSTEM

## 4.5" Pin



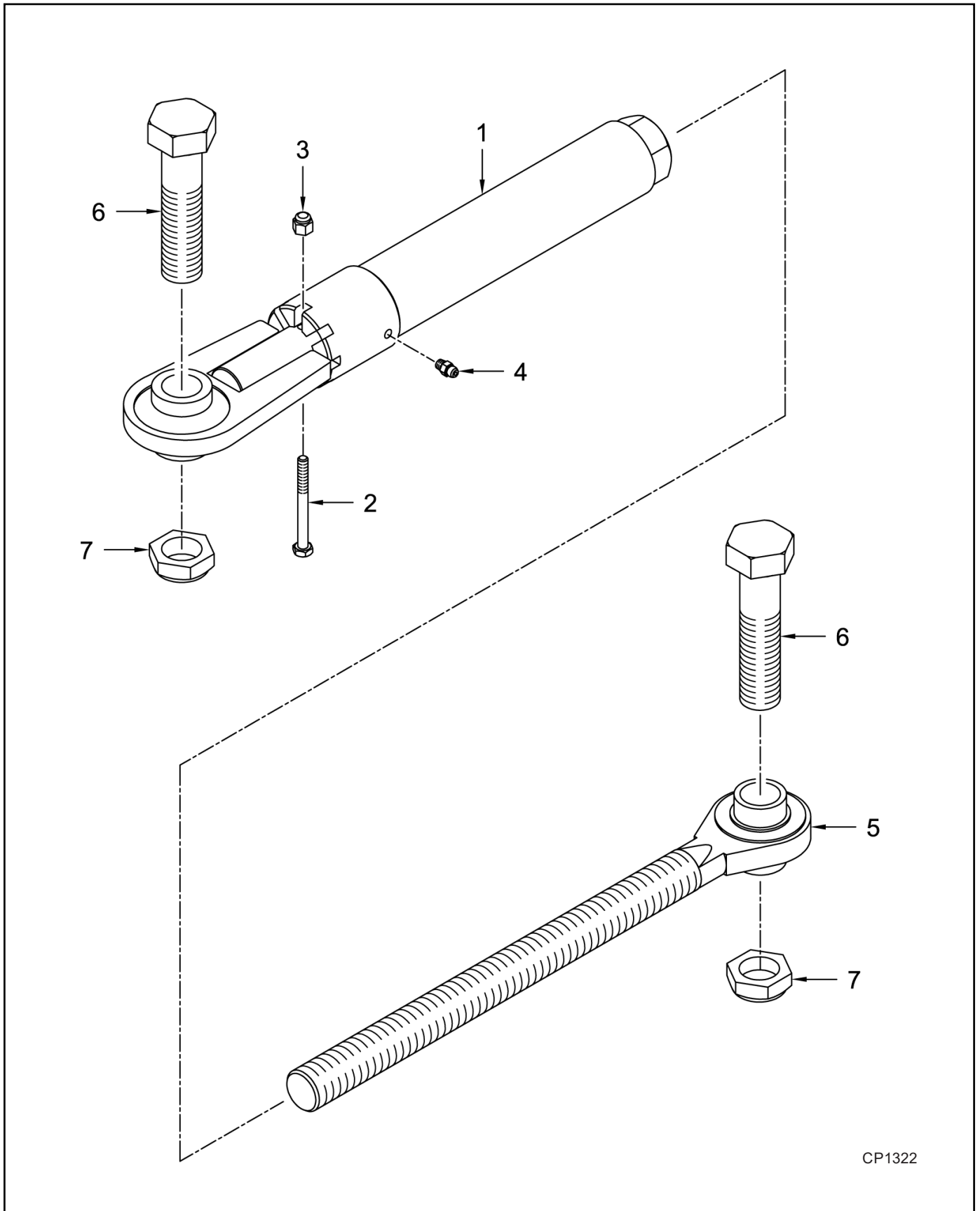
WR1331

REF.	FN	Part Number	Series	Qty.	Description
1	1	354714		1	PIN, Main, Black, 2A-0963-101
2	1	354715		2	WASHER, Thrust, 105 mm, 2C-2168
3	1	354456		1	FITTING, Grease, 1/8"-27 PTF, 2H-0060
4	1	354716		1	CAP, End, 2C-2169
5	1	354717		4	WASHER, Flat, M20, 224090131
6	1	354718		4	BOLT, Hex, M20 x 60 CI 10.9, 2F-0107

1 - 4.5" Pin (4.5" on Axle Side and 104mm on Undercarriage Side)

# DRIVE SYSTEM

## 6" & 9" Stabilizer Assemblies



CP1322

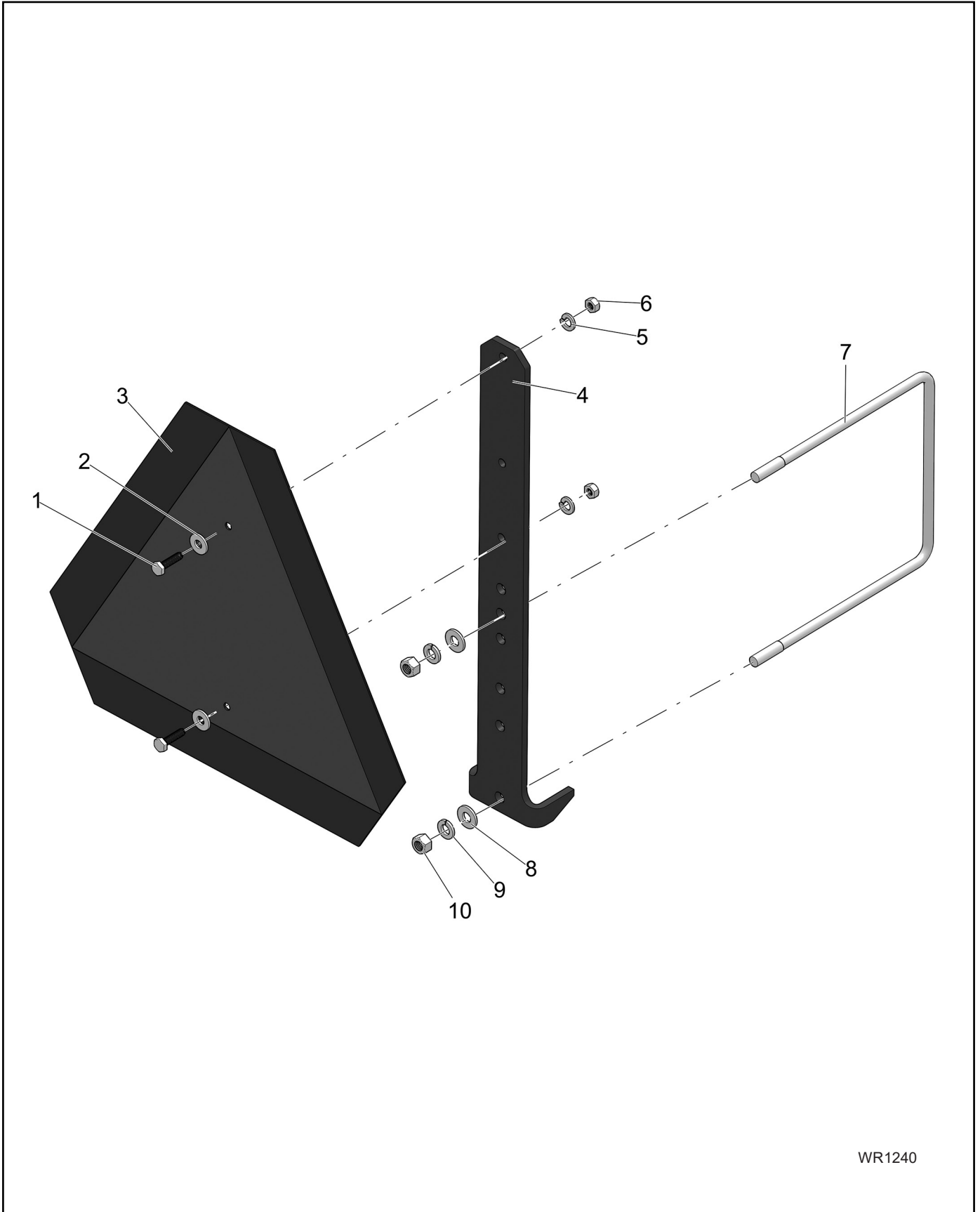
**6" & 9" Stabilizer Assemblies**

REF.	FN	Part Number	Series	Qty.	Description
1		54160		1	TURNBUCKLE, 6" (Dimension A = 6"), 16" to 18.50"
2		NSS		1	BOLT, Hex, 2-3/4" x 1/4" - 20 UNC Gr 8
3		NSS		1	NUT, Hex, Nylon, 1-1/4" - 20 UNC Gr 8
4		NSS		1	FITTING, Grease, 1/4" - 20 BSPT
5		54150		1	LINK, Threaded, 2M-0027
6		NSS		2	BOLT, Hex, 4" x 1" - 4 UNC Gr 8
7		NSS		2	NUT, Jam, 1" - 14 UNC Gr 8

NOTE: A TTS undercarriage system uses multiple stabilizer assemblies to limit undercarriage rotation and to help spread the twisting loads around the pin and back into the center axle. Correct adjustments are critical to proper operation and to maintain track alignment. Make sure to reference your Owner's Manual for proper adjust procedures.

# SAFETY SIGNS & DECALS

## SMV Emblem



WR1240



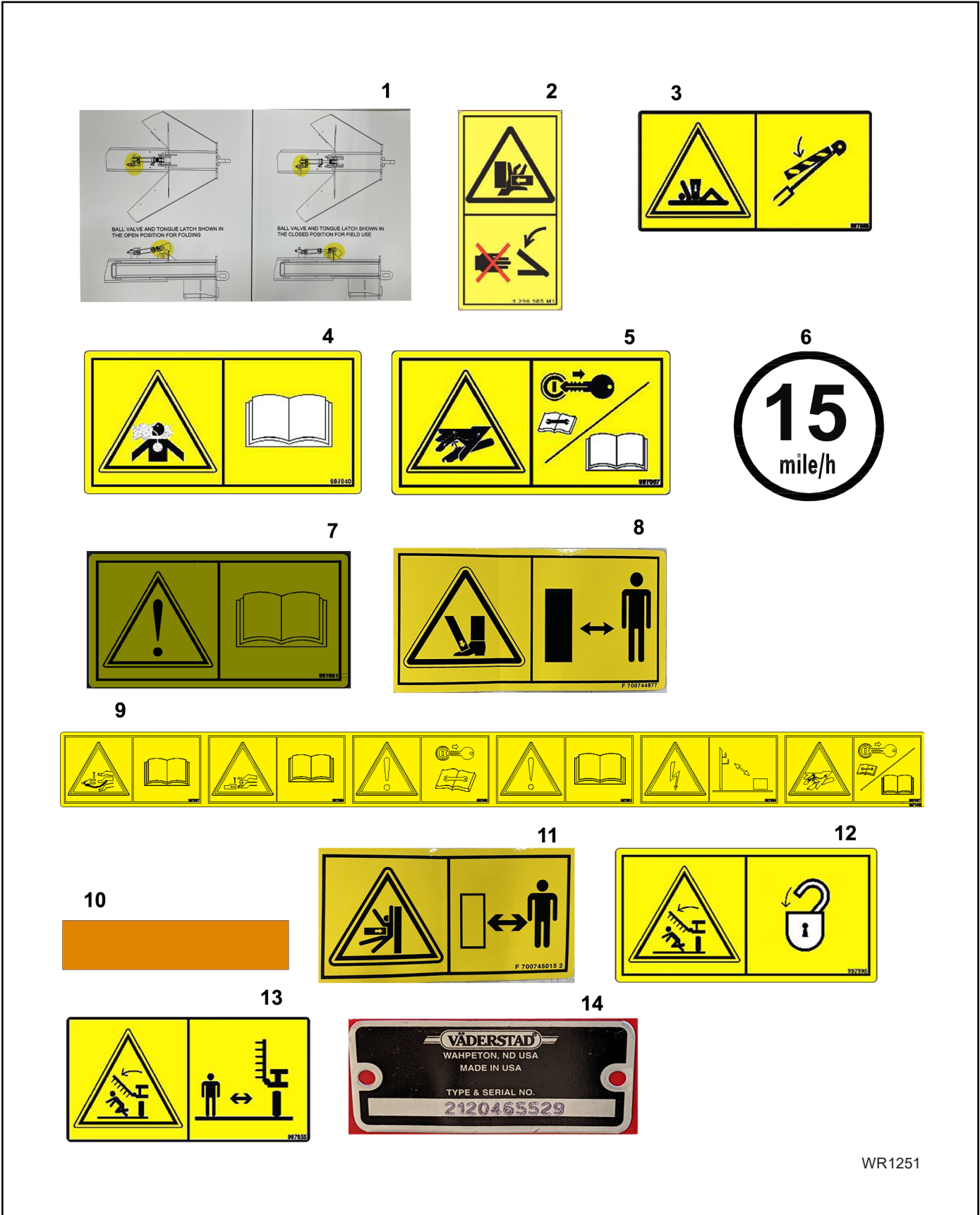
# SAFETY SIGNS & DECALS

## SMV Emblem

REF.	FN	Part Number	Series	Qty.	Description
1		P88203		2	BOLT, Hex, 1/4"-20 x 1" 5ZP
2		P88261		2	WASHER, Flat, 1/4" (5/16" x 3/4" ACT) 2ZP
3		P30651		1	SMV EMBLEM, S276.6
4		4000360734		1	BRACKET, SMV (Slow Moving Vehicle)
5		P88262		2	WASHER, Lock, 1/4" ID (5/16" ACT) ZP
6		P88172		2	NUT, Hex, 1/4"-20 5ZP
7		P89277		1	BOLT, U-Type, 3/8"-16NC x 7" x 8-1/4" ZP
8		P88739		2	WASHER, Flat, 3/8" SAE (12/32" x 13/16") 2ZP
9		P88362		2	WASHER, Helical, 3/8" ID ZP
10		P88103		2	NUT, Hex, 3/8"-16 5ZP

# SAFETY SIGNS & DECALS

## Decals, Safety



WR1251

# SAFETY SIGNS & DECALS

## Decals, Safety

REF.	FN	Part Number	Series	Qty.	Description
1		P359998		1	DECAL, Tongue Latch Lock Valve
2		4296985M1		2	DECAL, Warning Pinch No Text
3		P997865		4	DECAL, Lockout
4		997840		2	DECAL, Chemical Hazard
5		997867		1	DECAL, Fluid Under Pressure
6		700731295		2	DECAL, 15 mph
7		997861		1	DECAL, Read Manual
8		700744877		2	DECAL, Safety Sign, Warning Stay Clear Foot No Text
9		P9971442		2	DECAL, Safety Set No Text
10		P22372		4	REFLECTOR, Amber
11		700745015		6	DECAL, Crushing Hazard
12		997995		2	DECAL, Install Lock Pins
13		997855		4	DECAL, Folding Wings
14		338957		1	SERIAL NUMBER

# SAFETY SIGNS & DECALS

## Decals, Safety, Conveyor



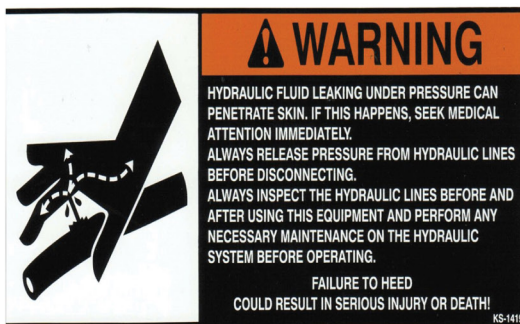
1



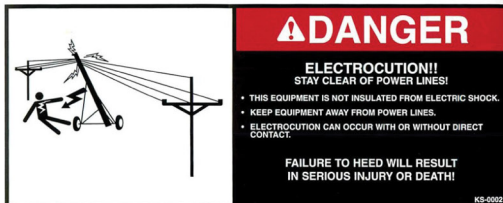
2



3



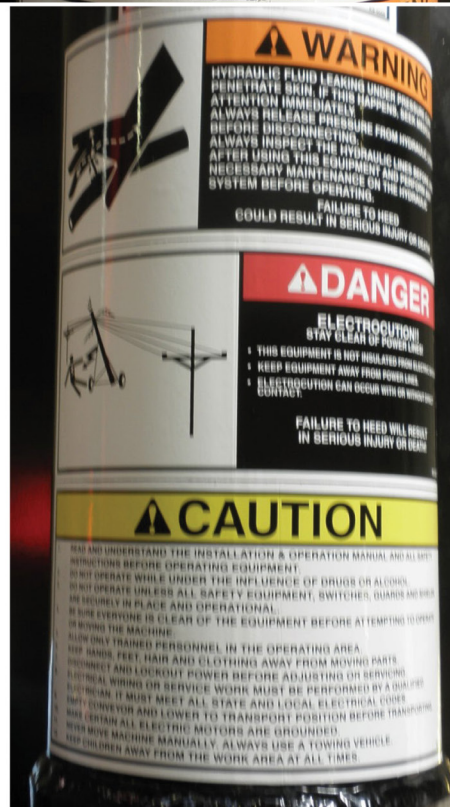
4



5



6



WR1249

# SAFETY SIGNS & DECALS

## Decals, Safety, Conveyor

REF.	FN	Part Number	Series	Qty.	Description
1		KS-0030		1	DECAL, Warning
2		KS-0007		1	DECAL, Danger, Never Disassemble Without Supports
3		KS-0008		1	DECAL, Danger, Safety First
4		KS-1419		1	DECAL, Warning, Hydraulic Fluid Leaking
5		KS-0002		1	DECAL, Danger, Electrocution
6		KS-0001		1	DECAL, Caution

# SAFETY SIGNS & DECALS

## Decals, Safety, Conveyor



1



2



WR1250

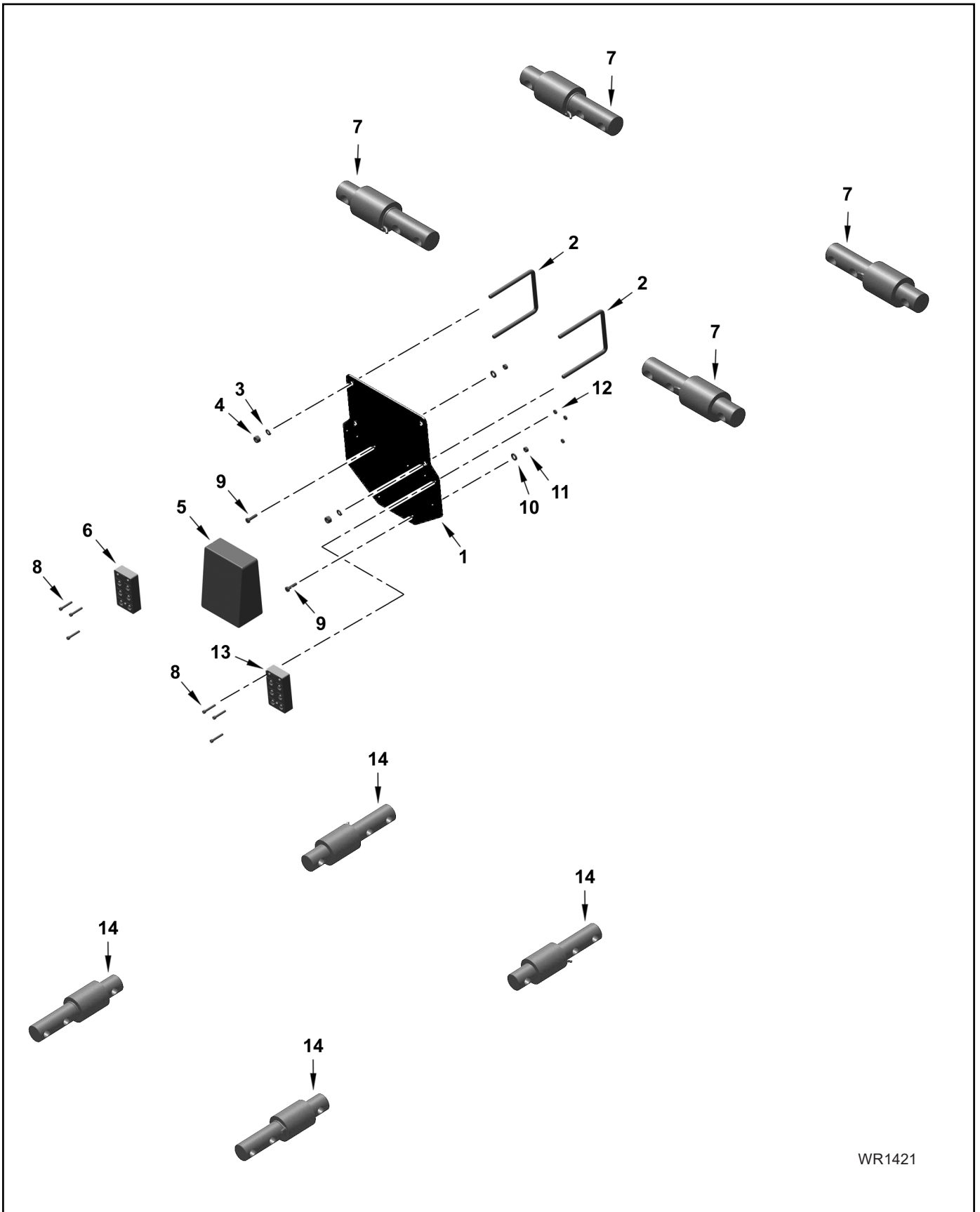
# SAFETY SIGNS & DECALS

## Decals, Safety, Conveyor

REF.	FN	Part Number	Series	Qty.	Description
1		KS-0006		1	DECAL, Danger, Do Not Operate With Door Open
2		KS-0014		1	DECAL, Important

# OPTIONS

## Scale Kit, Front & Rear Tank



WR1421



Scale Kit, Front & Rear Tank

REF.	FN	Part Number	Series	Qty.	Description
		360189		1	KIT, Digistar Scale, Rear Tank Inc. 1-12
1		360512		1	PLATE, Mounting
2		88385		2	U-BOLT, 3/8" - 16 NC x 4 x 5
3		88262		4	WASHER, Lock, 1/4"
4		88103		4	NUT, Hex, 3/8" -16, Gr. 5
5		360332		1	SCALE, Link, SL2140
6		354724		1	J - BLOCK, Digistar
7		354749		4	CELL, Load
8		88198		3	BOLT, 10 -24 x 1-1/4"
9		88203		4	BOLT, 1/4" - 20 NC x 1 Gr. 5
10		88362		4	WASHER, Helical, 3/8"
11		88172		4	NUT, Hex, 1/4" - 20
12		88194		3	NUT, Hex, 10 - 24 Gr. 2
		360330		1	KIT, Digistar, Front Tank, Inc. 8, 12, 13, & 14
13		354724		1	J - BLOCK, Digistar
14		354749		4	CELL, Load





